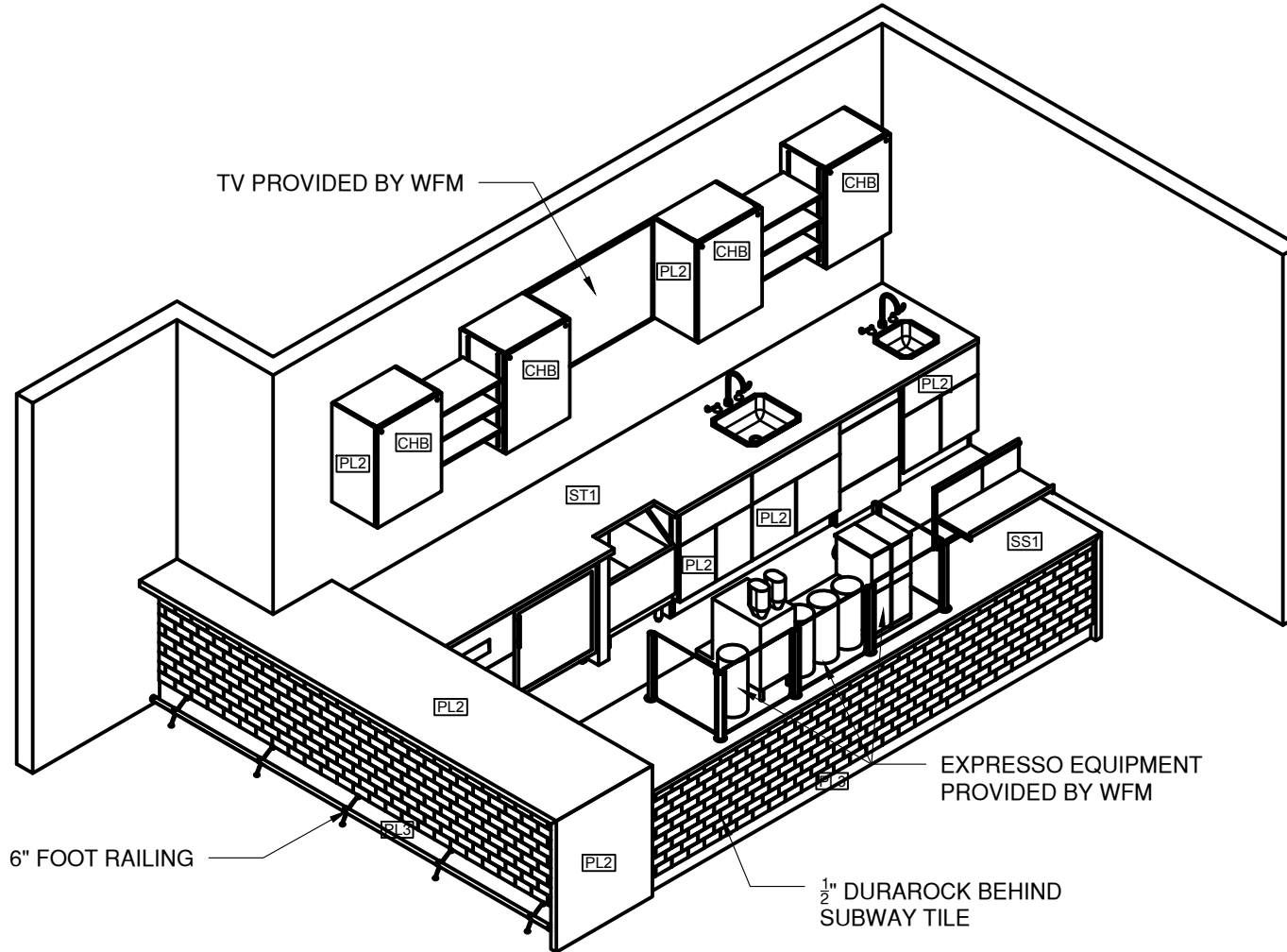


**SS1 = CONCRETE FINISHING**  
**PL2 = RUSTIC HICKORY**  
**ST1 = STAINLESS STEEL**  
**PL3 = BLACK**  
**CHB = CHALK BOARD**



**1** WFLCB16N1 - M902 COFFEE BAR  
**1** SCALE: 1/4" = 1'-0"

THIS PRINT PROPERTY OF



**CAPITAL WOOD PRODUCTS**

735 OLIVE STREET  
 SAINT PAUL, MN 55101-4436  
 PHONE (651) 225-5613  
 FAX (651) 225-9286

**M-MATERIAL**

**TOP = CONCRETE**  
**BODY = RUSTIC HICKORY**  
**BASE = 3195-65 BLACK LAMINATE**

**H-HARDWARE**

- H1 =
- H2 =
- H3 =
- H4 =
- H5 =
- H6 =
- H7 =
- H8 =
- H9 =

**F-FINISHES**

**SS1 = CONCRETE FINISHING**  
**PL2 = RUSTIC HICKORY**  
**ST1 = STAINLESS STEEL**  
**PL3 = BLACK**

**JOB NO**

WFM LEA

JOB NAME

WHOLE FOODS

JOB LOCATION

LEASIDE

DRAWING DESCRIPTION

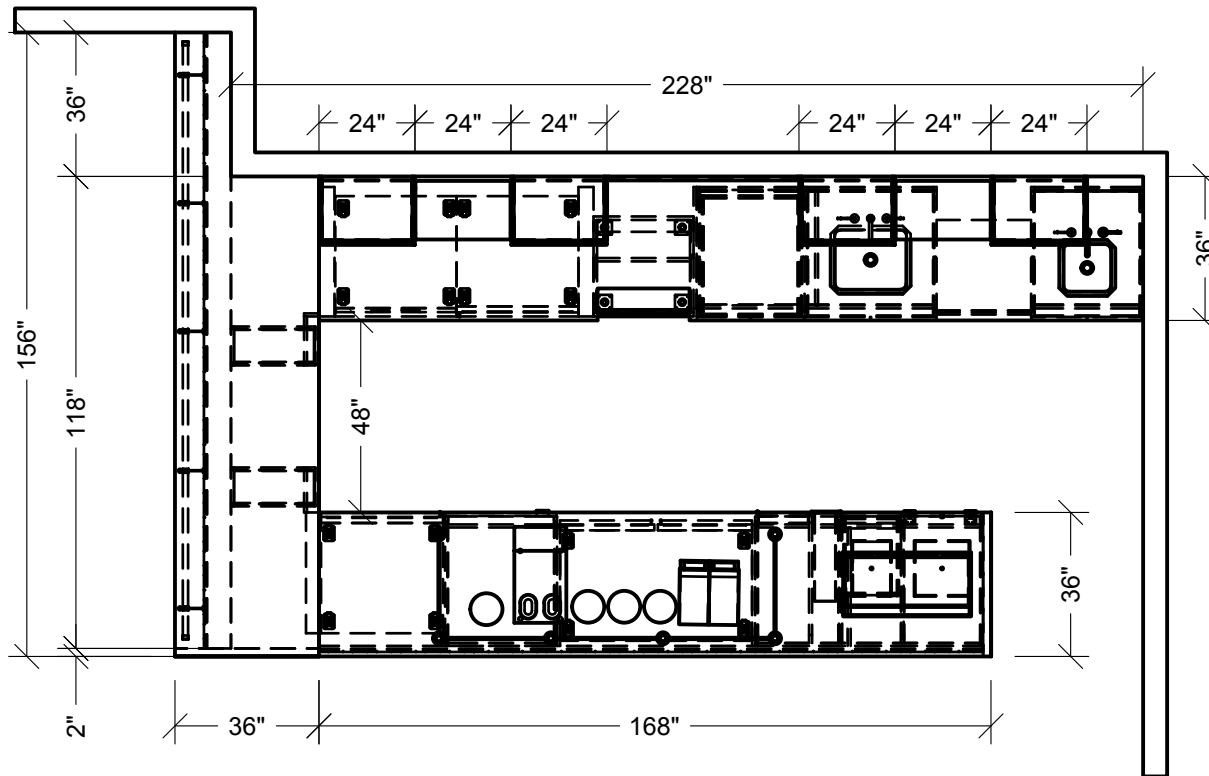
M902 - COFFEE BAR

**REVISIONS**

REVISION NO.	DATE	INIT
1		
2		

CAD NO.		S
WFLCB16N1		N
DRAWN BY	DATE	
EBK	11/11/16	1

**SS1 = CONCRETE FINISHING**  
**PL2 =RUSTIC HICKORY**  
**ST1 = STAINLESS STEAL**  
**PL3 = BLACK**  
**CHB = CHALK BOARD**



**1** PLAN VIEW  
**2** SCALE: 1/4" = 1'- 0"

THIS PRINT PROPERTY OF



**CAPITAL**  
**WOOD PRODUCTS**

735 OLIVE STREET  
 SAINT PAUL, MN 55101-4436  
 PHONE (651) 225-5613  
 FAX (651) 225-9286

**M-MATERIAL**

**TOP = CONCRETE**  
**BODY = RUSTIC HICKORY**  
**BASE = 3195-65 BLACK LAMINATE**

**H-HARDWARE**

- H1 =
- H2 =
- H3 =
- H4 =
- H5 =
- H6 =
- H7 =
- H8 =
- H9 =

**F-FINISHES**

**SS1 = CONCRETE FINISHING**  
**PL2 =RUSTIC HICKORY**  
**ST1 = STAINLESS STEAL**  
**PL3 = BLACK**

**JOB NO**

**WFM LEA**

**JOB NAME**

**WHOLE FOODS**

**JOB LOCATION**

**LEASIDE**

**DRAWING DESCRIPTION**

**M902 - COFFEE BAR**

**REVISIONS**

REVISION NO.	DATE	INIT
1		
2		

<b>CAD NO.</b>		<b>S</b>
<b>WFLCB16N1</b>		<b>N</b>
<b>DRAWN BY</b>	<b>DATE</b>	
<b>EBK</b>	<b>11/11/16</b>	<b>2</b>

**WOOD PRODUCTS**

735 OLIVE STREET  
 SAINT PAUL, MN 55101-4436  
 PHONE (651) 225-5613  
 FAX (651) 225-9286

M-MATERIAL

**TOP - CONCRETE**  
**BODY - RUSTIC HICKORY**  
**BASE - 3195-65 BLACK LAMINATE**

H-HARDWARE

H1 -  
 H2 -  
 H3 -  
 H4 -  
 H5 -  
 H6 -  
 H7 -  
 H8 -  
 H9 -

F-FINISHES

SS1 - CONCRETE FINISHING  
 PL2 - RUSTIC HICKORY  
 ST1 - STAINLESS STEEL  
 PL3 - BLACK

JOB NO.  
 WFM LEA  
 JOB NAME

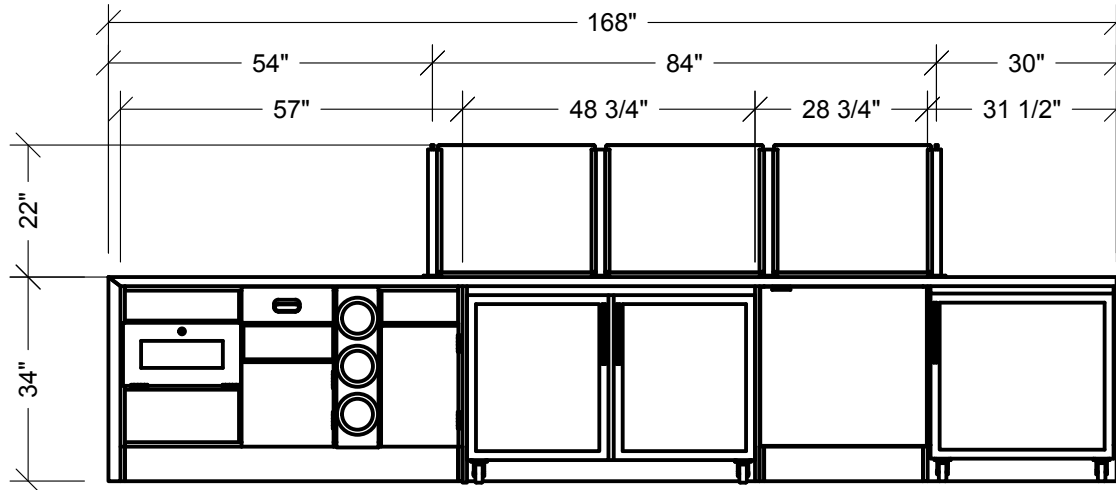
WHOLE FOODS  
 JOB LOCATION  
 LEASIDE

DRAWING DESCRIPTION  
 M902 - COFFEE BAR

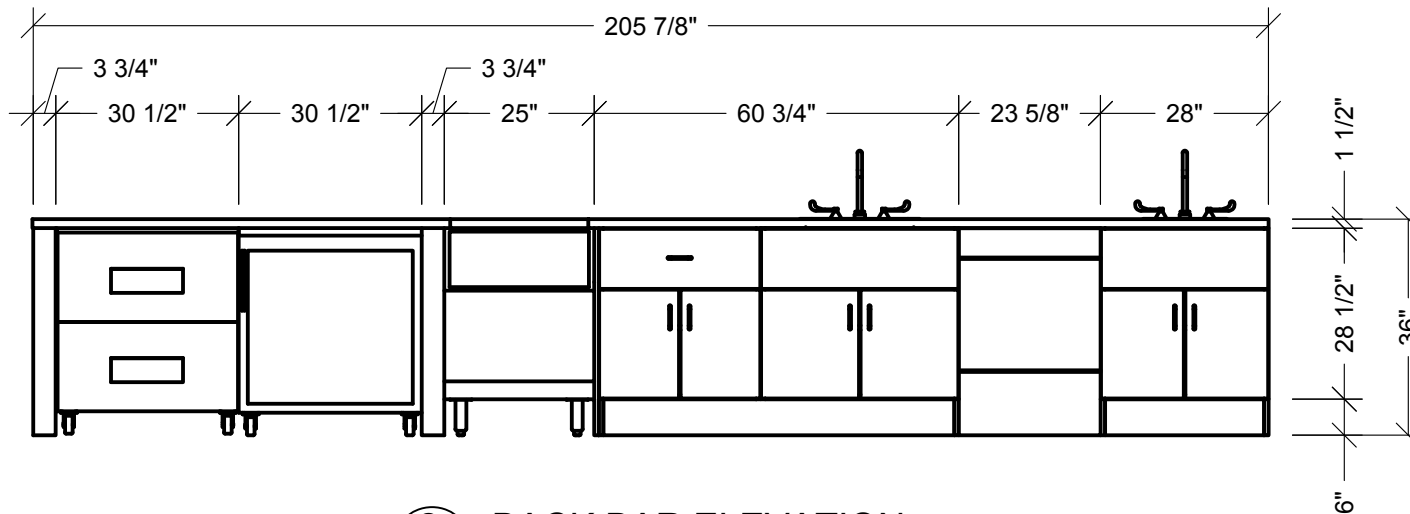
REVISIONS

REVISION NO.	DATE	INIT
1		
2		

CAD NO.		S
WFLCB16N1		N
DRAWN BY	DATE	
EBK	11/11/16	3



1 FRONT BAR ELEVATION  
 2 SCALE: 3/8" = 1'- 0"



2 BACK BAR ELEVATION  
 2 SCALE: 3/8" = 1'- 0"

1 PLAN VIEW  
 2 SCALE: 1/4" = 1'- 0"