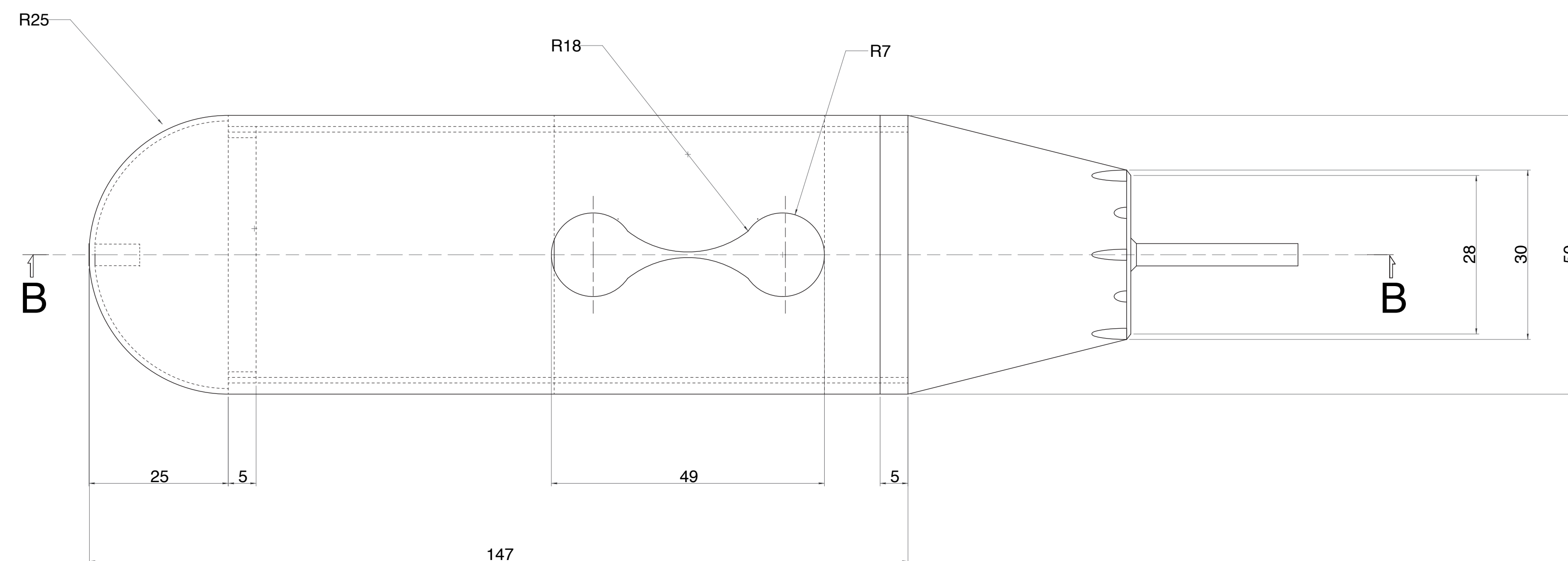


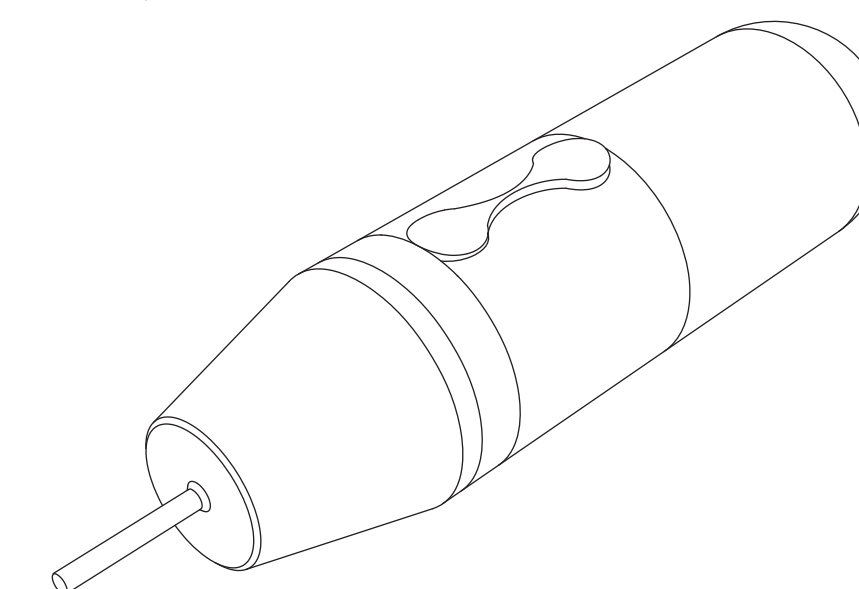
SECTION B-B
SIDE VIEW
PARTS (1,4,3,6,7,12) AVAILABLE ON DWG 1.01

FRONT VIEW

SIDE VIEW



TOP VIEW
FOR SECTION B-B VIEW ABOVE (SIDE VIEW)



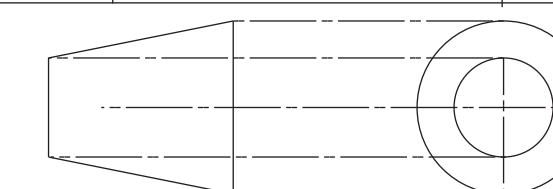
ISOMETRIC VIEW

NOTES
UNLESS OTHERWISE SPECIFIED: ALL MEASUREMENTS ARE IN MM
HIDDEN LINES USED TO SUGGEST CLARITY
ALL WALL THICKNESSES ARE 2MM UNLESS STATED
SIDE VIEW SECTION ADDED TO THIS DRAWING FOR CLARITY AND SIDE VIEWS ARE SYMMETRICAL

MATERIAL: TITANIUM BODY

	NAME	DATE
DRAWN BY	CLAUDIO MASSENZ	OCT 2011
CHECKED BY		

FINISH: WHITE/ORANGE/BLACK



neuro+

RHINOCEROS FILE

PROJECT		
CORDLESS MEDICAL DRILL		
TITLE		
GENERAL ASSEMBLY		

SCALE	DRG NO.	SHEET
1:1.5	1.02 OF 2	A2