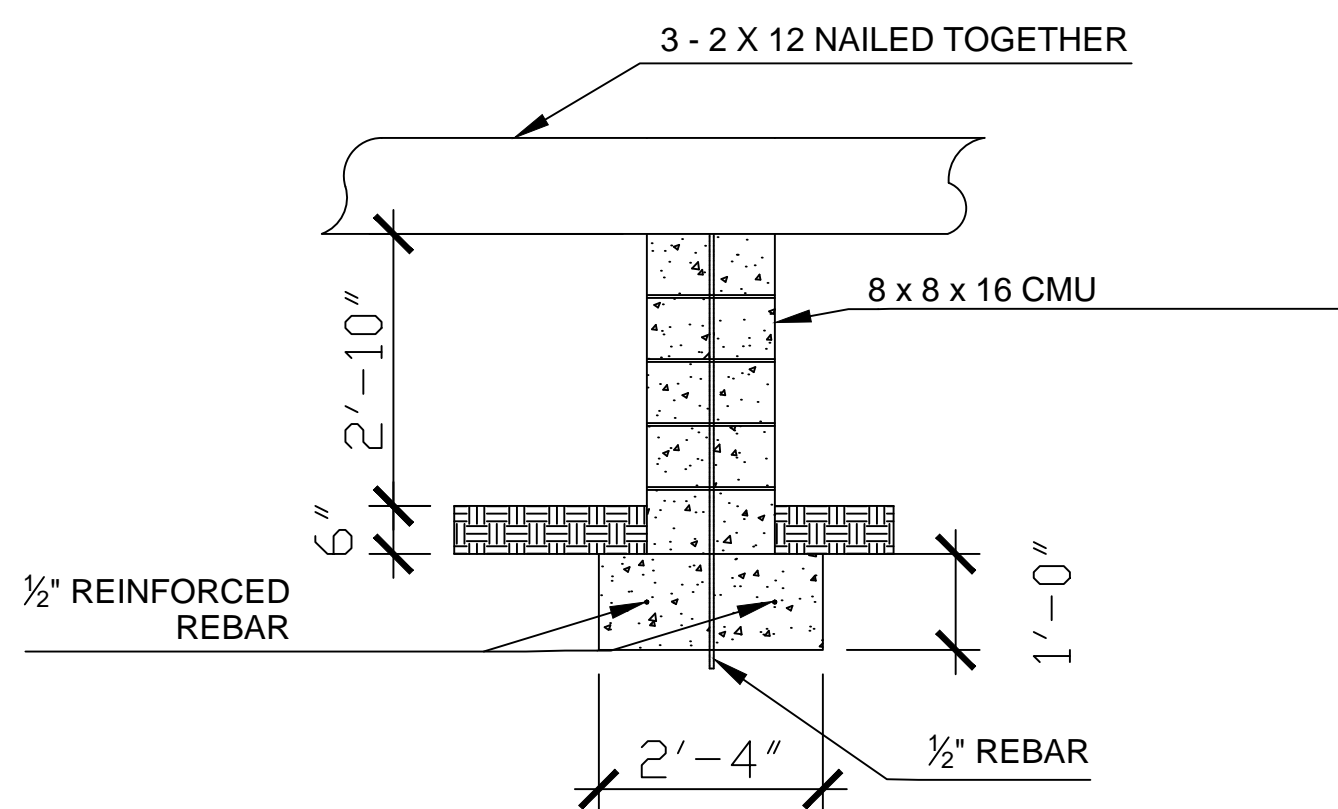
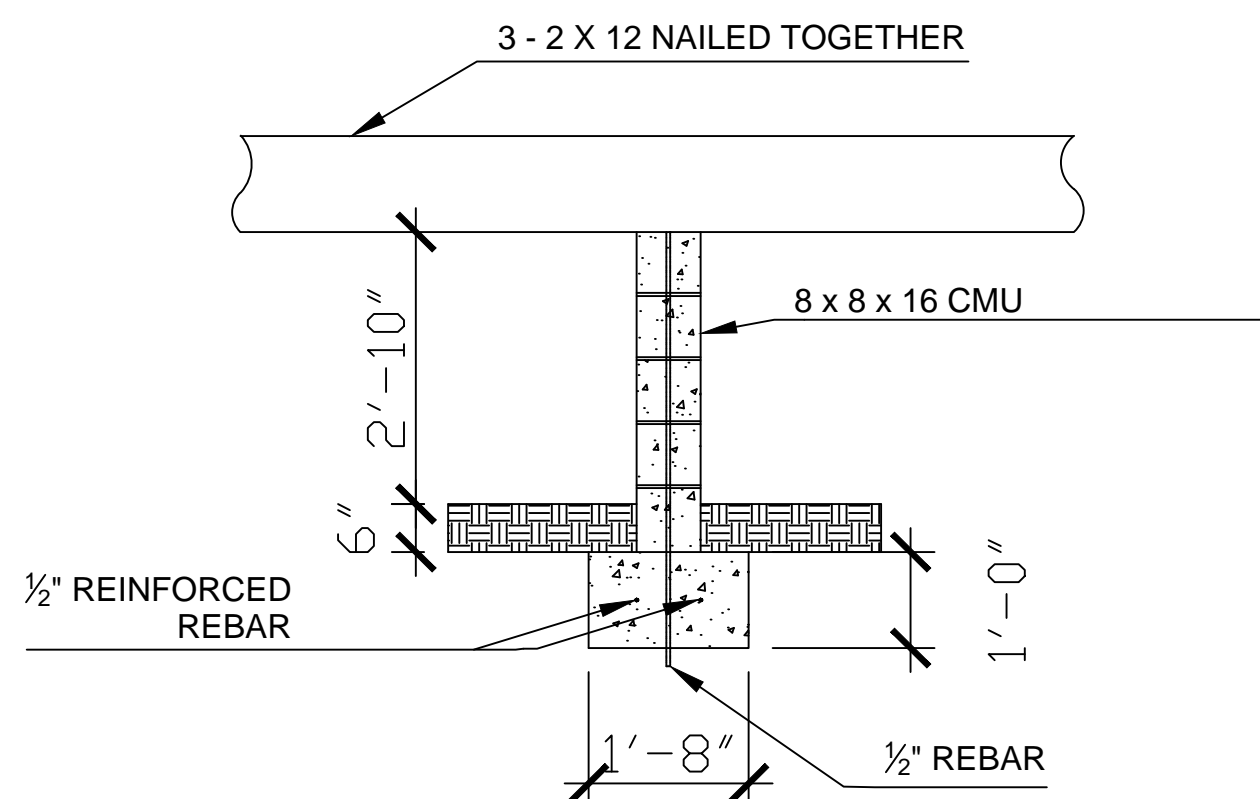


DETAIL A



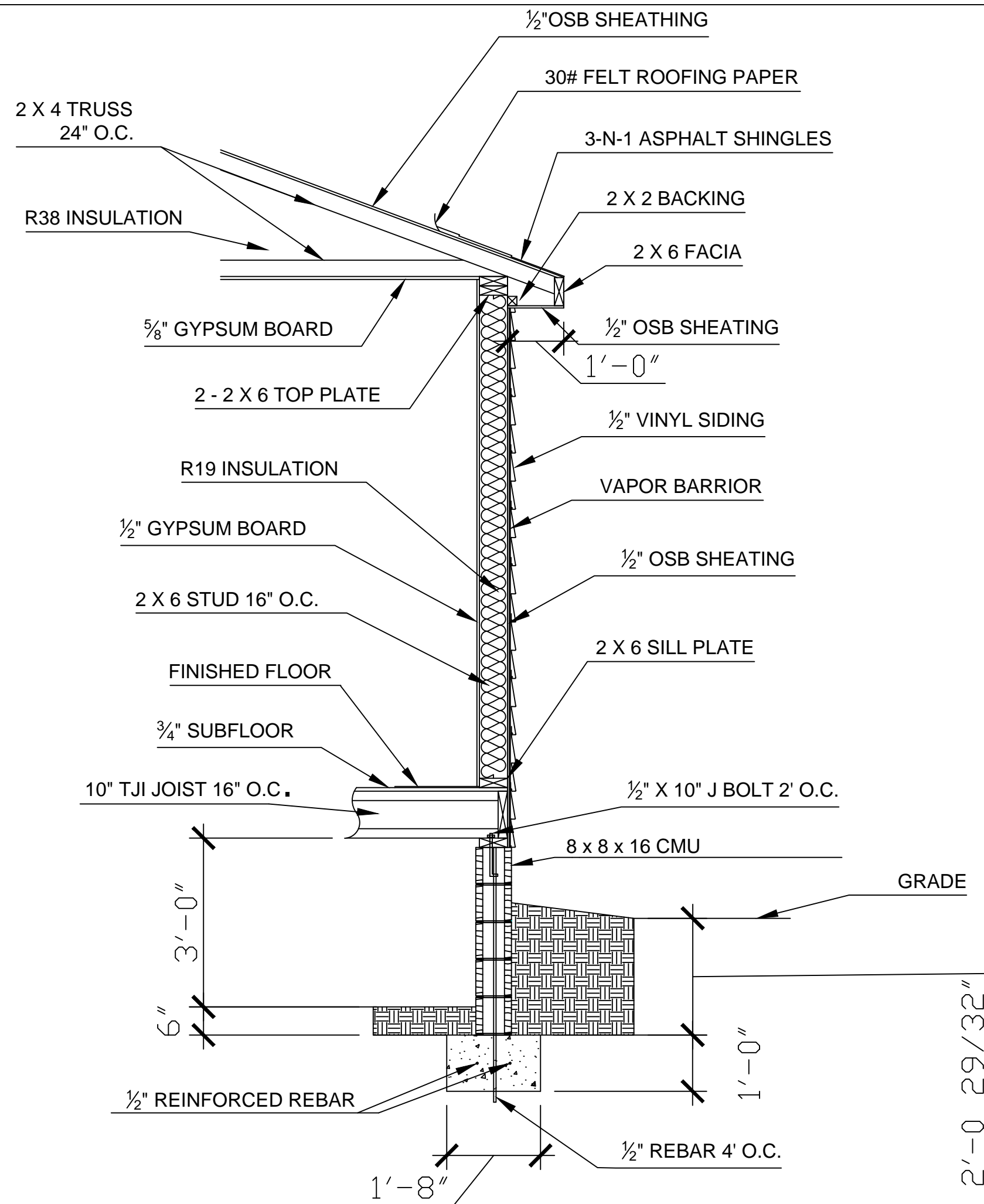
DETAIL B



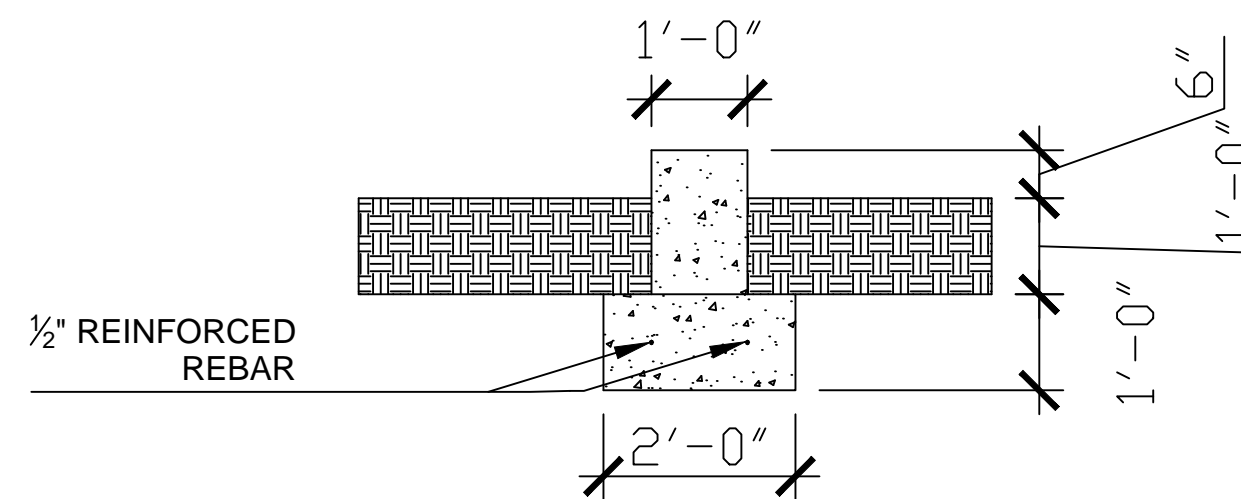
DETAIL C

DETAILS PLAN

SCALE: 1/2" = 1'-0"



WALL SECTION DETAIL



DETAIL D

DETAILS PLAN

REV.	Sheet No.: <b>A7</b>
Drawn By:	
Scale: 1/2" = 1'-0"	Date: