

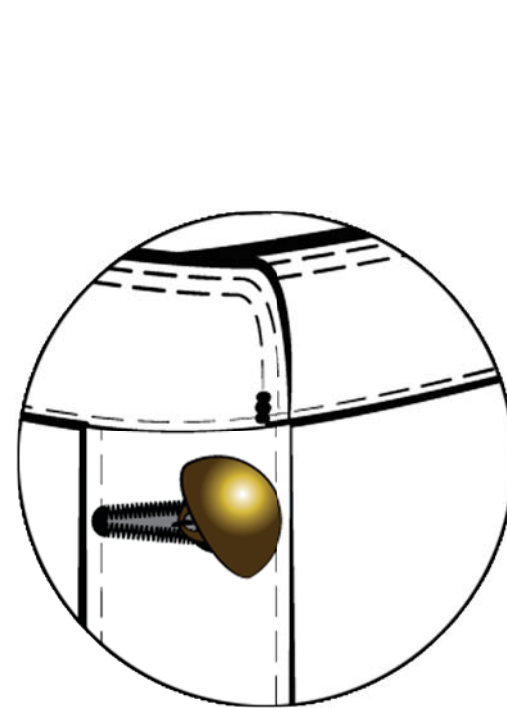
NAME	: Elisabetta Band Jacket	DESIGNER	: Juan Sim
SEASON	: Spring/Summer	STYLE NO	: CG-7609-1
BASE SIZE	: 2T	SIZE RANGE	: 2T - 6T
LABEL	: Tiny Juan	DIVISION	: Toddler
FABRICATION	: Denim (100% Cotton)	DATE	: 22 March 2012

CONSTRUCTION SHEET

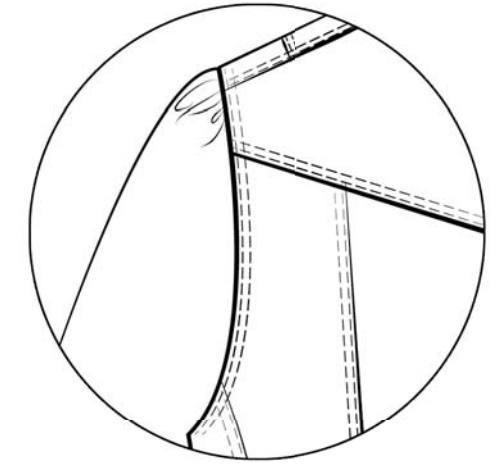
AREA	ASSEMBLING STITCH	SEAM FINISHES	TOPSTITCHING	INTERFACING	STITCHES PER INCH
side seams	five-thread overlock	five-thread overlock	n/a	n/a	9 stitches per inch
shoulder seams	five-thread overlock	mock flat felled seam	double needle	n/a	9 stitches per inch
front yoke seams	five-thread overlock	mock flat felled seam	double needle	n/a	9 stitches per inch
front middle panel seams	five-thread overlock	mock flat felled seam	double needle	n/a	9 stitches per inch
front side panel seams	five-thread overlock	mock flat felled seam	double needle	n/a	9 stitches per inch
back side panel seams	five-thread overlock	mock flat felled seam	double needle	n/a	9 stitches per inch
front pockets	single needle	clean-finished	1/8 edge stitch	n/a	9 stitches per inch
pocket flaps	single needle	clean-finished	1/8 edge stitch	n/a	9 stitches per inch
collar	single needle	clean-finished	double needle	n/a	9 stitches per inch
front placket	single needle	clean-finished	1/8 edge stitch	n/a	9 stitches per inch
armholes	single needle	five-thread overlock	double needle	n/a	9 stitches per inch
hemline	n/a	3/8 clean-finished	single needle	n/a	9 stitches per inch
front panel	n/a	n/a	double needle	n/a	9 stitches per inch
front facing	n/a	single needle	double needle	n/a	9 stitches per inch

CLOSURE	SIZE	STYLE
shank button	24 L	rustic metal
button hole/placket	1"	horizontal straight, machine made

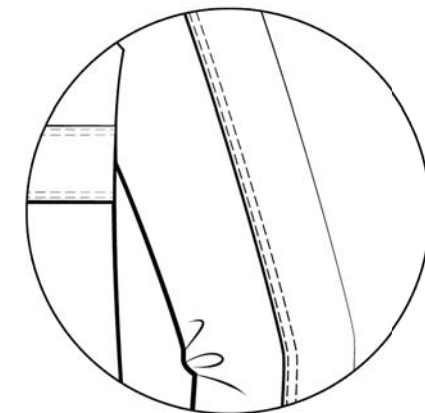
MISCELLANEOUS	WASH	THREAD COLOR
	enzyme wash	
topstitches		beige
seams		beige



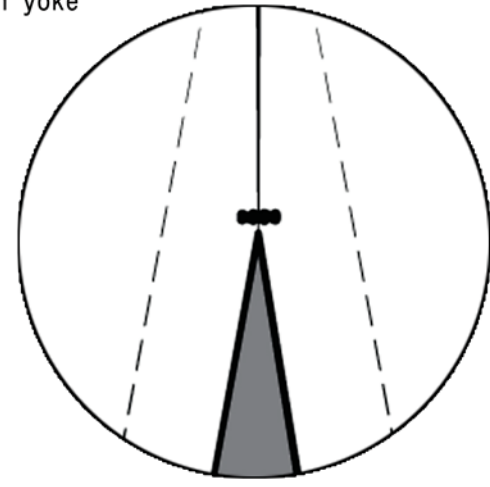
bartacks on collar
24 L shank button
machine buttonhole
single-needle edge stitch
double-needle edge stitch
on outer edge of collar
1/8 edge stitch on placket



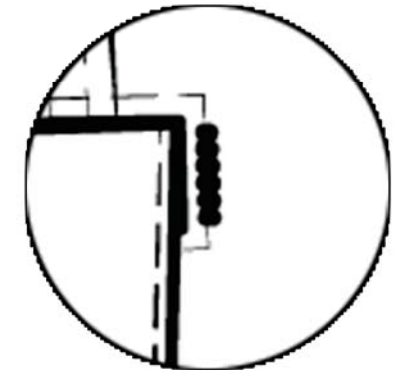
gathers on sleeve caps
double-needle topstitching on armholes
double-needle topstitching on yoke



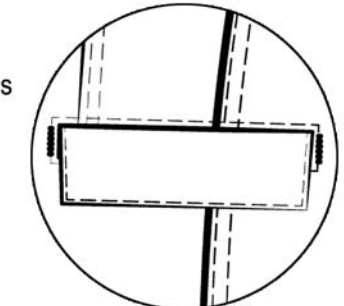
mock flat felled seam on sleeves



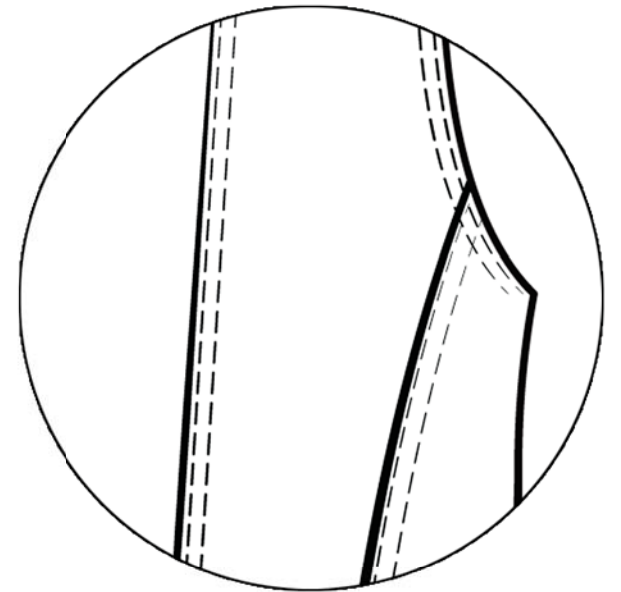
bartacks on slit



bartacks on corners of pockets



1/8 edge stitch on pocket flaps



mock flat felled seam on princess seams