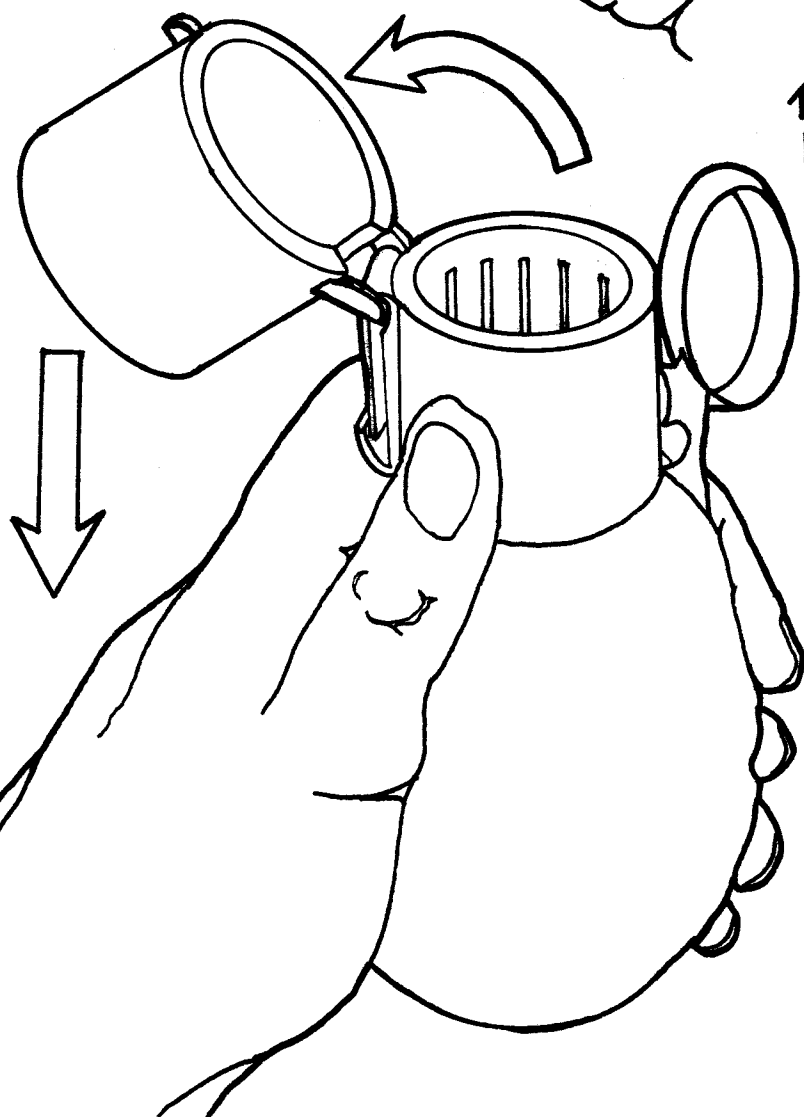
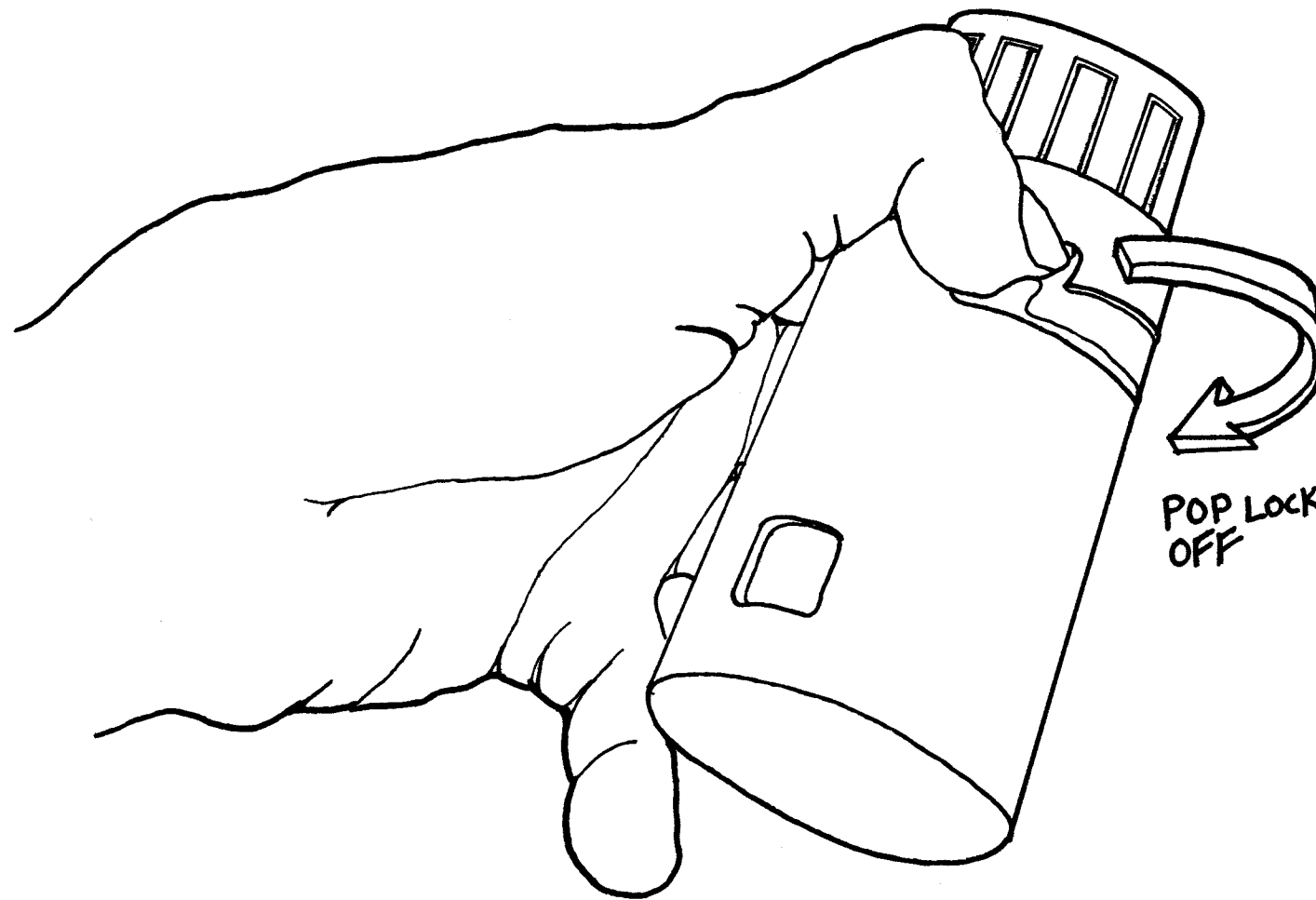


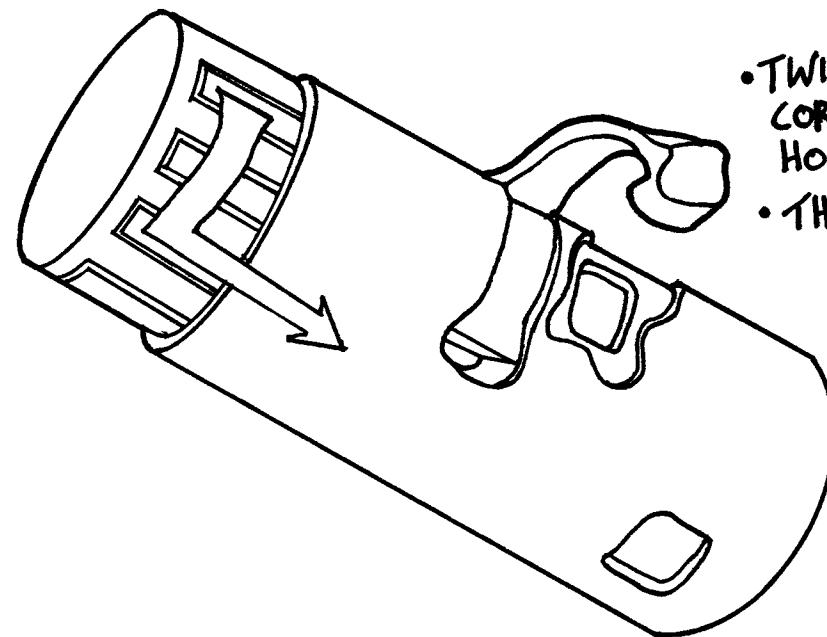
PULL LOOP OUT  
AND LIFT TOP



THEN FLI LID  
BACK AND  
DOWN



POP LOCK  
OFF



- TWIST AND SLIDE  
CORE IN TO ALIGN  
HOLES
- THEN POUR