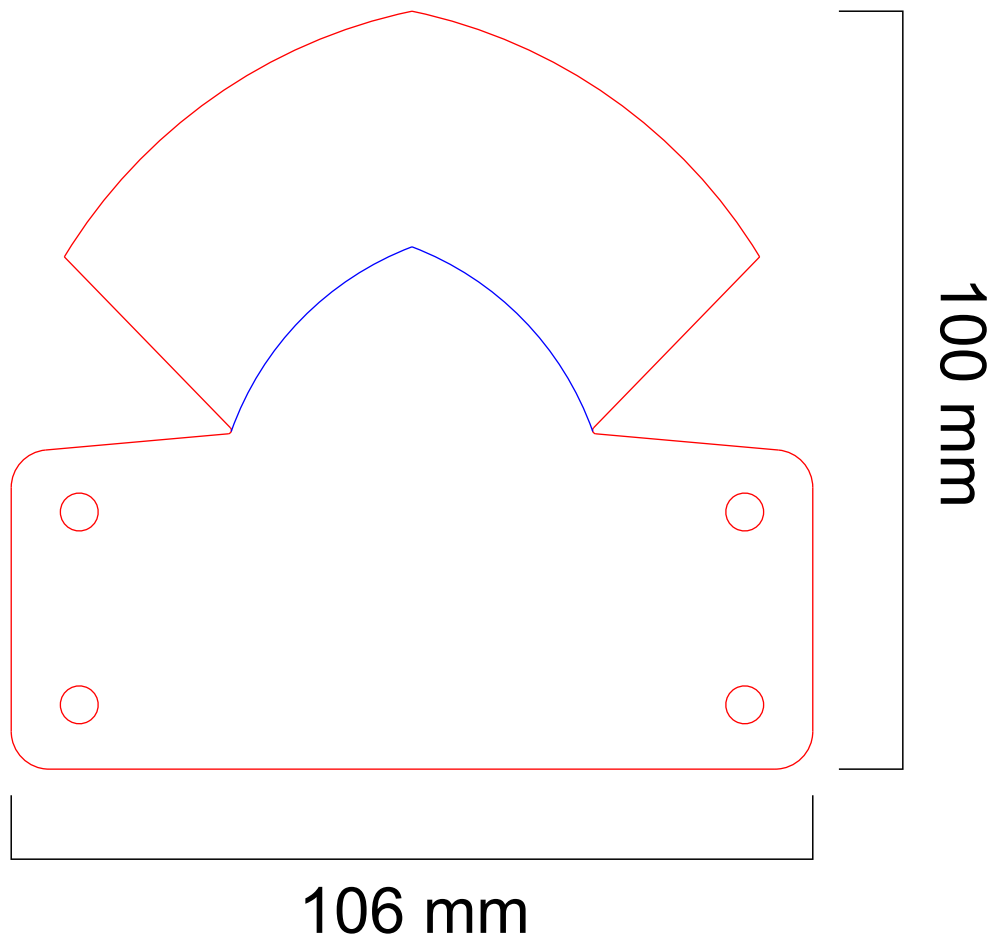


# Lightweight front derailleur mudguard for a 30,9 mm seat tube.



Print and cut. Blue lines mark a score or partial cut for the fold.

1,2 mm rubber sheet  
2 zip ties



Install to a place that  
best fits.



Make sure everything works and  
cut the zip ties to length.

