

EX2-36.dwg

08.07.2008

MICHAEL\_ALEX

4

3

2

1

D

D

C

C

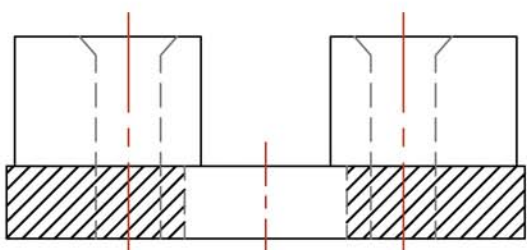
B

B

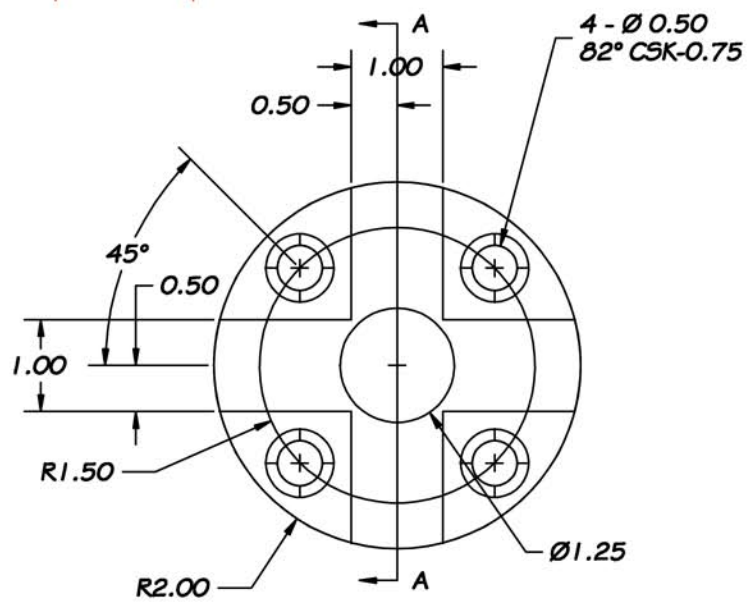
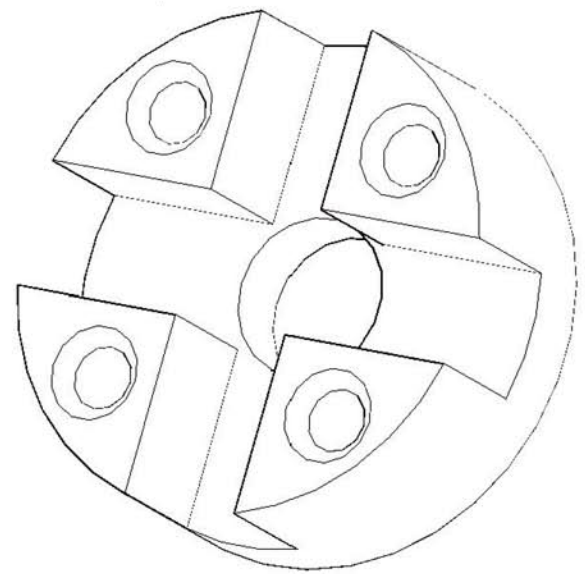
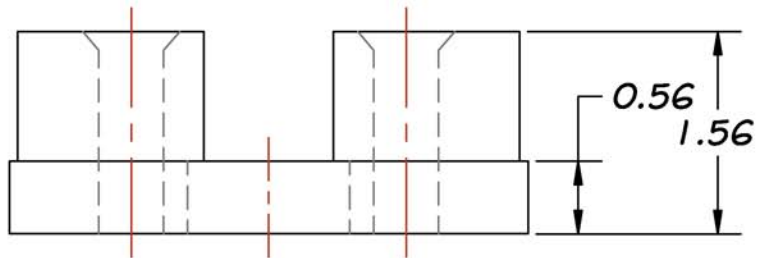
A

A

REVISIONS				
ZONE	REV	DESCRIPTION	DATE	APPROVED



SECTION A



FILE NAME	EX2-36.dwg			
CONTRACT NO				
DRAWN	11/6/2008			
CHECK				
APPR.				
ISSUED				
SIZE	FSCM NO	DWG NO	REV	
SCALE	S.T.F.	WEIGHT	SHEET 1	

4

3

2

1