

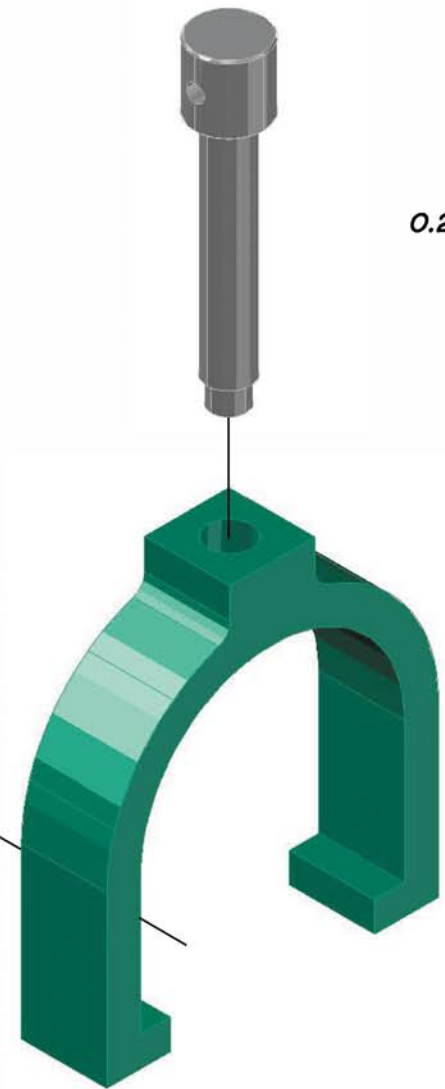
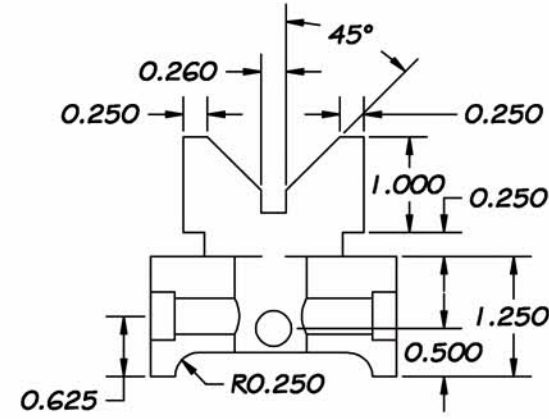
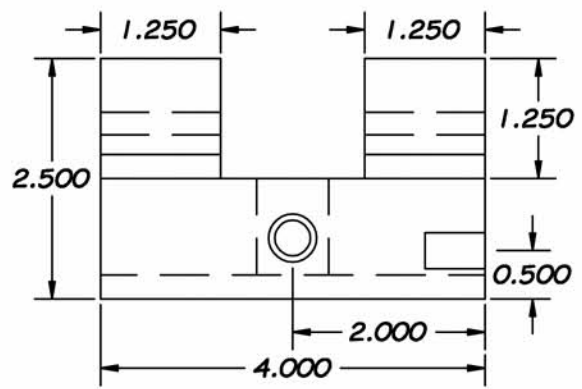
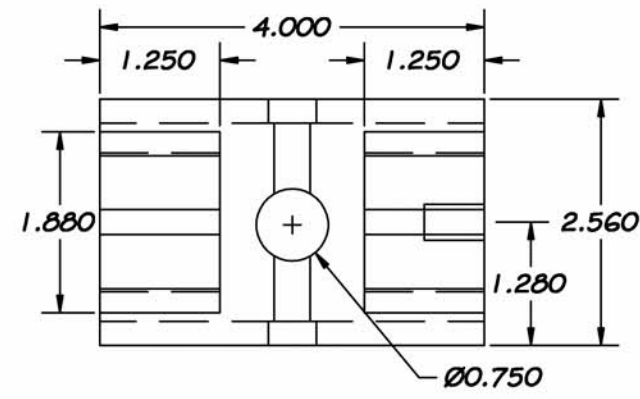
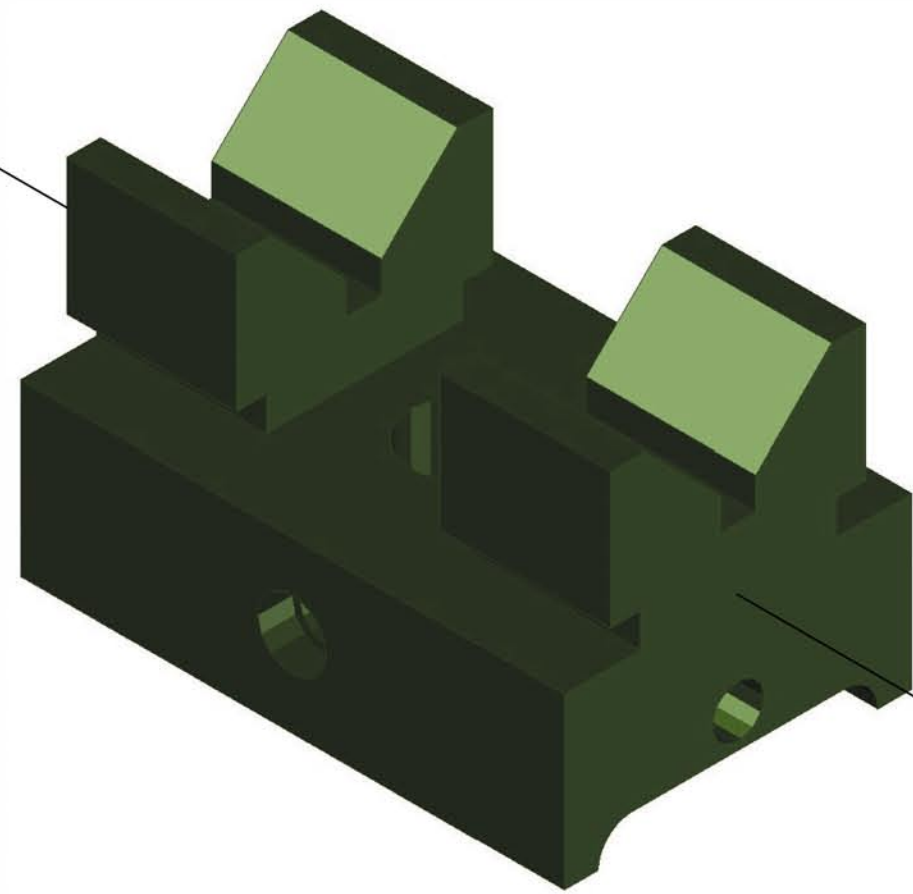
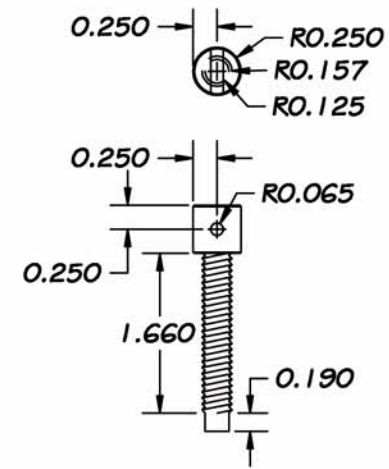
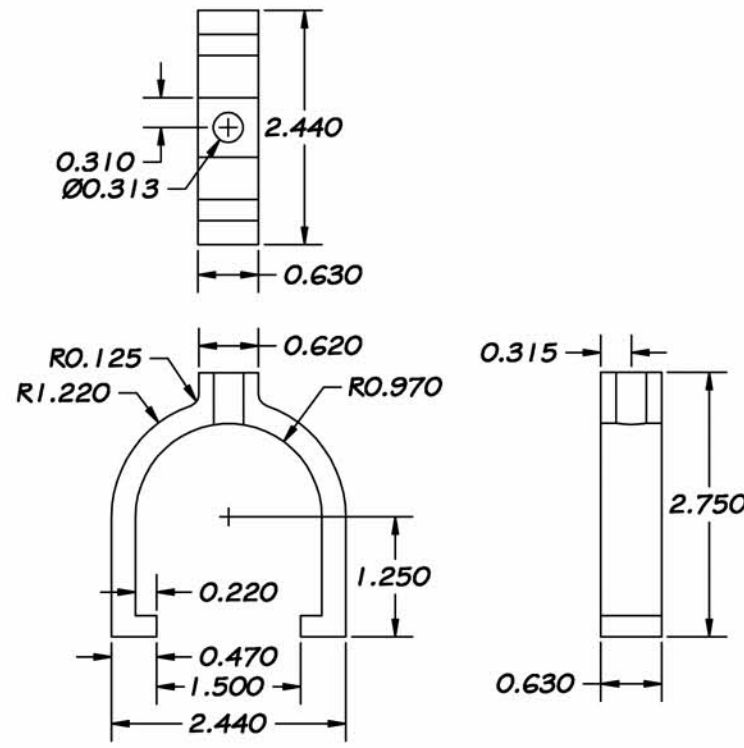
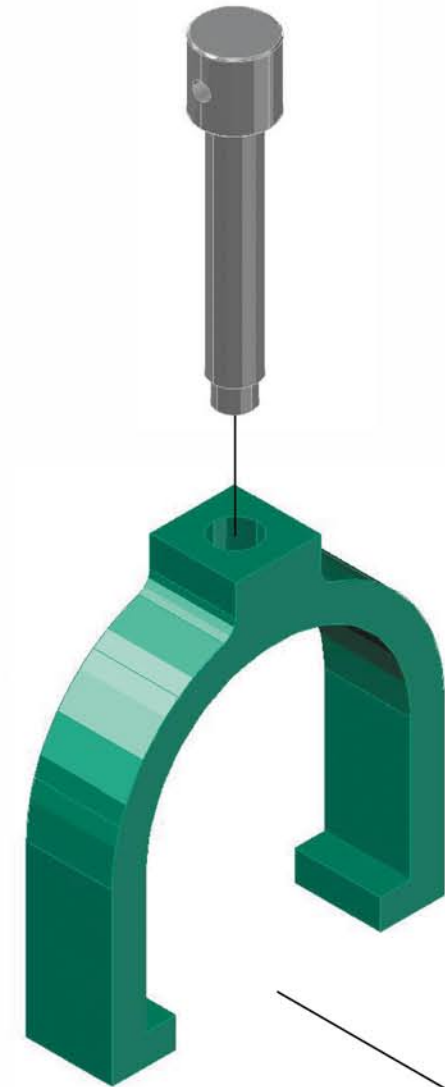
4

3

2

1

REVISIONS				
ZONE	REV	DESCRIPTION	DATE	APPROVED



CONTRACT NO
DRAWN 11/6/2008
CHECK
APPR.
ISSUED

3D FINAL

SIZE	FSCM NO	DWG NO	REV
		4 - ASSEMBLY	
SCALE 1:1	WEIGHT	SHEET 4-4	

4

3

2

1