

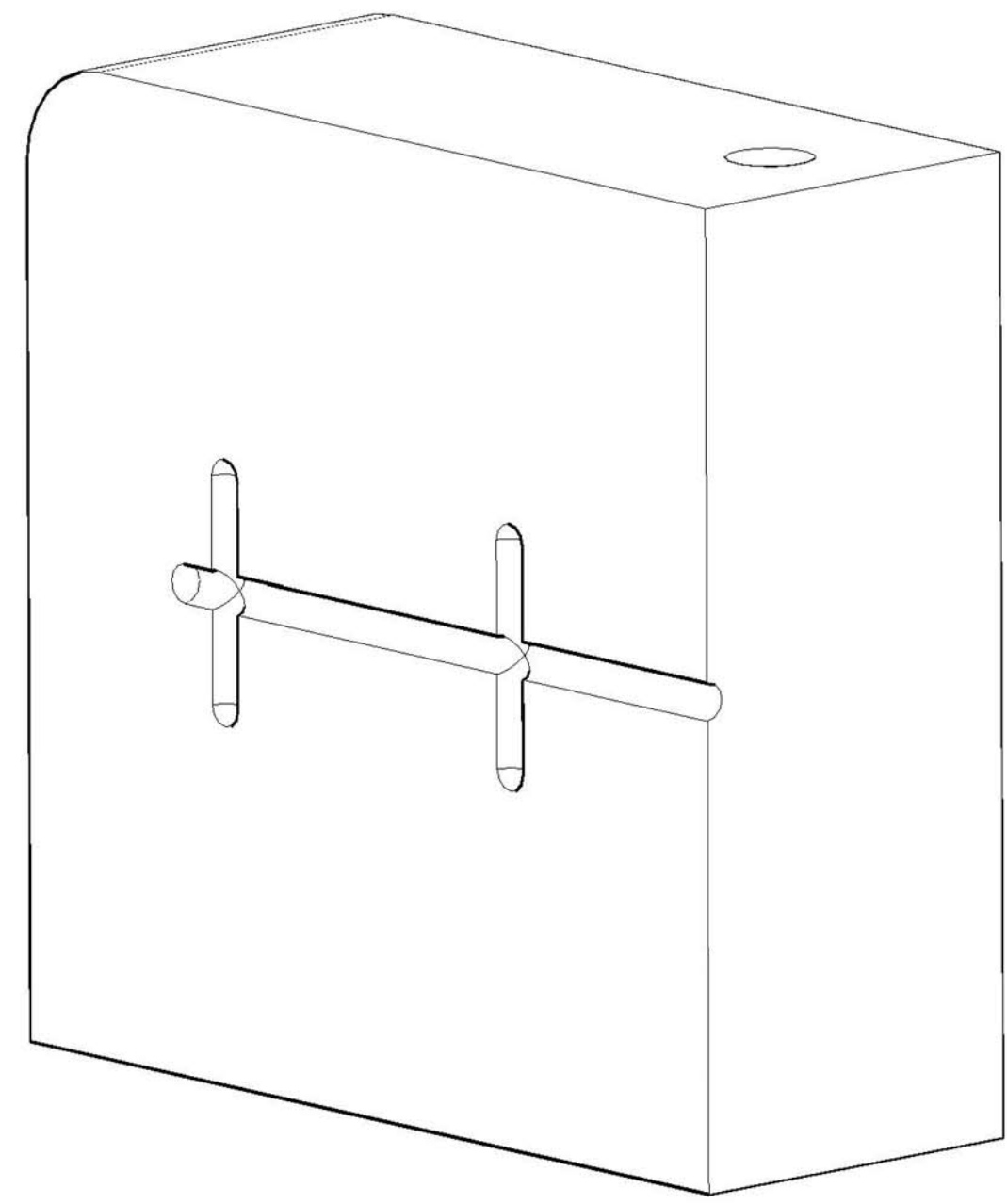
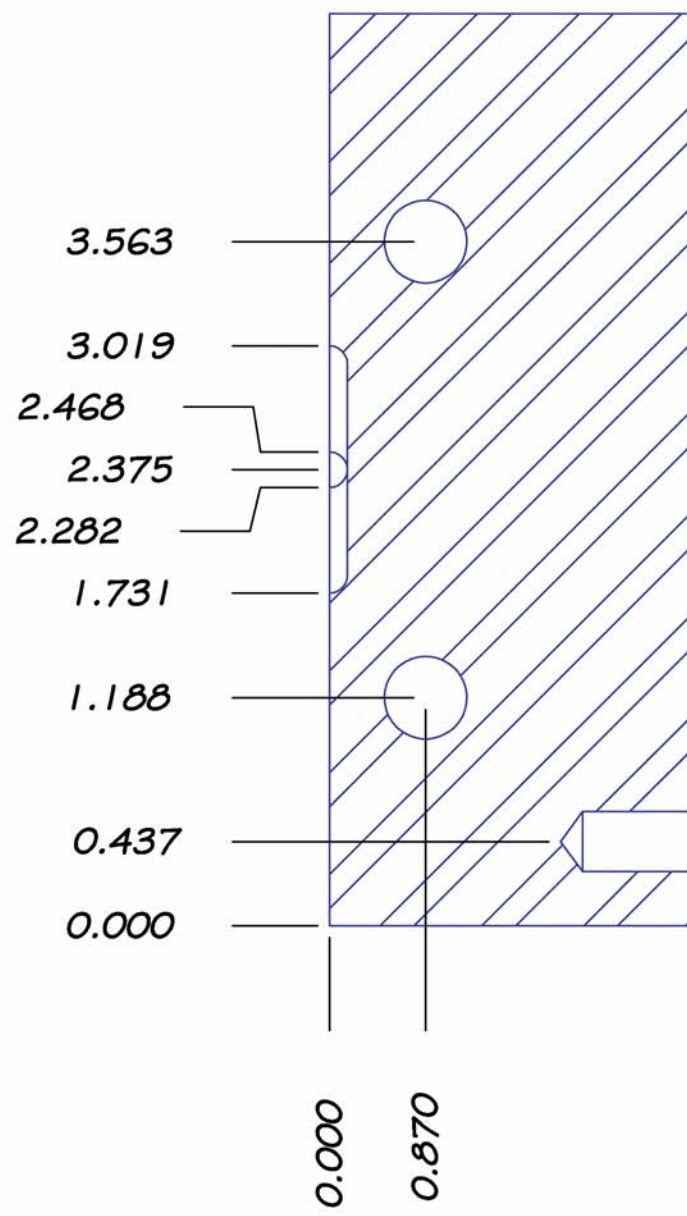
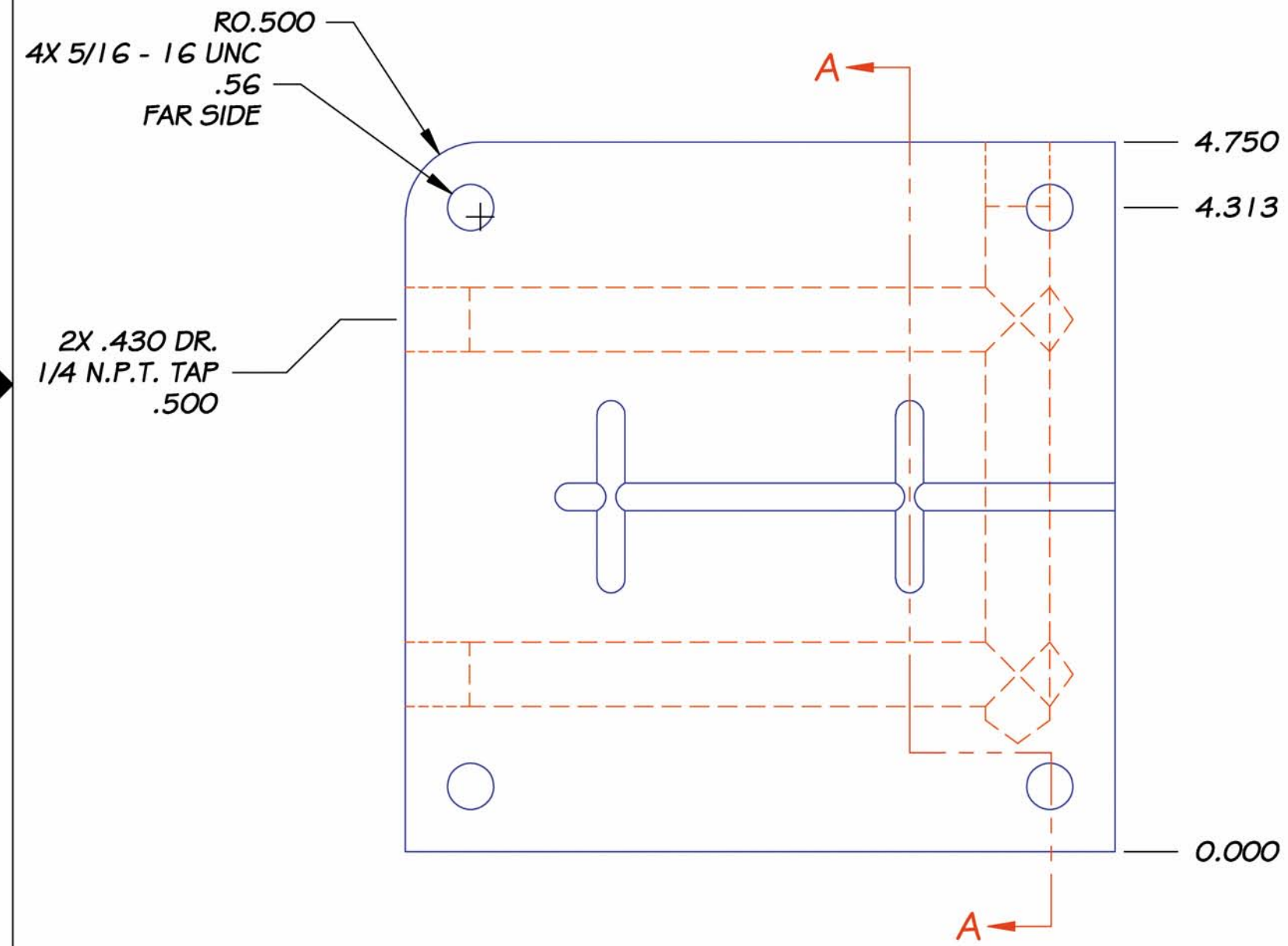
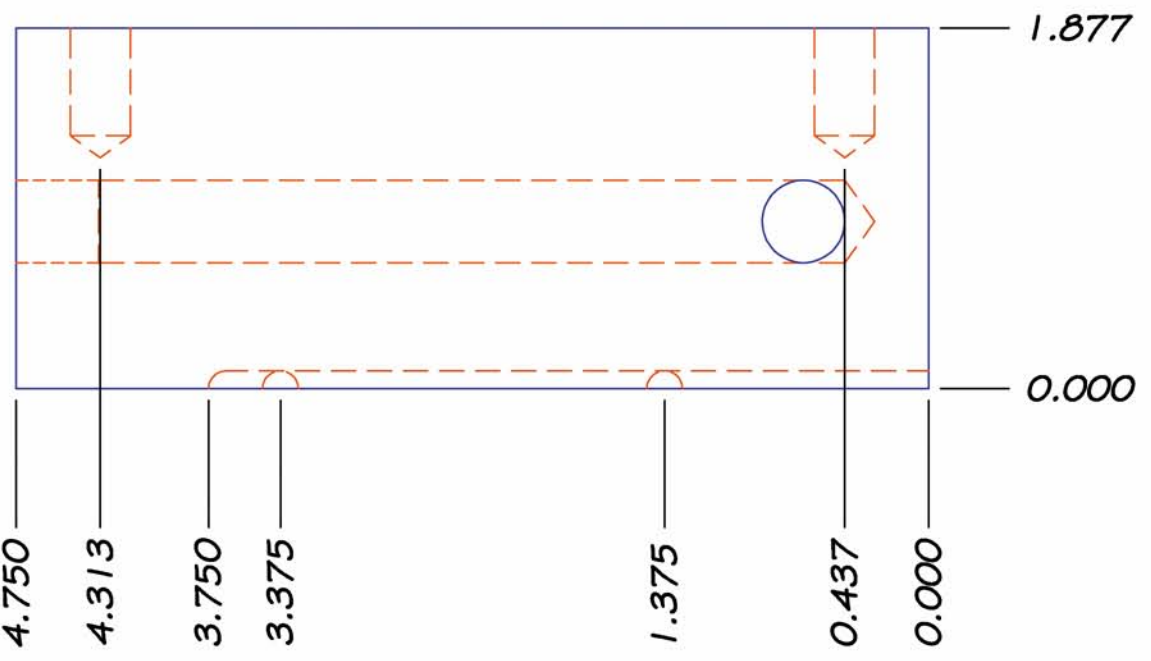
4

3

2

1

REVISIONS				
ZONE	REV	DESCRIPTION	DATE	APPROVED



- NOTES:**
 1. **MATL. - AISI P20**
 2. **SURFACE HARDENING - CARB. .0625 DP.**
 3. **HARDNESS - R/C 55-58**

SECTION A-A

FILE NAME				
CONTRACT NO				
DRAWN 7/16/08	CD220 LAB 4-2			
CHECK				
APPR.				
ISSUED				
	SIZE	FSCM NO	DWG NO	REV
		-		
	SCALE S.T.F.	WEIGHT	SHEET 1	

4

3

2

1

D

D

C

C

B

B

A

A