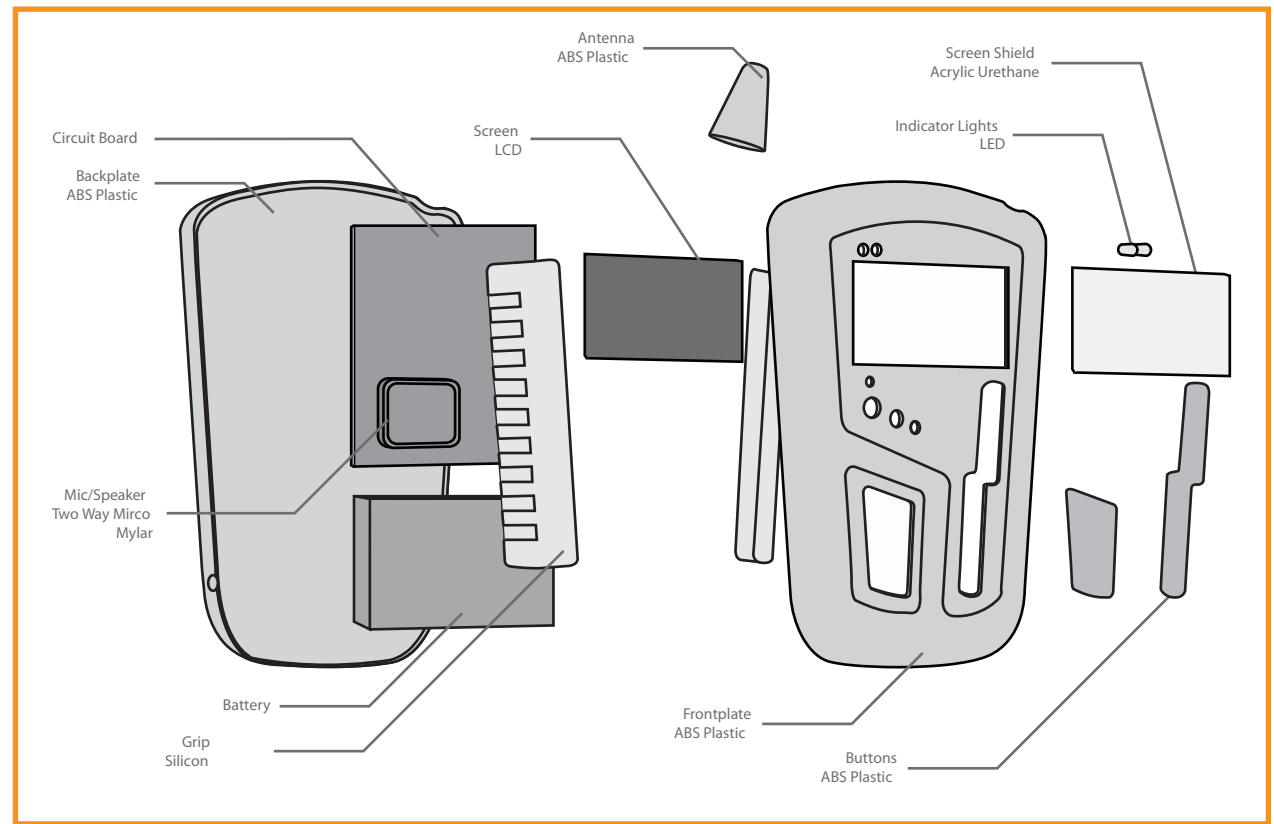




Power On/Off



Battery Indicator



Channel +/-



Volume +/-



Push to Talk



Communication
Device
Interface