

LIGHTNING DESIGN

120 N. LOCUST ST
REEDSBURG WI, 53959
608-495-1352

THIS DRAWING MAY NOT BE REPRODUCED
WITHOUT THE EXPRESSED WRITTEN
CONSENT OF LIGHTNING DESIGN

STAMP

PROJECT NAME

HOUSE
PLANS

DRAWN BY: BRANDON EICHSTADT
CHECKED BY: _____
DATE: _____
PRINTED: _____

REV. NO.	REV. NAME	DESCRIPTION

DRAWING NAME

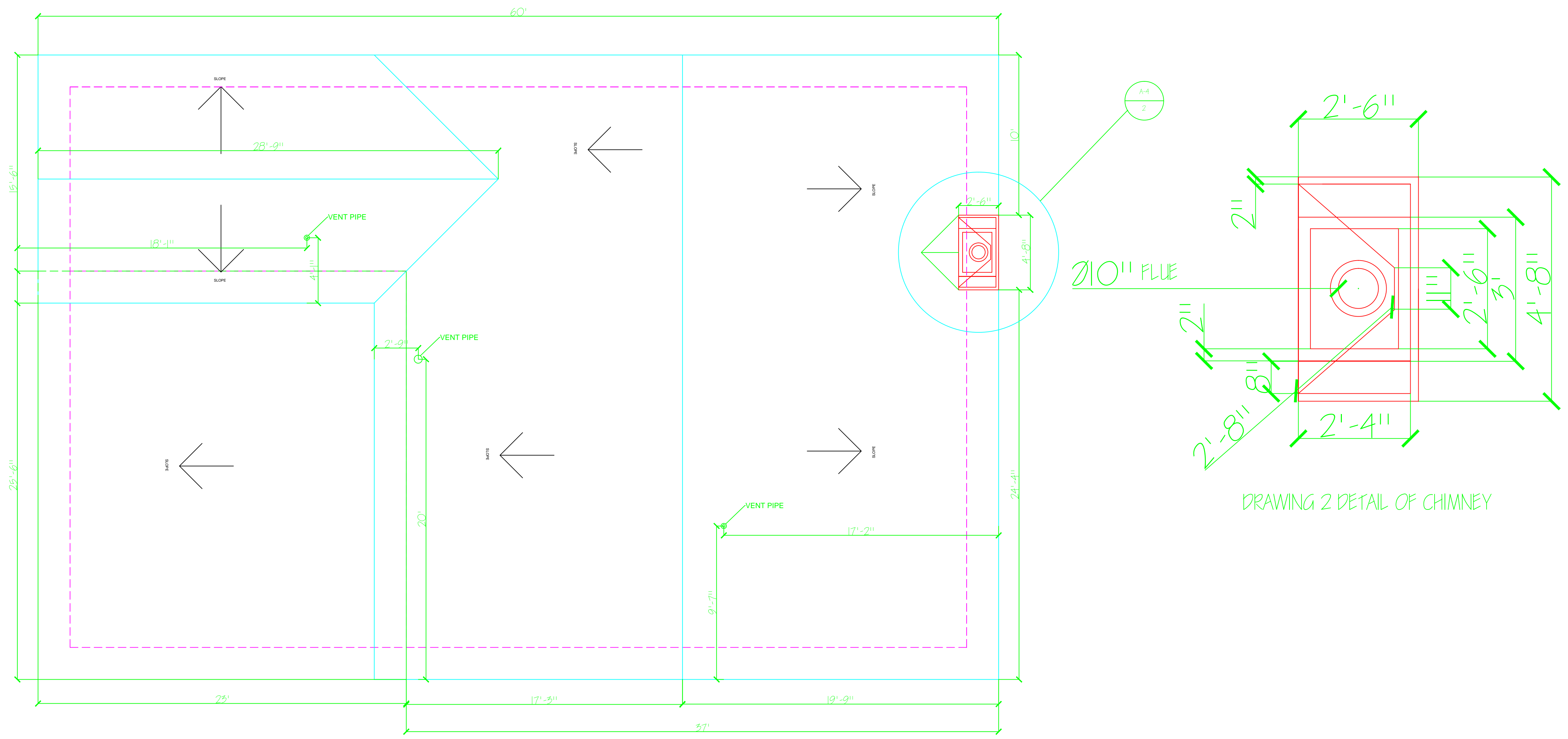
SCALE:
1/4" = 1' - 0"

DRAWING NUMBER

A-4

BRANDON EICHSTADT

PRODUCED BY AN AUTODESK EDUCATIONAL PRODUCT



DRAWING 1 ROOF PLANS

SCALE: 1/4" = 1'-0"



PRODUCED BY AN AUTODESK EDUCATIONAL PRODUCT