

**GENERAL INSTALLATION NOTES:**

PLEASE REFER TO THE FOLLOWING INSTALLATION NOTES UNLESS OTHERWISE NOTED.

**PERIMETER WALL TEXT, LIFESTYLE IMAGES, AND WALL LOGOS:**

THE PERIMETER WALL DECOR IS TO BE CENTERED VERTICALLY IN BETWEEN THE BOTTOM OF THE MAP GRAPHIC AND THE BOTTOM OF THE CEILING MOUNTED FLUORESCENT LIGHTING TUBES. IF THE LIGHTING IS LAY-IN AND NOT EXPOSED THEN THE TEXT WILL BE MOUNTED IN BETWEEN THE CEILING LINE AND THE BOTTOM OF THE MAP GRAPHIC. REFER TO DETAIL "A" FOR DIAGRAM.

**PERIMETER WALL MAP GRAPHIC:**

GENERALLY THE WALL MAP GRAPHIC FOLLOWS THE PERIMETER OF THE ENTIRE PANTRY SITE EXCLUDING SECONDARY TENANTS. THE LOCATION OF THE MAP GRAPHIC WILL BE SHOWN AS A BROWN BOLD HIDDEN LINE ON THE OVERHEAD PLANS. THE MAP GRAPHIC IS TO BE MOUNTED WITH THE TOP FLUSH WITH THE CEILING LINE. THE MAP IS TO BE CROPPED AND FOLDED AS NEEDED AT SEAMS, WINDOWS, DOORWAYS, AND SOFFITS. WHEN THE MAP RUNS INTO THE "H" CHANNEL OR CORNER BRACES ON FRP PANELING, THE GRAPHIC SHOULD BE PULLED CREASED TIGHT TO CHANNEL THEN PULLED OVER CHANNEL CREASED TIGHT ON THE OTHER SIDE THEN PULLED FLUSH TO FRP. THEN GO BACK AND GENTLY SLICE GRAPHIC AT CREASED LINES. REFER TO DETAIL "C" FOR DIAGRAM.

**HANGSIGNS:**

ALL HANG SIGNS WILL HAVE AN A.F.F. DIMENSION LOCATED ON THE ELEVATIONS AND ALSO ON THE OVERHEAD DECOR PLAN IN NOTE FORM. FOR THE CHILL ZONE HANG SIGN, THE BOTTOM OF THE SIGN IS TO LINE-UP WITH THE TOP OF THE SODA FOUNTAIN, SO THAT THE ICE MAKER IS COVERED BY THE SIGN. PLEASE FOLLOW THIS RULE UNLESS OTHERWISE NOTED. SIGNS SUPPLIED BY THE PANTRY WILL BE NOTED AS SUCH ON THE PLANS. MAKE SURE ALL CEILINGS AND CEILING GRIDS FOLLOW THE CURRENT MANUFACTURING SPECS. FOR SUPPORT AND SAFETY. PROGRAMMED PRODUCTS CORP. IS NOT RESPONSIBLE FOR DAMAGE CAUSED BY FAULTY CEILING SUPPORT.

**THE CHILL ZONE GRAPHICS:**

ALL CHILL ZONE CABINET AND WALL GRAPHICS ARE SUPPLIED WITH GENERAL LOCATIONS LABELED ON THE BACKSIDE. THE GRAPHICS ARE SUPPLIED WITH 12" OF BLEED ON THE TOP AND ENDS. TRIM OR TUCK AS NEEDED DURING INSTALLATION. FOR CHILL ZONES THAT HAVE HEADER PANELS, THE HEADER GRAPHICS ARE SUPPLIED WITH 4" OF BLEED TOP AND BOTTOM. TRIM OR TUCK AS NEEDED. THE CHILL YOUR THIRST PIPE IS TO BE LOCATED OVER THE SODA FOUNTAIN MACHINE WHILE THE FREEZE YOUR THIRST PIPE IS TO BE LOCATED OVER THE F.C.B. MACHINE. THERE ARE 2 DIFFERENT TYPES OF PIPE SIGNAGE. HANGING AND BRACKET MOUNTED. BRACKET MOUNTED IS USED WHEN THE CHILL ZONE IS COMPLETELY FLAT WITH NO HEADER PANEL. IN THIS CASE THE PIPE IS MOUNTED SO THAT IT COVERS THE BOTTOM OF THE CUP GRAPHIC. WHEN THERE IS A SOFFIT OR HEADER PANEL PEICE, THEN THE PIPES WILL HANG FROM THIS CENTERED IN BETWEEN THE BOTTOM OF THE HEADER AND THE TOP OF THE SODA FOUNTAIN MACHINE. REFER TO DETAIL "B" FOR DIAGRAM. FOLLOW THE MAIN CHILL ZONE PAGE THAT IS SUPPLIED BY THE DECOR COMPANY FOR THE LOOK THAT IS INTENDED.

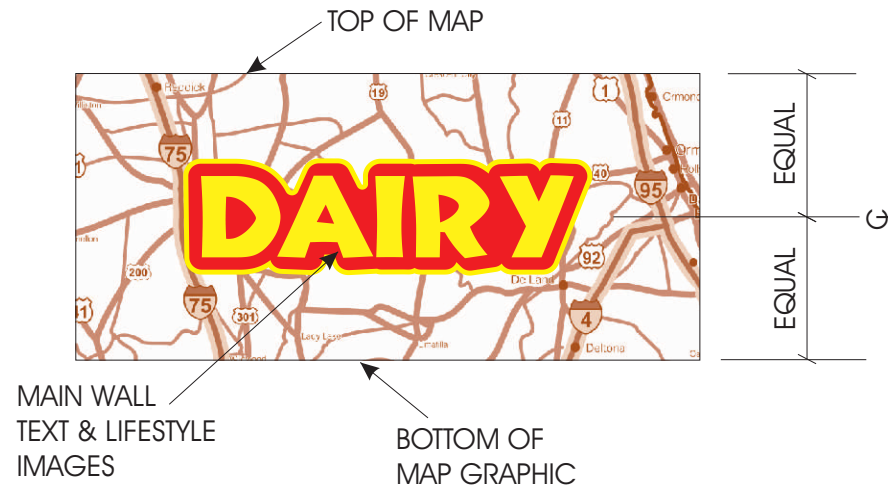
**GENERAL NOTES:**

THE GENERAL CONTRACTOR SHALL INSPECT ALL FIELD CONDITIONS AND VERIFY ALL EXISTING DIMENSIONS. IN THE EVENT OF ANY DISCREPANCIES BETWEEN ACTUAL FIELD CONDITIONS, EXISTING DIMENSIONS AND THOSE INDICATED ON THE DESIGN DOCUMENTS, PROGRAMMED PRODUCTS CORP. SHOULD BE CONTACTED FOR THE DETERMINATION OF THE COURSE OF ACTION TO BE TAKEN FOR THE AREA IN QUESTION.

PROGRAMMED PRODUCTS CORP. SHALL NOT BE RESPONSIBLE FOR AND SHALL NOT HAVE CONTROL OR CHARGE OF CONSTRUCTION MEANS, METHODS, TECHNIQUES, SEQUENCES OR PROCEDURES OR FOR SAFETY PRECAUTIONS AND PROGRAMS IN CONNECTION WITH THIS PROJECT.

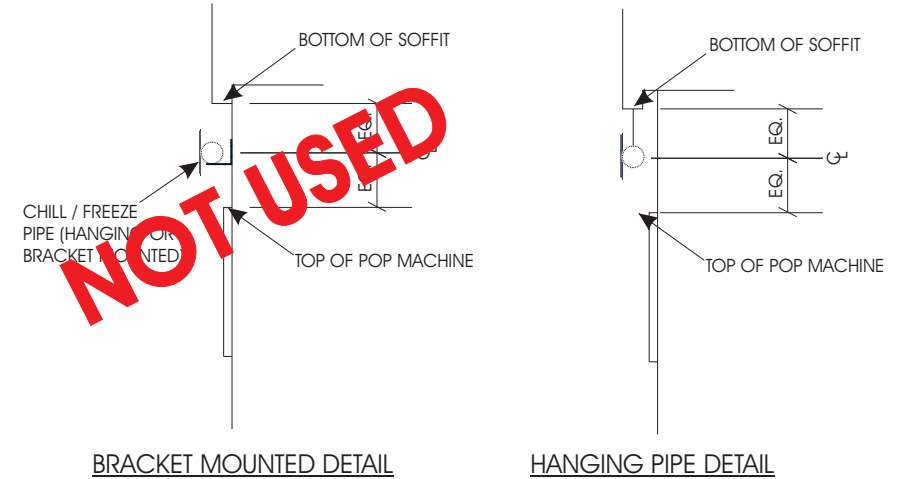
GENERAL CONTRACTOR TO PROVIDE WOOD BLOCKING, FURRING, SUPPORTS, ANCHORS, ETC. AS REQUIRED FOR INSTALLATION OF DECOR ITEMS. MAKE SURE ALL ADHESIVES USED FOLLOW 3M STANDARDS.

GENERAL CONTRACTOR SHALL REVIEW DECOR DRAWINGS AND INSTALLATION PROCEDURES WITH THE PANTRY PROJECT MANAGER PRIOR TO BEGINNING INSTALLATION.



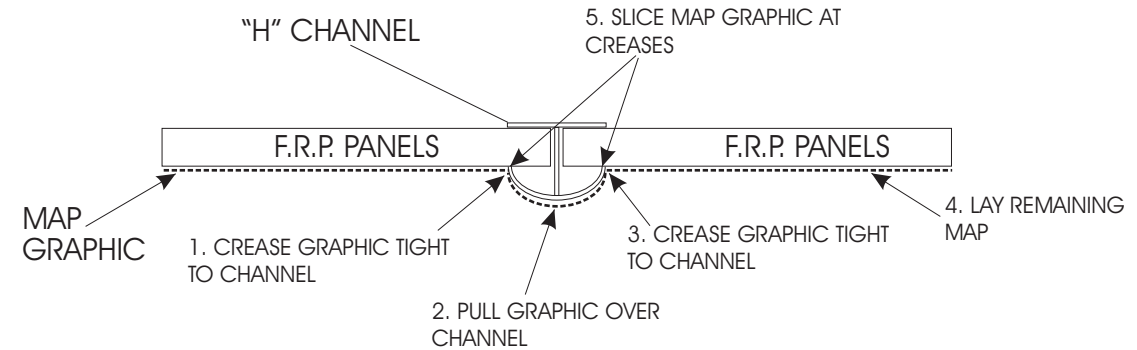
**DETAIL "A"**

MAIN WALL TEXT INSTALLATION DETAIL



**DETAIL "B"**

CHILL ZONE SECTION



**DETAIL "C"**

MAP GRAPHIC & "H" CHANNEL TRANSITION

**FINAL DECOR DRAWINGS  
DECOR INSTALLATION BLUEPRINTS**  
These prints supersede all previous drawings issued by  
**Programmed Products Corporation**

**ADHESIVE NOTE:** WALL DECOR SUPPLIED BY PPC DESIGN IS SUPPLIED WITH DOUBLE STICK TAPE ON BACK. ADHESIVE MUST ALSO BE USED WHEN APPLYING THE WALL SIGNAGE. ANY ADHESIVE THAT IS 100% SILICONE WILL WORK THE BEST. ANOTHER OPTION FOR EASIER CLEAN-UP WOULD BE POLY SEAM SEAL WHICH GOES ON WHITE AND EVENTUALLY DRIES CLEAR.

	44311 Grand River Ave. Novi, MI 48375 PH 248.348.7755 FX 248.348.7708	This document contains information proprietary to Programmed Products Corp. Any disclosure or use of this document is expressly prohibited except as Programmed Products Corp. may otherwise agree in writing.	CONSTRUCTION: PRELIMINARY: 1-28-08 REVISIONS: 1-29-08
	Copyright © 2008 Programmed Products Corp. All Rights Reserved		DRAWN BY: JRG CHECKED BY: MH
PROJECT - LOCATION <b>THE PANTRY #3999                  SUNSET BEACH, NC.</b>		DRAWING TITLE <b>INSTALLATION NOTES</b>	DO NOT SCALE THIS PRINT USE FIGURED DIMENSIONS ONLY. SHEET NO. <b>4 OF 5</b> S.O. NO.
		SCALE: 1/8" = 1'-0"	