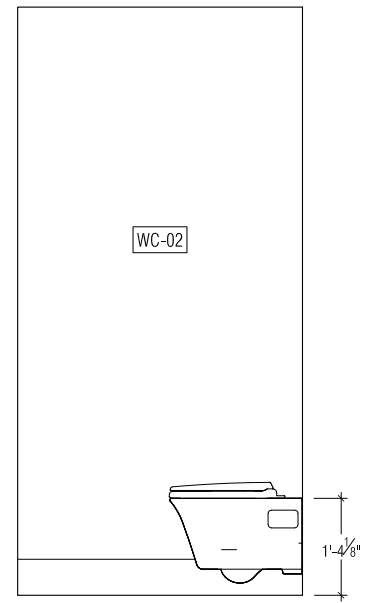
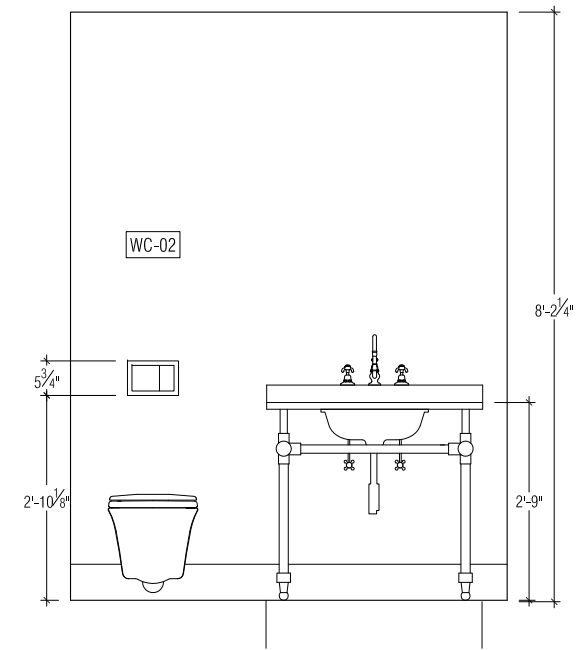


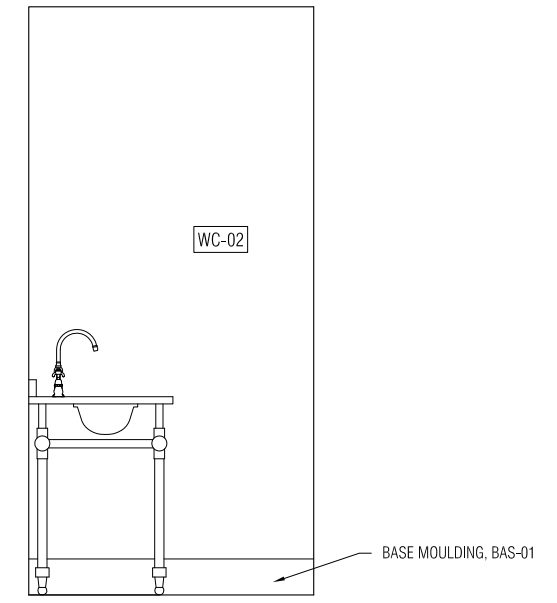
1 POWDER ROOM ELEVATION: RM #1101
SCALE: 3/8"=1'-0"



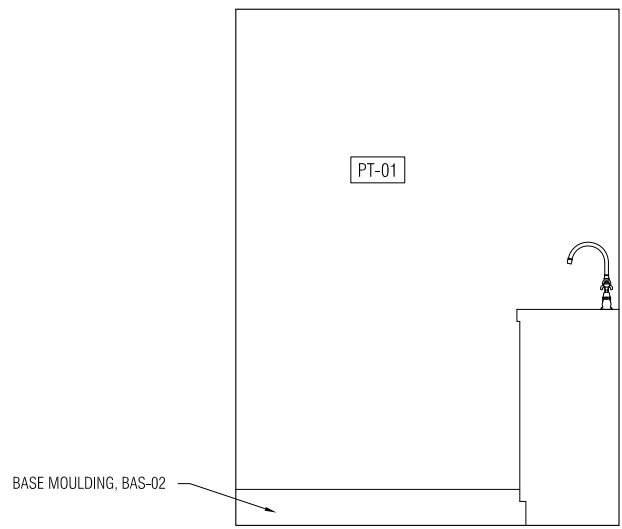
2 POWDER ROOM ELEVATION: RM #1101
SCALE: 3/8"=1'-0"



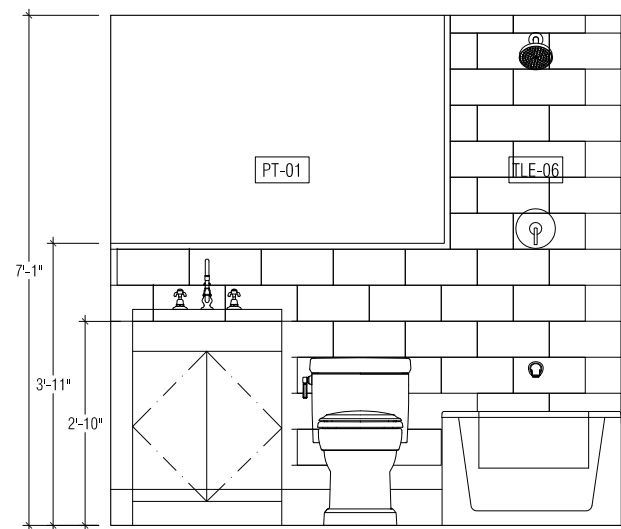
3 POWDER ROOM ELEVATION: RM #1101
SCALE: 3/8"=1'-0"



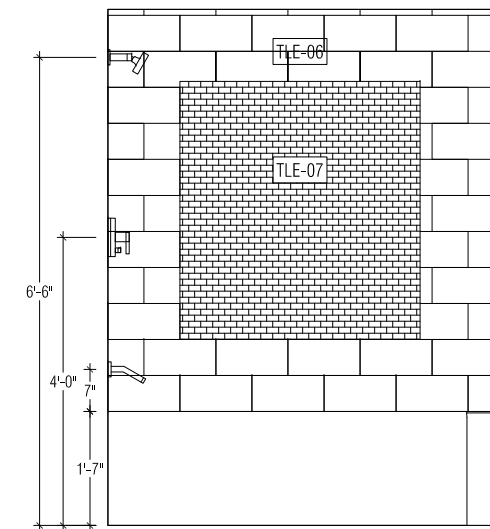
4 POWDER ROOM ELEVATION: RM #1101
SCALE: 3/8"=1'-0"



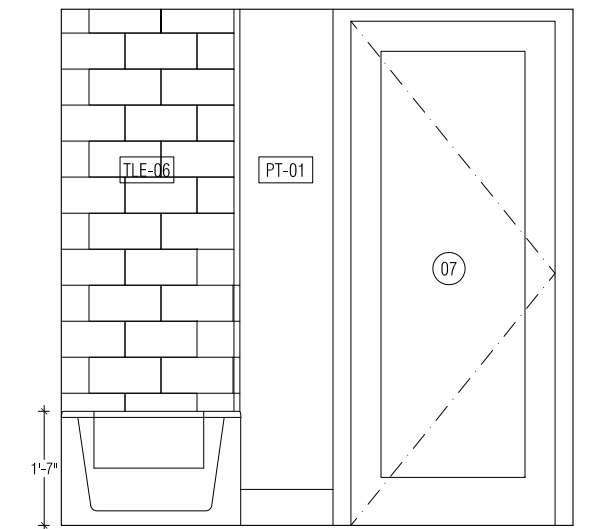
5 BATHROOM ELEVATION: RM #1102
SCALE: 3/8"=1'-0"



6 BATHROOM ELEVATION: RM #1102
SCALE: 3/8"=1'-0"



7 BATHROOM ELEVATION: RM #1102
SCALE: 3/8"=1'-0"



8 BATHROOM ELEVATION: RM #1102
SCALE: 3/8"=1'-0"

PROJECT	ADDRESS	DESIGN ARCHITECT	ISSUE	REVISION	JOB:	SHEET NUMBER
			NO. DATE DESCRIPTION	NO. DATE DESCRIPTION	SCALE: AS NOTED	A-402.00
					DRAWN BY:	
					DATE:	
					TITLE: INT. ELEVATIONS	
						XX OF