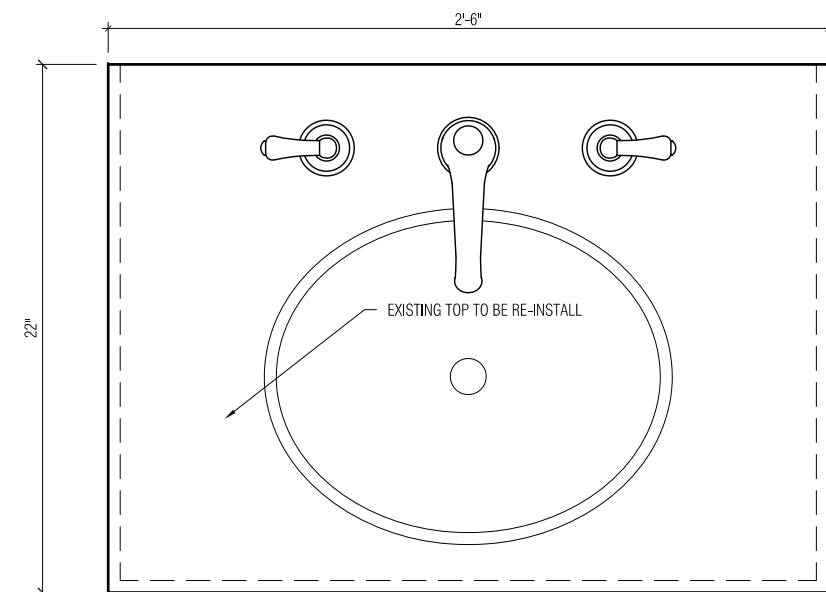
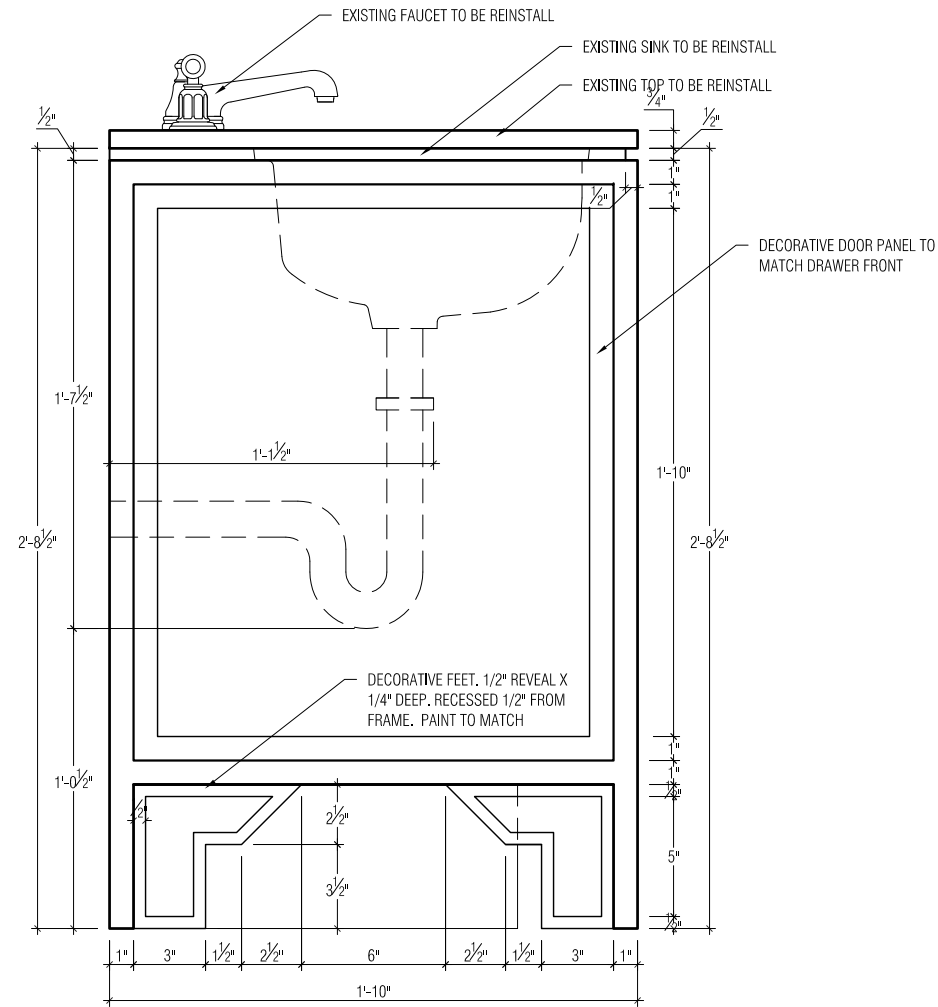


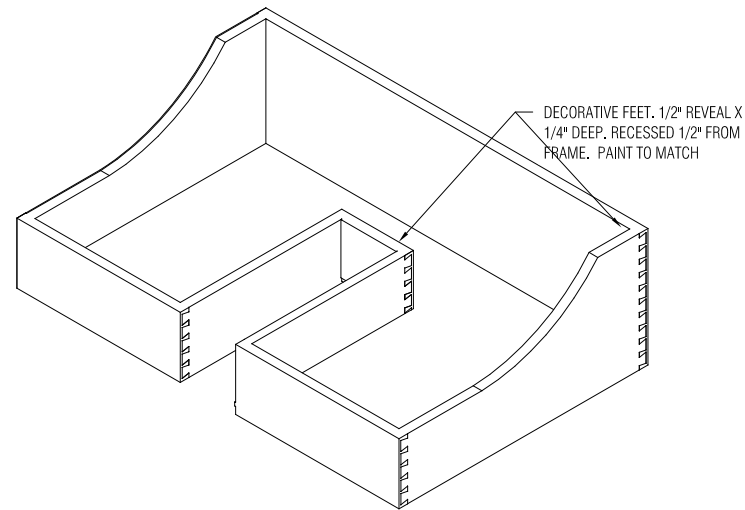
**VANITY FRONT VIEW**  
SCALE: 1-1/2" = 1'-0"



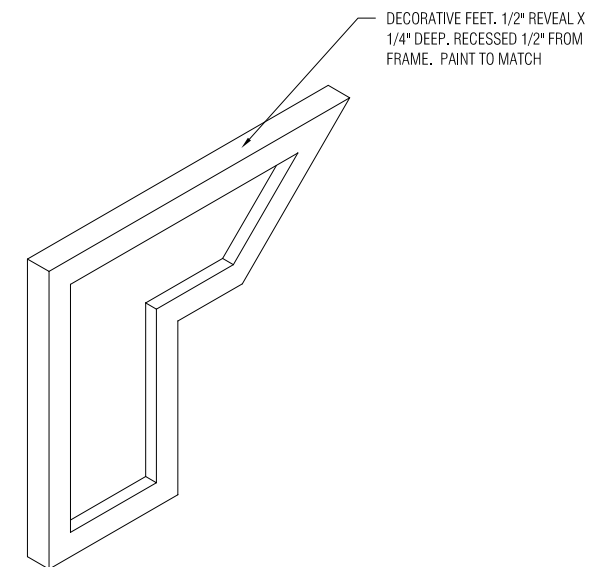
**VANITY TOP VIEW**  
SCALE: 1-1/2" = 1'-0"



**VANITY SIDE VIEW**  
SCALE: 1-1/2" = 1'-0"



**DRAWER BOX**



**DECORATIVE FEET**

PROJECT NAME:

**STEWART RESIDENCE**  
PARK AVE

DRAWN BY: GABRIEL SEPULVEDA  
ISSUE DATE: 07/22/2013  
REVISED BY:

**JEFFREY KILMER DESIGN**  
488 RICHMOND AVE  
MAPLEWOOD, NJ 07040  
973-373-9446  
201-618-3068  
jeffkilmer@verizon.net

This drawing is an instrument of professional service and shall remain the property of Jeffrey Kilmer Designs, whether the project for which it is prepared is executed or not. No changes, alterations, or deletions may be made except by Jeffrey Kilmer Designs. This drawing shall not be used or reproduced by anyone on other projects, for additions to this project, or for the completion of this project by others without written consent. Copyright 2013 Jeffrey Kilmer Designs.

ROOM: CUSTOM VANITY  
FLOOR PLAN: SCALE: AS NOTED

PAGE NO.