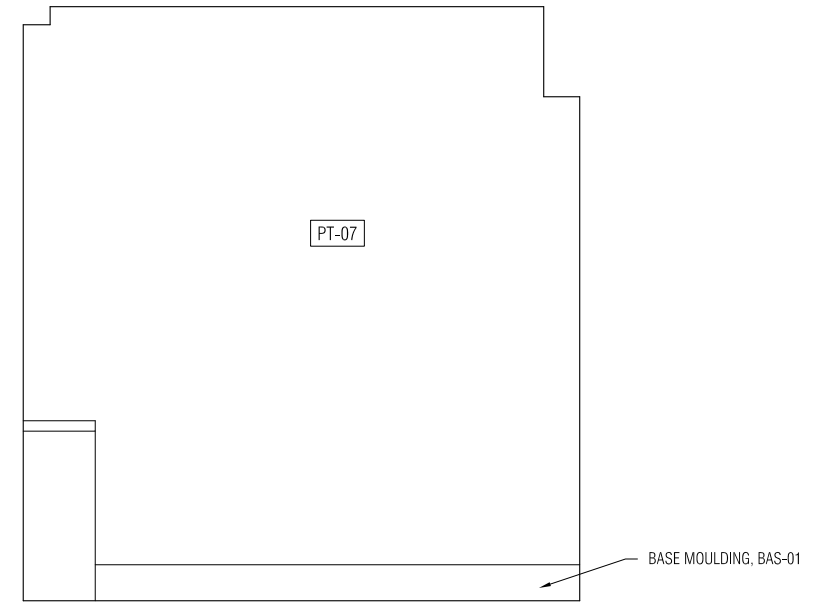
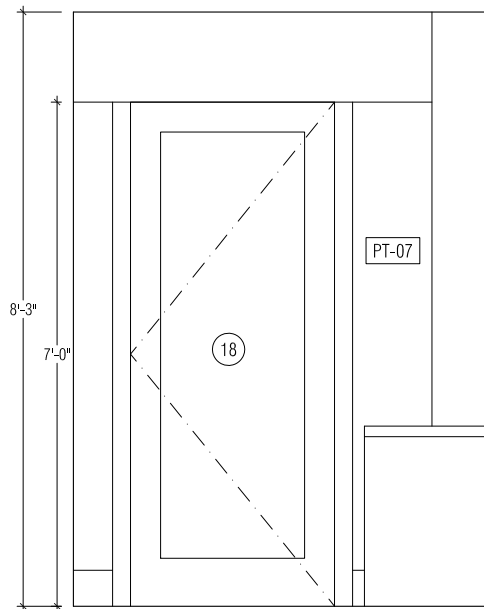


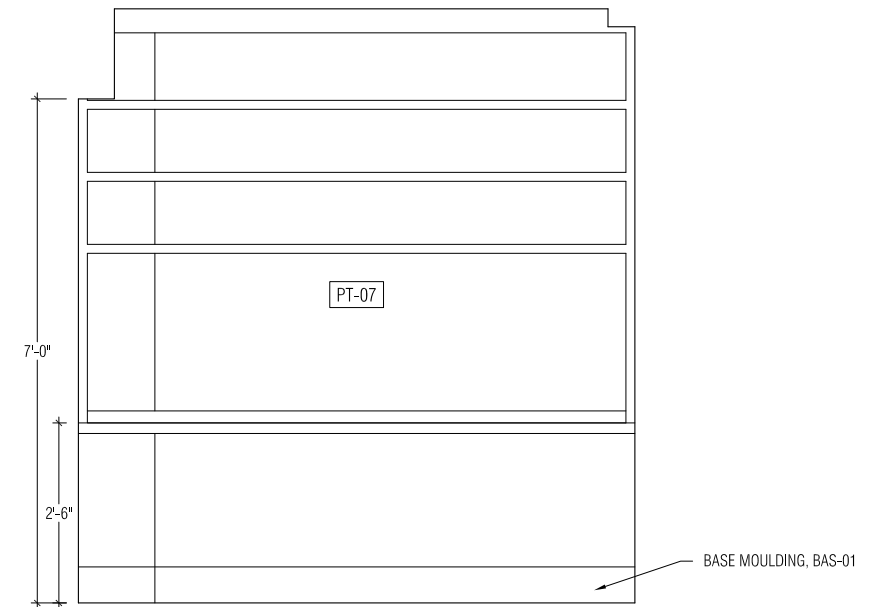
1 OFFICE ELEVATION: RM #1108  
SCALE: 3/8"=1'-0"



2 OFFICE ELEVATION: RM #1108  
SCALE: 3/8"=1'-0"



3 OFFICE ELEVATION: RM #1108  
SCALE: 3/8"=1'-0"



4 OFFICE ELEVATION: RM #1108  
SCALE: 3/8"=1'-0"

PROJECT	ADDRESS	DESIGN ARCHITECT	ISSUE	REVISION	JOB:	SHEET NUMBER
			NO. DATE DESCRIPTION	NO. DATE DESCRIPTION	SCALE: AS NOTED	A-408.00
					DRAWN BY:	
					DATE:	
					TITLE: INT. ELEVATIONS	
						XX OF