

DRIVE

STEEL FRONT SPROCKETS

- + Front sprockets case-hardened chromoly steel
- + \$14.95 - \$16.95

ALUMINUM REAR SPROCKETS

- + Durable rear hard-anodized 7075 T651 aluminum in black
- + Exclusive computer-designed cut-away pattern reduces weight, maintains strength
- + \$50.95 - \$55.95

SPROCKETS

FITS MODEL	FRONT SPROCKETS			REAR SPROCKETS	
	OEM GEARING	SIZE	PART #	SIZE	PART #
HONDA					
AATC70 73-81	14/35	12T	M603-21-12	-	-
		13T	M603-21-13	-	-
		14T	M603-21-14	-	-
		15T	M603-21-15	-	-
AFC70 82-85	13/36	12T	M603-21-12	-	-
		13T	M603-21-13	-	-
		14T	M603-21-14	-	-
		15T	M603-21-15	-	-
TRX 70 4-Trax 86-87	13/36	12T	M603-21-12	-	-
		13T	M603-21-13	-	-
		14T	M603-21-14	-	-
		15T	M603-21-15	-	-
TRX 90 93-07	13/50	13T	1212-0059	48T	1211-0107
		50T	1211-0108	-	-
ATC 185 80	11/47	11T	1212-0064	47T	1211-0110
ATC 185S 81-83	11/47	11T	1212-0064	-	-
ATC200 81-83	11/47	11T	1212-0064	47T	1211-0110
ATC200M 84-85	11/47	11T	1212-0064	-	-
ATC200S 84-86	11/43	11T	1212-0064	-	-
ATC200X 83-85	12/40	12T	1212-0060	40T	1211-0109
		13T	1212-0061	-	-
ATC200X 86-87	13/38	12T	1212-0068	-	-
		13T	M606-17-13	-	-
		14T	1212-0069	-	-
TRX 300SX-4Trax 86-88	12/40	12T	M606-14-12	42T	M605-14-42
TRX 3004 Trax 91-97	12/42	12T	M606-14-12	42T	M605-15-42
ATC250R 83-84	13/42	12T	1212-0065	-	-
		13T	M606-16-13	-	-
		14T	1212-0066	-	-
		15T	1212-0067	-	-
ATC 250R 85	13/39	12T	1212-0065	39T	1211-0111
		13T	M606-16-13	-	-
		14T	1212-0067	-	-
		15T	1212-0067	-	-
ATC 250R 86	13/39	12T	1212-0065	36T	1211-0113
		13T	M606-16-13	37T	M605-16-37
		14T	1212-0066	38T	M605-16-38
		15T	1212-0067	39T	M605-16-39
TRX 250R-4Trax 86-87	13/39	12T	1212-0065	36T	1211-0113
		13T	M606-16-13	37T	M605-16-37
		14T	1212-0066	38T	M605-16-38
		15T	1212-0067	39T	M605-16-39
TRX 250R-4Trax 88-89	13/38	12T	1212-0065	36T	1211-0113
		13T	M606-16-13	37T	M605-16-37
		14T	1212-0066	38T	M605-16-38
		15T	1212-0067	39T	M605-16-39
TRX250X 87	13/38	12T	1212-0068	36T	1211-0113
		13T	M606-17-13	37T	M605-16-37
		14T	1212-0069	38T	M605-16-38
		15T	1212-0069	39T	M605-16-39
TRX250X 88-92	13/38	12T	1212-0068	36T	1211-0113
		13T	M606-17-13	37T	M605-16-37
		14T	1212-0069	38T	M605-16-38
		15T	1212-0069	39T	M605-16-39
TRX300EX 93-07	13/38	12T	1212-0068	36T	1211-0113
		13T	M606-17-13	37T	M605-16-37
		14T	1212-0069	38T	M605-16-38
		15T	1212-0069	39T	M605-16-39
ATC 350X 85	13/40	13T	1212-0063	40T	1211-0112
ATC 350X 86	13/40	13T	1212-0063	-	-
TRX400EX 99-04	15/38	13T	M602-17-13	36T	1211-0113
		14T	M602-17-14	37T	M605-16-37
		15T	M602-17-15	38T	M605-16-38
		16T	M602-17-16	39T	M605-16-39
TRX400EX 05-07	14/39	13T	1212-0130	36T	1211-0113
		14T	1212-0131	37T	M605-16-37
		15T	1212-0132	38T	M605-16-38
		16T	1212-0132	39T	M605-16-39
TRX450R 04-05	15/38	12T	M602-16-12	36T	1211-0113
		13T	M602-16-13	37T	M605-16-37
		14T	M602-16-14	38T	M605-16-38
		15T	M602-16-15	39T	M605-16-39
TRX450R 06-07	13/38	12T	M602-16-12	36T	1211-0113
		13T	M602-16-13	37T	M605-16-37
		14T	M602-16-14	38T	M605-16-38
		15T	M602-16-15	39T	M605-16-39
KAWASAKI					
KFX 50 QUAD 03-06	10/37	11T	1212-0081	-	-
		13T	M607-20-13	-	-
KFX80 QUAD 03-06	10/22	-	-	22T	1211-0114
KSF250 Mojave 87-03	12/43	11T	1212-0072	43T	M605-26-43
		12T	M606-26-12	-	-
		13T	1212-0073	-	-
KXF250 Tecate 87-88	13/39	12T	M602-26-12	-	-
		13T	M602-26-13	-	-
		14T	M602-26-14	-	-
		15T	M602-26-15	-	-
		17T	1212-0071	-	-
KEF300 Lakota 95-03	12/43	11T	1212-0072	43T	M605-26-43
		12T	M606-26-12	-	-
		13T	1212-0073	-	-
KFX400 03-06	14/40	13T	1212-0007	39T	M605-35-39
		14T	1212-0003	40T	M605-35-40
		15T	1212-0075	41T	M605-35-41
		16T	1212-0075	42T	M605-35-42
KFX450R 08	14/38	13T	1212-0313	36T	1211-0310
		14T	1212-0314	37T	1211-0311
		15T	1212-0315	38T	1211-0312
		16T	1212-0315	39T	1211-0313
POLARIS					
PREDATOR 500 03-04	14/38	13T	1212-0198	38T	1211-0178
		14T	M602-10-14	-	-



STEEL FRONT SPROCKET
MADE IN THE USA



ALUMINUM REAR SPROCKET
MADE IN THE USA

FITS MODEL	FRONT SPROCKETS			REAR SPROCKETS	
	OEM GEARING	SIZE	PART #	SIZE	PART #
POLARIS (CON'T)					
PREDATOR 500 05	14/38	13T	1212-0199	38T	1211-0178
		14T	1212-0200	-	-
		15T	1212-0201	-	-
OUTLAW 500 06	-	13T	1212-0199	-	-
		14T	1212-0200	-	-
		15T	1212-0201	-	-
SUZUKI					
LT50 84-86	11/37	11T	1212-0081	33T	M640-21-33
		13T	M607-20-13	35T	1211-0006
		37T	M640-21-37	-	-
LT50 QUADMASTER 02-05	11/37	11T	1212-0081	-	-
		13T	M607-20-13	-	-
LT80 87-88	12/26	12T	M607-32-12	-	-
		13T	M607-32-13	-	-
		14T	M607-32-14	-	-
		15T	M607-32-15	-	-
LT80 89-06	10/22	-	-	22T	1211-0114
LT230 QuadSport 85-88	12/41	11T	M606-35-11	39T	M605-35-39
		12T	M606-35-12	40T	M605-35-40
		13T	M606-35-13	41T	M605-35-41
		14T	M606-35-14	42T	M605-35-42
		15T	M606-35-15	43T	M605-35-43
LT250R QuadRacer 85-92	12/42	11T	1212-0076	39T	M605-35-39
		12T	M602-36-12	40T	M605-35-40
		13T	M602-36-13	41T	M605-35-41
		14T	M602-36-14	42T	M605-35-42
		15T	M602-36-15	43T	M605-35-43
LTZ400 03-06	14/40	13T	1212-0007	39T	M605-35-39
		14T	1212-0003	40T	M605-35-40
		15T	1212-0075	41T	M605-35-41
		16T	1212-0075	42T	M605-35-42
LT450R 06-07	14/36	13T	1212-0007	35T	1211-0181
		14T	1212-0003	36T	1211-0182
		15T	1212-0075	37T	1211-0183
YAMAHA					
YFS200 Blaster 88-06	13/40	13T	M606-45-13	40T	M605-47-40
		14T	1212-0062	41T	M605-47-41
		42T	M605-47-42	-	-
		43T	1211-0115	-	-
		44T	1211-0116	-	-
		45T	1211-0117	-	-
		46T	1211-0118	-	-
		47T	1211-0119	-	-
		48T	1211-0120	-	-
		49T	1211-0121	-	-
		52T	1211-0122	-	-
YFM200 Tri-Moto 83-85	11/42	11T	1212-0064	-	-
YFM350 Warrior 87-88	13/40	12T	M602-45-12	40T	1211-0123
		13T	M602-45-13	42T	1211-0124
		14T	M602-45-14	-	-
		15T	M602-45-15	-	-
		16T	1212-0074	-	-
YFM350 Warrior 89-04	13/40	12T	M602-45-12	40T	M605-47-40
		13T	M602-45-13	41T	M605-47-41
		14T	M602-45-14	42T	M605-47-42
		15T	M602-45-15	43T	1211-0115
		16T	1212-0074	44T	1211-0116
		45T	1211-0117	-	-
		46T	1211-0118	-	-
		47T	1211-0119	-	-
		48T	1211-0120	-	-
		49T	1211-0121	-	-
		52T	1211-0122	-	-
YFZ350 Banshee 87-88	13/42	12T	M602-45-12	40T	1211-0123
		13T	M602-45-13	42T	1211-0124
		14T	M602-45-14	-	-
		15T	M602-45-15	-	-
		16T	1212-0074	-	-
YFZ350 Banshee 89-06	14/41	12T	M602-45-12	40T	M605-47-40
		13T	M602-45-13	41T	M605-47-41
		14T	M602-45-14	42T	M605-47-42
		15T	M602-45-15	43T	1211-0115
		16T	1212-0074	44T	1211-0116
		45T	1211-0117	-	-
		46T	1211-0118	-	-
		47T	1211-0119	-	-
		48T	1211-0120	-	-
		49T	1211-0121	-	-



520 FB CHAIN 1

- + This is the top of the line. The strongest, most durable sealed chain that we offer
- + FB = Fine Blanking, an incredibly precise manufacturing process that yields perfectly cut links. Tight tolerances make the plate, pin, and bushing union accurate and strong
- + Due to the accuracy of the cuts and the use of 20% stronger steel the FB has our highest tensile strength rating, 7937 lbs.
- + Special sealing rings are chemically treated to gain strength and reduce friction. The FB treatment allows the O-rings to be impregnated with grease. FB-rings are stronger and more durable than X-rings, with significantly less friction
- + Gold links and rollers, silver inner plates, pins and bushings
- + M Link \$4.95
- + \$98.95 - \$109.95



520 HPO O-RING CHAIN 2

- + O-ring chain
- + Extra high-tensile strength linkplates
- + Rust-resistant nickel-plated side plates
- + Vacuum injected greased chain
- + Solid bushings
- + Extra master link included
- + Replacement master link available, \$3.95
- + \$68.95 - \$79.95



520 RXP PRO-MX CHAIN 3

- + Non-O-Ring chain
- + Designed specifically for ATV racing applications
- + High-tensile strength nickel-plated inner link plates
- + High-tensile rust-resistant gold plated side plates
- + Vacuum injected greased chain
- + Extra master link included
- + Replacement master link available \$2.95
- + \$63.95 - \$69.95



428 RXP PRO-MX CHAIN 4

- + Non-O-Ring chain
- + Designed specifically for high-powered, mini-racing machines
- + Vacuum injected greased chain
- + High-tensile strength nickel-plated inner link plates
- + High-tensile rust-resistant gold plated side plates
- + Solid rollers
- + Replacement master link available \$1.95
- + \$25.95 - \$34.95



420 RXP PRO-MX CHAIN 5

- + Non-O-Ring chain
- + Designed specifically for mini-racing machines
- + Vacuum injected greased chain
- + High-tensile strength nickel-plated inner link plates
- + High-tensile rust-resistant gold plated side plates
- + Solid rollers
- + Replacement master link available \$2.95
- + \$16.95 - \$25.95

# LINKS	PART #	PRICE
100	1222-0099	\$98.95
110	1222-0100	\$100.95
114	1222-0101	\$103.95
116	1222-0102	\$105.95
120	1222-0103	\$109.95
M LINK	1225-0056	\$4.95

# LINKS	PART #	PRICE
84	M573-00-84	\$68.95
86	M573-00-86	\$69.95
88	M573-00-88	\$70.95
90	M573-00-90	\$71.95
96	M573-00-96	\$72.95
100	M573-00-100	\$73.95
110	M573-00-110	\$74.95
112	M573-00-112	\$75.95
114	M573-00-114	\$76.95
116	M573-00-116	\$77.95
120	M573-00-120	\$79.95
M LINK	M573-00-01	\$3.95

# LINKS	PART #	PRICE
90	M575-00-90	\$25.95
96	M575-00-96	\$26.95
100	M575-00-100	\$27.95
110	M575-00-110	\$28.95
114	M575-00-114	\$29.95
116	M575-00-116	\$30.95
120	M575-00-120	\$31.95
130	M575-00-130	\$34.95
M LINK	M575-00-01	\$1.95

# LINKS	PART #	PRICE
96	M574-00-96	\$63.95
100	M574-00-100	\$64.95
110	M574-00-110	\$65.95
112	M574-00-112	\$66.95
114	M574-00-114	\$67.95
116	M574-00-116	\$68.95
120	M574-00-120	\$69.95
M LINK	M574-00-01	\$2.95

# LINKS	PART #	PRICE
90	M575-00-90	\$25.95
96	M575-00-96	\$26.95
100	M575-00-100	\$27.95
110	M575-00-110	\$28.95
114	M575-00-114	\$29.95
116	M575-00-116	\$30.95
120	M575-00-120	\$31.95
130	M575-00-130	\$34.95
M LINK	M575-00-01	\$1.95

# LINKS	PART #	PRICE
90	M576-00-90	\$16.95
96	M576-00-96	\$17.95
100	M576-00-100	\$18.95
110	M576-00-110	\$19.95
114	M576-00-114	\$20.95
116	M576-00-116	\$21.95
120	M576-00-120	\$22.95
130	M576-00-130	\$25.95
M LINK	M576-00-01	\$2.95

AVERAGE TENSILE STRENGTH	PRICE
520 FB	7937
520 HPO (O RING)	7496
520 (NON O RING)	7937
428 RXP	5071
420 RXP	4409

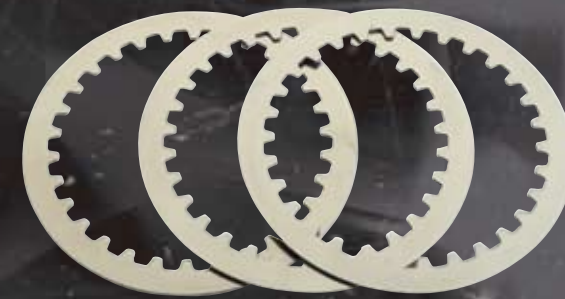
Note: Average tensile strength is NOT the same as maximum tensile strength that other manufacturers use
Maximum tensile = the absolute strongest chain ever tested
Average tensile = the average of ten chains tested



BILLET CLUTCH BASKETS

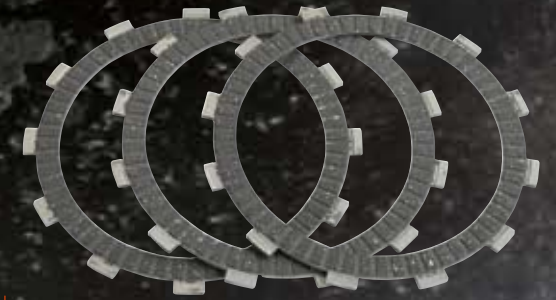
- + New design improves clutch performance and heat dissipation
- + Precision machined from billet T-6 aircraft quality aluminum
- + Hard anodized for longer wear resistance than OEM design
- + Superior tensile strength and hardness
- + Advanced design allows clutch assembly to spin true, creating less heat when clutch is disengaged
- + Baskets come with button-type screws to mount the stock ring gear
- + Steel plates, friction plates, and springs sold separately
- + \$198.95 - \$229.95

CLUTCH BASKETS		CLUTCH BASKETS	
MAKE/MODEL/YEAR	PART #	MAKE/MODEL/YEAR	PART #
HONDA		SUZUKI	
ATC250R 85-86	1132-0018	LTZ400 03-07	1132-0099
TRX250R 86-87	1132-0018	YAMAHA	
TRX250R STD 7 PLATE 86-89	1132-0018	YFZ350 BANSHEE 87-06	1132-0019*
TRX450R 04-07	1132-0055	YFZ450 04-06	1132-0052
TRX450ER 06-07	1132-0055	YFM660R RAPTOR 01-05	1132-0033
KAWASAKI		*WITH CUSHIONS	
KFX400 03-06	1132-0099		
POLARIS			
PREDATOR 03-05	1132-0099		



STEEL CLUTCH PLATES 2

- + Made of steel, not aluminum like other clutch drive plates
- + Increased weight (3/4 lb.) over stock plates adds flywheel effect, aiding starting and traction
- + Will not fade or expand like aluminum plates
- + 300% longer life than aluminum plates
- + Sold in sets
- + \$15.95 - \$85.95



CLUTCH FRICTION PLATES 1

- + DP manufactures these with heat resistant friction material for fade-free performance
- + Ready to install, no need to soak in oil
- + Designed to ensure ultra-smooth power delivery
- + Sold in sets
- + \$36.95 - \$132.95

ATV CLUTCH PLATES & SPRINGS	FRICTION 1	STEEL 2	SPRING 3
HONDA			
TRX200SX 86-88	F70-5160	-	-
ATC250 85-88	F70-5161	-	-
TRX250R 86-87	F70-5161	M80-7105-6	FHDS32-6
TRX250R 88-89	F70-5161	M80-7105-6	1131-0041
TRX250X 87-92	F70-5127-6	M80-7105-6	FHDS4-4
TRX250EX 01-07	F70-5160	1131-0409	1131-0043
TRX300EX 92-07	F70-5127-6	M80-7105-5	FHDS4-4
ATC350X 85-87	F70-5127-6	-	FHDS4-4
TRX400EX 99-07	F70-5167-7	M8-07106-6	FHDS61-5
TRX450R 04-07	1131-0118	1131-0119	1131-0097
POLARIS			
PREDATOR 03-04	1131-0184	1131-0185	1131-0186
SUZUKI			
LTZ250R 87-92	1131-0034	1131-0046	1131-0040
LTZ250 04-07	1131-0707	1131-0710	1131-0713
LTZ400 02-04	F70-5255-8	M8-07210-7	FHDS81-6
LTZ400 05-07	1131-0233	1131-0234	FHDS81-6
LTR450 Quadtracer 06-07	1131-0708	1131-0711	1131-0712
LTF500 Quadrunner 98-05	1131-0035	1131-0047	1131-0044
KAWASAKI			
KLT160 85	-	-	1131-0713
KLT185 86-87	-	-	1131-0713
KLF185 85-88	-	-	1131-0713
KSF250 96-05	F70-5320	M80-7312	FHDS7-5
KEF300 95-05	1131-0036	-	-
KFX400 03-04	F70-5255-8	M80-7210-7	FHDS81-6
YAMAHA			
YFS200 Blaster 88-06	F70-5425	M80-7408-6	FHDS42-5
YFM350 Wolverine 95-05	1131-0037	M80-7409-6	FHDS80-5
YFM350 Warrior 87-04	F70-5454	M80-7409-6	FHDS58-5
YFZ350 Banshee 87-07	F70-5410	1131-0048	FHDS2-6
YFM350 Raptor 04-07	F70-5454	M80-7409-6	FHDS58-5
YFZ450 04-06	1131-0147	M80-7404	1131-0148
YFZ450 07	1131-0709	M80-7404	1131-0714
YFM660 Raptor 01-05	F70-5459-8	M80-7406	FHDS86-5
YFM700 Raptor 06-07	1131-0147	M80-7404	1131-0148



CLUTCH SPRINGS 3

- + Precision wound using the finest chrome silicone wire
- + Heat-treated and shot peened for maximum life
- + Designed for stronger performance without a harder lever pull
- + Sold in sets
- + \$10.95

BEARINGS



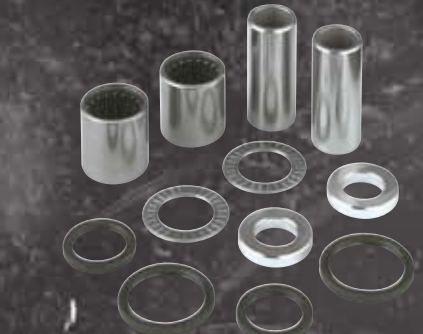
WHEEL BEARING/SEAL KITS 1

- + Premium quality, high-speed bearings
- + EMQ standard seals
- + Kits include all bearings and seals required to do a wheel bearing rebuild
- + Kits are per wheel
- + \$11.95 - \$52.95



UPPER AND LOWER A-ARM BEARING KITS 2

- + Direct OEM replacement parts designed to rebuild the A-Arm to factory specifications
- + \$19.95 - \$58.95



SWINGARM BEARING KITS 3

- + 52100 Bearing steel is used in these rebuild kits for moto cross, off-road, and dual purpose bikes
- + Kits include all the bearings, seals, shafts, and spacers required for a complete rebuild
- + Thrust bearings are replaced with Teflon bearings which perform better in dirt and water
- + Expansive application chart covers bikes from the 70's to present
- + \$27.95 - \$48.95



SWINGARM LINKAGE BEARING KITS 4

- + Include the lower shock bearing and all other parts necessary to rebuild the suspension linkage
- + 52100 Bearing steel and hard plated spacers resist wear and rust
- + Each kit includes: the lower shock bearing, all the shafts, seals, and spacers in the link, link arm, and lower shock mount
- + \$70.95 - \$85.95



UPPER AND LOWER SHOCK BEARING KITS 5

- + Kit includes the upper shock bearing, seals, spacers, and pins (if required) to rebuild the upper shock link
- + Premium design and construction stands up to tough conditions
- + Older bearing and seal designs updated to the latest in bearing technology
- + \$15.95 - \$19.95



STEERING STEM BEARING KITS 6

- + Designed as a drop-in replacement to upgrade OEM ball-type bearings to taper bearings, or a high quality replacement if your bike comes with taper bearings stock
- + Tapered roller bearings provide decreased maintenance along with less wear, smoother operation and longer life
- + Kits come complete with both upper and lower taper bearing cups, cones, and most include top and bottom seals
- + \$39.95

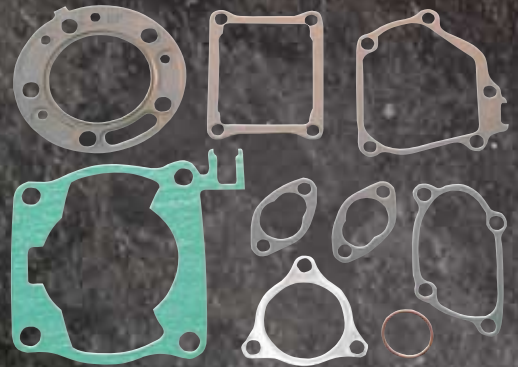


CRANK BEARING/SEAL KIT 7

- + Precision Japanese crank bearings
- + Kits contain right and left crankshaft bearings, 2-stroke kits contain outer seals
- + Seals designed with a fluorocarbon lip to reduce friction
- + \$23.95 - \$83.95

ATV BEARINGS	1	1	2	2	3	4	5	5	6	7
MAKE/MODEL/YEAR	FRONT WHEEL BEARING KIT	REAR WHEEL BEARING KIT	A-ARM UPPER	A-ARM LOWER	SWINGARM BEARING KIT	SWINGARM LINKAGE KIT	LOWER SHOCK KIT	UPPER SHOCK KIT	STEERING STEM BEARING KIT	CRANK BEARING KIT
ARCTIC CAT										
50 Y-6 Youth 04-06	0215-0151	2	0215-0077	1	-	-	-	-	-	-
90 Y-12 Youth 02-06	0215-0151	2	0215-0077	1	-	-	-	-	-	-
DVX400 04-07	0215-0150	2	A25-1331	2	0430-0040	0430-0048	1302-0035	1302-0038	-	-
BOMBARDIER										
DS650 00-07	0215-0152	2	-	-	-	-	-	-	-	-
CANNONDALE										
All 400 ATV 01-03	A25-1035	2	-	-	-	1302-0037	-	-	-	-
GAS-GAS										
Wild HP 300 03-05	A25-1035	2	0215-0079	1	-	-	1302-0044	-	-	-
Wild HP 450 03-05	A25-1035	2	0215-0079	1	-	-	1302-0044	-	-	-
HONDA										
TRX90 93-96	A25-1052	2	A25-1029	1	-	0430-0312	A28-1009	-	-	0410-0070
TRX90&EX 07	A25-1052	2	A25-1029	1	-	-	A28-1009	-	-	0410-0070
ATC250R 81-82	A25-1317	1	A25-1122	1	-	-	-	-	-	0410-0041
ATC250R 83-84	A25-1317	1	A25-1122	1	-	-	-	-	-	0410-0029
ATC250R 85-86	A25-1317	1	A25-1320	1	-	-	1302-0032	-	-	0410-0029
TRX250EX Sportrax 01-07	A25-1083	2	A25-1034	1	0430-0312	0430-0312	A28-1056	-	-	0410-0070
TRX250R 86	A25-1112	2	A25-1320	1	0430-0073	0430-0073	1302-0032	-	-	A24-1005
TRX250R 87	A25-1112	2	A25-1320	1	0430-0043	0430-0043	1302-0032	-	-	A24-1005
TRX250R 88-89	A25-1035	2	A25-1320	1	0430-0043	0430-0043	1302-0033	-	-	A24-1005
TRX250R With performance axle carrier 86-89	-	-	0215-0079	1	-	-	-	-	-	-
TRX250X 87-92	A25-1035	2	A25-1320	1	0430-0044	0430-0044	A28-1051	-	-	0410-0071
TRX300EX 93-07	A25-1035	2	A25-1320	1	0430-0044	0430-0044	A28-1051	-	-	0410-0071
ATC350X 85-86	A25-1317	2	A25-1320	1	-	-	-	-	-	0410-0041
TRX400EX 99-01	A25-1035	2	A25-1320	1	0430-0044	0430-0044	A28-1053	A27-1048	1313-0003	1313-0003
TRX400EX 02-07	A25-1083	2	A25-1320	1	0430-0044	0430-0044	A28-1053	A27-1048	1313-0003	1313-0003
TRX400EX With performance axle carrier 99-07	-	-	0215-0079	1	-	-	-	-	-	-
TRX450R 04-07	A25-1083	2	0215-0114	1	0430-0044	0430-0044	1302-0122	1302-0117	1313-0003	1313-0003
KAWASAKI										
KFX50 03-06	A25-1194	2	0215-0119	1	-	-	-	-	-	0924-0102
KFX50 07	0215-0151	2	0215-0077	1	-	-	-	-	-	-
KFX80 03-06	A25-1194	2	A25-1158	1	-	-	-	-	-	-
KFX80 07	0215-0151	2	0215-0077	1	-	-	-	-	-	-
KSF250 Mojave 87-04	A25-1023	2	A25-1132	1	0430-0038	0430-0038	A28-1080	-	-	0410-0085
KXF250 Tecate 87	A25-1023	2	A25-1132	1	0430-0038	0430-0038	A28-1080	-	-	0410-0085
KXF250 Tecate 88	A25-1023	2	A25-1132	1	0430-0039	0430-0039	A28-1080	-	-	0410-0085
KXT250 Tecate 84-85	-	-	-	-	-	-	A28-1080	-	-	0410-0022
KXT250 Tecate 86-87	-	-	A25-1132	1	-	-	A28-1079	-	-	0410-0022
KEF300 Lakota 95-03	A25-1023	2	A25-1132	1	0430-0038	0430-0038	A28-1080	-	-	0410-0085
KFX400 03-06	A25-1042	2	A25-1331	1	0430-0040	0430-0048	1302-0035	1302-0038	1313-0004	-
POLARIS										
Predator 50 04-06	0215-0151	2	-	-	-	-	-	-	-	0924-0048
Scrambler 50 01-03	0215-0151	2	0215-0077	1	-	-	-	-	-	0924-0048
Outlaw 90 07	0215-0151	2	-	-	-	-	-	-	-	-
Predator 90 03	0215-0151	2	0215-0077	1	-	-	-	-	-	0924-0048
Predator 90 04-06	0215-0151	2	-	-	-	-	-	-	-	0924-0048
Scrambler 90 01-03	0215-0151	2	0215-0077	1	-	-	-	-	-	0924-0048
Sportsman 90 01-03	0215-0151	2	0215-0077	1	-	-	-	-	-	0924-0048
Sawtooth 200 07	-	-	-	-	-	-	A28-1056	-	-	-
Cyclone 250 87	A25-1098	2	A25-1321	1	-	-	-	-	-	-
Scrambler 250 85-86	A25-1104	1	A25-1321	1	-	-	-	-	-	-
Hawkeye 2x4 4x4 06-07	0215-0078	2	0215-0078	2	-	-	-	-	-	-
Scrambler 380 2x4 00	A25-1129	2	A25-1151	1	-	-	-	-	-	0924-0049
Scrambler 400 2x4 01-02	A25-1129	2	A25-1151	1	-	-	-	-	-	0924-0049
Sport 400 94-98	A25-1129	2	A25-1321	1	-	-	-	-	-	0924-0049
Sport 400 99	A25-1129	2	A25-1151	1	-	-	-	-	-	0924-0049
Scrambler 500 2x4 00-02	A25-1129	2	A25-1151	1	-	-	-	-	-	0924-0105
Outlaw 500 07	0215-0160	2	0215-0078	2	-	-	-	-	-	-
Predator 500 03	0215-0160	2	-	-	-	-	1302-0124	-	-	-
Predator 500 04-07	0215-0160	2	0215-0158	1	-	-	1302-0124	-	-	-
SUZUKI										
LT-50 84-87	A25-1045	2	0215-0117	1	-	-	-	-	-	0924-0102
LT-A50 02-07	A25-1194	2	0215-0119	1	-	-	-	-	-	0924-0102
LT-80 87-06	A25-1194	2	A25-1158	1	-	-	-	-	-	-
LT-Z90 Quadsport 07	A25-1194	2	-	-	-	-	-	-	-	-
LT-Z50R85-86	A25-1042	2	A25-1331	1	0430-0046	0430-0046	A28-1005	1302-0039	-	0924-0001
LT-Z50R 87-90	A25-1042	2	A25-1331	1	0430-0042	0430-0042	A28-1005	A27-1050	-	0924-0001
LT-Z50R 91-92	A25-1042	2	A25-1331	1	0430-0042	0430-0042	A28-1005	-	1313-0009	0924-0001
LT-Z250 04	0215-0150	2	0215-0154	1	0430-0313	0430-0313	1302-0191	-	-	A24-1036
LT-Z250 05-07	A25-1042	2	0215-0154	1	0430-0313	0430-0313	1302-0191	-	-	A24-1036
LT-Z400 03-06	A25-1042	2	A25-1331	1	0430-0040	0430-0048	1302-0035	1302-0038	1313-0004	-
LT-Z400 07	A25-1042	2	A25-1331	1	0430-0040	0430-0048	1302-0035	1302-0038	-	-
LT-R450 06-07	A25-1042	2	0215-0201	-	-	-	1302-0192	1302-0189	1313-0004	A29-1003
LT-500R 87	A25-1042	2	A25-1337	1	-	0430-0049	A28-1005	-	-	0924-0002
LT-500R 88-90	A25-1042	2	A25-1337	1	0430-0049	0430-0049	A28-1005	-	-	0924-0002
YAMAHA										
YFM50 Raptor 04-07	A25-1052	2	A25-1109	1	-	-	-	-	-	-
YFM80 Raptor 02-07	A25-1052	2	A25-1109	1	-	-	-	-	-	-
YFS200 Blaster 88-02	A25-1048	2	A25-1314	1	0430-0076	0430-0079	A28-1023	-	-	A24-1043
YFS200 Blaster 03-06	A25-1044	2	A25-1313	1	0430-0076	0430-0079	A28-1023	-	-	A24-1043
YFM350 Raptor 04-07	A25-1044	2	0215-0162	1	0430-0079	0430-0079	1302-0123	1302-0120	-	0410-0073
YFM350 Warrior 87	A25-1044	2	A25-1329	1	0430-0079	0430-0047	A28-1027	A27-1002	1313-0006	A29-1020
YFM350 Warrior 88	A25-1044	2	A25-1329	1	0430-0079	0430-0047	A28-1027	A27-1002	1313-0006	A29-1020
YFM350 Warrior 89-04	A25-1044	2	A25-1329	1	0430-0079	0430-0079	A28-1027	A27-1002	1313-0006	A29-1020
YFM350FX Wolverine 95-99	A25-1108	2	A25-1017	1	0430-0311	0430-0311	A28-1058	-	-	0410-0073
YFM350FX Wolverine 00-05	A25-1108	2	A25-1018	1	0430-0311	0430-0311	A28-1058	-	-	0410-0073
YFZ350 Banshee 87-88	A25-1044	2	A25-1315	1	0430-0078	0430-0079	A28-1028	A27-1002	1313-0006	A29-1020
YFZ350 Banshee 89-90	A25-1044	2	A25-1313	1	0430-0078	0430-0079	A28-1028	A27-1002	1313-0006	A29-1020
YFZ350 Banshee 91-06	A25-1044	2	A25-1313	1	0430-0075	0430-0079	A28-1028	A27-1002	1313-0006	A29-1020
YFZ450 04-05	A25-1068	2	0215-0169	1	0430-0075	0430-0079	1302-0121	1302-0116	1313-0007	-
YFZ450 06-07	A25-1068	2	0215-0168	1	0430-0075	0430-0079	1302-0121	1302-0118	1313-0007	-
YFM660R Raptor 01-05	A25-1068	2	A25-1313	1	0430-0074	0430-0079	1302-0036	1302-0040	1313-0006	A29-1020
YFM700R Raptor 06-07	A25									

ENGINE



GASKET SETS

- + Choose from top end gasket sets, complete gasket sets that include all necessary gaskets for a complete rebuild, complete gasket sets with oil seals or oil seals only
- + Top-end gasket sets include high-performance head, base, intake and exhaust gaskets
- + Gaskets are made from high-tech materials for superior reliability and performance with accurate fit
- + Oil seals are genuine OEM replacement
- + Made in the USA
- + \$9.95 - \$135.95

MAKE/MODEL/YEAR	TOP END GASKET SET	COMPLETE GASKET SET	COMPLETE W/OIL SEALS	OIL SEALS SET
ARCTIC CAT				
400 DVX 04-06	M810847	M808847	M811847	M822201
BOMBARDIER				
50 2-cycle 02-06	0934-0089	-	-	-
90 2-cycle 02-06	0934-0090	-	-	-
90 4-cycle 02-05	0934-0091	-	-	-
500 4-cycle 02-05	M810854	M808854	-	-
650 4-cycle DS 02-06	M810853	M808853	M811853	-
HONDA				
TRX90 Sportrax 93-05	0934-0085	0934-0148	0934-0121	0934-0173
TRX90 Sportrax 06	-	0934-1171	0934-1180	-
ATC185 80-83	M810816	-	-	-
ATC200X 83-85	M810816	-	-	-
ATC200S 84-86	M810816	-	-	-
ATC200 E, ES Big Red 82-84	M810816	-	-	-
ATC200M 84-85	M810816	-	-	-
ATC200 X 86-87	M810817	-	-	-
ATC250R 85-86	M810814	M808814	M811814	M822147
ATC250R 85-86 (.010SS Head)	M810815	M808815	M811815	M822147
TRX250R 86-89	M810814	M808814	M811814	M822147
TRX250R 86-89 (.010SS Head)	M810815	M808815	M811815	M822147
TRX250X 87-88/91-92	M810801	-	-	-
TRX250EX 01-02	0934-0413	0934-0414	0934-0415	-
TRX250EX 03-06	0934-0413	0934-1170	0934-1179	-
ATC250 SX 85-87	M810802	M808802	M811802	M822168
ATC250 ES Big Red 85-87	M810802	M808802	M811802	M822168
TRX300EX 93-06	M810801	M808801	M811801	M822146
Sportrax 300EX 01-05	M810801	M808801	M811801	M822146
TRX400EX Fourtrax 99-00	M810829	M808829	M811829	M822139
TRX400EX Sportrax 01-04	M810829	M808829	M811829	M822139
TRX400EX Sportrax 05-06	M810829	0934-0687	0934-0707	-
TRX450R 04-05	0934-0421	0934-0422	0934-0423	0935-0020
TRX450R 06	0934-1175	0934-1169	0934-1178	-
KAWASAKI				
KFX50 03-06	0934-0088	0934-0152	-	-
KFX 80 03-06	0934-0087	0934-0151	-	-
KXT250 Tecate 84-85	M810818	M808818	M811818	0935-0046
KXT250 Tecate 86-87 M810819	-	M811819	-	-

CARBURETOR CAP KITS

- + Replacement cap for the Yamaha Blaster & Banshee
- + Includes a stainless steel braided cable
- + Replaces stock carburetor caps
- + Includes Mikuni style idle adjustment screw
- + Made in the USA
- + Blaster (1050-0027 - 1050-0030) \$65.95
- + Banshee (1050-0031 - 1050-0034) \$108.95

YAMAHA BLASTER		YAMAHA BANSHEE	
MAKE/MODEL/YEAR	PART #	MAKE/MODEL/YEAR	PART #
BLUE	1050-0027	BLUE	1050-0031
RED	1050-0028	RED	1050-0032
BLACK	1050-0029	BLACK	1050-0033
POLISHED	1050-0030	POLISHED	1050-0034

MAKE/MODEL/YEAR	TOP END GASKET SET	COMPLETE GASKET SET	COMPLETE W/OIL SEALS	OIL SEALS SET
KAWASAKI (CON'T)				
KXF250 Tecate 87-88	M810820	M808820	M811820	-
KSF250 Mojave 87-04	M810804	M808804	M811804	-
KEF300 Lakota 95-02	M810805	-	-	-
KFX400 03-06	M810847	M808847	M811847	M822201
KFX 700 V-Force 04-06	0934-0694	0934-0682	0934-0702	0935-0022
POLARIS				
50 Scrambler 01-03	0934-0696	0934-0686	0934-0706	-
50 Predator 04-06	0934-0696	0934-0686	0934-0706	-
90 Scrambler 01-03	0934-0084	0934-0685	0934-0705	-
90 Sportsman 01-04	0934-0084	0934-0685	0934-0705	-
90 Predator 03-04	0934-0084	0934-0685	0934-0705	-
90 Predator 05-06	0934-0084	0934-1172	0934-1181	-
90 Sportsman 05-06	0934-0084	0934-1172	0934-1181	-
500 Scrambler 97-06	M810830	M808830	M811830	M822143
500 Predator 03-04	0934-0692	0934-0680	0934-0700	-
500 Predator 05-06	0934-0692	0934-1011	0934-1012	-
500 Outlaw 06	0934-0692	0934-0680	0934-0700	-
SUZUKI				
LT-A 50 Quad Sport 02-05	0934-0088	0934-0152	-	-
LT80 Quad Sport 87-06	0934-0087	0934-0151	-	-
LT250R 85-86	M810822	M808822	M811822	M822148
LT250R 87-92	M810822	M808822	M811822	M822148
LTZ250 Z QuadSport 04-07	0934-0695	0934-0684	0934-0704	-
LT500R 87	M810835	M808835	M811835	M822158
LT500R 88-90	M810823	M808823	M811823	-
LTZ400 Z 03-06	M810847	M808847	M811847	M822201
LTR450 06	0934-1176	0934-1173	0934-1182	-
YAMAHA				
YFS200 Blaster 88-06	M810811	M808811	M811811	M822153
YFZ350 Banshee 87-06	M810812	M808812	M811812	M822154
YFM350 Warrior 87-04	M810813	M808813	M811813	M822155
YFM350 Raptor 05-06	M810813	M808813	M811813	M822155
YFM350 Wolverine 95-05	M810813	0934-0155	0934-0127	-
YFM350 Wolverine 06	M810813	0934-0683	0934-0703	-
YFZ450 04-06	0934-0081	0934-0430	0934-0431	0935-0023
YFM660 Raptor 01-05	M810852	0934-0435	0934-0436	0935-0025



CARBURETOR REPAIR KITS

- + Complete kits to rebuild OEM carburetors
- + Each kit contains all necessary gaskets, O-rings, float valve and jets
- + \$11.95 - \$22.95

MAKE/MODEL/YEAR	PART #	MAKE/MODEL/YEAR	PART #
HONDA			
ATC90 72-78	MD03-002	KAWASAKI	
TRX90 93-98	1003-0018	KSF250 Mojave 87-97	MD03-106
ATC110 79-83	MD03-003	POLARIS	
ATC110 84-85	MD03-024	Sport 400 94-95	1003-0007
ATC125 84-85	MD03-025	Scrambler 400 4x4 97-00	1003-0081
ATC185 81-83	MD03-026	Scrambler 400 2x4 00-01	1003-0081
ATC185 80	MD03-026	Scrambler 500 98-00	1003-0083
ATC200 83	MD03-026	Scrambler 500 2x4 01-02	1003-0083
ATC200ES Big Red 84	MD03-027	Scrambler 500 4x4 01-02	1003-0083
ATC200M 84-85	MD03-027	Scrambler 500 02	1003-0083
ATC200E Big Red 82-83	MD03-027	SUZUKI	
ATC200 81-82	MD03-026	LT80 QuadSport 87-98	1003-0002
ATC200S 84-86	MD03-007	LT230S QuadSport 85-88	MD03-202
ATC200X 83-85	MD03-008	LT250R QuadRacer 85-86	MD03-203
ATC200X 86-87	MD03-009	YAMAHA	
ATC250ES Big Red 85-87	MD03-028	YFM80 92-04	1003-0032
ATC250R 81-82	MD03-012	YFS200 Blaster 88-95	MD03-301
ATC250R 83-84	MD03-013	YFM250 Macro 4 89-91	MD03-302
ATC250R 85	MD03-014	YFM350ER Moto-4 89-93	MD03-304
ATC250SX 85	MD03-015	YFM350X Warrior 88-02	MD03-307
TRX250R Fourtrax 86-87	MD03-018	YFZ350 Banshee 88-05	1003-0003
TRX250R Fourtrax 88	MD03-019	YFM450 03-04	1003-0098
TRX250X Fourtrax 91-92	MD03-020	YFM660 Raptor 01-04 (2 carbs)	1003-0038
TRX250EX 01-04	1003-0024		
TRX300EX Fourtrax 93-98	MD03-038		
ATC350X 85	MD03-022		
TRX400EX 99-02	1003-0079		

TORQUE SPACER KITS

- + Simple but effective way to shift the torque curve to favor the low to mid-range band of the rev range
- + Insert spacer between cylinder and reed valve
- + CNC-machined, eliminating "interference" problems when installing
- + Kit includes gaskets and bolts
- + Made in the USA
- + \$27.95 - \$55.95

MAKE/MODEL/YEAR	PART #	MAKE/MODEL/YEAR	PART #
HONDA			
ATC250R 81-86	M560-08-111	LT250R 85-87	M560-10-300
TRX250R 86-89	M560-08-111	LT250R 88-92	M560-08-310
KAWASAKI			
KXT250 85-87	M560-10-200	LT500R 87	M560-10-300
KXF250 87-88	M560-10-200	LT500R 88-92	M560-08-310
SUZUKI			
		TRI-2250 85-86	M560-08-411
		YFZ350 BANSHEE 87-05	M560-06-4011
		YFS200 BLASTER 88-05	M560-06-412

POWER COMMANDER

- + USB port provides an instant, problem-free way to connect your Power Commander to a computer
- + Provides precise information for fine tuning a fuel-injected ATV when changing an air filter, installing a new exhaust system or doing additional engine performance modifications
- + If you do not have a computer, you can change the settings with three touch buttons on the faceplate
- + OEM-style wiring connectors with improved harness protection are supplied; no wiring modifications required
- + Direct injector control technology manages the fuel curve on models that do not have the sensors to monitor fuel adjustment
- + Features an expansion port for future add-on modules
- + Software is compatible with Windows 98se/ME/2000/XP; opens with .djm extension. Includes a built-in microprocessor and a specific map designed to improve engine performance over stock; Dynojet continuously maps new calibrations for downloading on their website at www.powercommander.com
- + \$339.95

MAKE/MODEL/YEAR	PART #
KAWASAKI	
KFX450R 07	1020-0355
SUZUKI	
LTR450R 06-07	1020-0285
YAMAHA	
YFM700R Raptor 06	1020-0217

- FACEWEAR
- YOUTH
- OUTERWEAR
- SIZING CHART
- BIKER ACCESSORIES
- BIKES & RIDES
- CASES
- CONTROLS
- BEARING
- DRIVE
- BEARINGS
- ENGINE
- ELECTRICAL
- QUALITY
- ARMOR
- WHEELS
- TRAIL TOOLS
- BIKES & RIDES
- CONTROLS
- BEARING
- DRIVE
- SUSPENSION
- BEARING
- ENGINE
- ELECTRICAL
- EXHAUST
- ARMOR
- WHEELS
- BIKES & RIDES
- TRAIL TOOLS
- PROMO

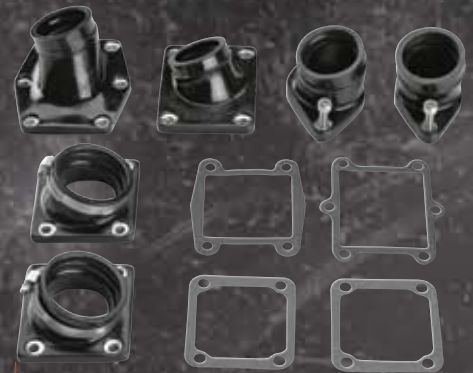
ENGINE



JET KIT / IGNITION MODULE

- + Moose Racing has now combined its industry leading jet kit with a performance replacement Moose Racing digital ignition
- + The new Moose Racing digital ignition is preprogrammed with a performance advance curve while at the same time increasing the vehicle's rev limit
- + On modified vehicles where the engine makes power right up to redline, the increased rev limit will allow for peak performance and additional top end power
- + By pairing the dynamometer tested jetting and ignition products, Moose Racing provides an easy way to achieve maximum results
- + \$112.95 - \$242.95

JET KIT & IGNITION BOX COMBINATION KITS		JET KIT & IGNITION BOX COMBINATION KITS	
MAKE/MODEL/YEAR	PART #	MAKE/MODEL/YEAR	PART #
HONDA			
TRX400EX 99-07	2101-0096	LTZ400 03-04	2101-0104
TRX450R 04-05	2101-0097	LTZ400 05-07	2101-0105
TRX450R 06-07	2101-0123	YAMAHA	
KAWASAKI			
KFX400 03-04	2101-0107	YFM350 Warrior 97-01	2101-0101
KFX400 05	2101-0108	YFM350 Warrior 02-04	2101-0102
KFX700 03-07	2101-0112	Raptor 350 04-07	2101-0103
		Raptor 660 02-05	2101-0099



INTAKE MANIFOLDS

- + Add increased air flow to the carburetor, which equals more horsepower
- + Specially formulated to resist harsh fuels (Including methanol) and oils
- + Upgrade from OEM
- + Resistant to cracking or ripping
- + Designed to work properly with larger carburetors
- + \$49.95 - \$99.95

INTAKE MANIFOLDS		
MAKE/MODEL/YEAR	CARB SIZE	PART #
HONDA		
TRX250R 86-89	Stock	1050-0060 ^{A,B}
TRX250R 86-89	38mm-39mm	1050-0059 ^A
YAMAHA		
YFS200 Blaster 88-05	Stock	1050-0062 ^{A,B}
YFS200 Blaster 88-05	34mm-35mm	1050-0061 ^A
YFZ350 Banshee 87-05	Stock	1050-0056 ^{A,B}
YFZ350 Banshee 87-05	34-35mm-Two	1050-0057 ^A
YFZ350 Banshee 87-05	38-39mm-Two	1050-0058 ^A
YFM660 Raptor 00-05	Stock	1050-0055 ^{A,C}

- ^A Includes intake gaskets
- ^B Stock intake manifolds are not designed to accept large carburetors
- ^C New stainless steel bolts and polyurethane o-rings included



CARBURETOR INTAKE BOOTS

- + Connects air box to backside of carburetor
- + Durable, no cracking or ripping
- + Available for use with OEM air box for stock or 34-35mm carbs
- + \$29.95

CARBURETOR BOOTS	
YAMAHA	
MAKE/MODEL/YEAR	PART #
YFZ350 BANSHEE 87-05 STOCK	1050-0053
YFZ350 BANSHEE 87-05 34mm-35mm	1050-0054



BOOST BOTTLE

- + Connects to standard intake manifold
- + Gives instant throttle response and improves low-end power
- + Aluminum construction, heli-arc welded
- + Replaces standard balance pipe
- + Made in the USA
- + \$29.95

BOOST BOTTLE	
MAKE/MODEL/YEAR	PART #
YAMAHA	
YFZ350 87-05	M2114-1001



HOUR METER AND HOUR/TACH METER

- + Hour meter keeps track of important maintenance times for oil changes, valve adjustments, spark plugs and more
- + Usable with any gas engine
- + Records and displays up to 9,999.9 hours; hours automatically roll over
- + Peel and stick or attached with supplied hardware
- + Connects to spark plug wire, so no batteries are needed
- + Safely and completely encased in 100% epoxy
- + Hour/tach meter adds the ability to check engine rpm; works with any gas engine up to two cylinders at speeds up to 8000 rpm
- + Firing pattern: 1 spark = 1 rpm; resolution in 10 rpm increments
- + Hour meter Part # - 2212-0026 - \$39.95
- + Hour meter w/ tachometer Part # - 2212-0027 - \$42.95

MAGNETIC DRAIN PLUGS

- + Prolong engine life and save on costly repairs with an oil plug that picks up metal filings
- + Must use washer provided
- + Compare with original OEM plug before installing
- + Made in the USA
- + \$11.95

MAGNETIC DRAIN PLUGS	
MAKE/MODEL/YEAR	PART #
YAMAHA	
YFZ350 Banshee 87-05	0920-0002
YFM660 Raptor 00-05	0920-0002



CARB SPACER RAPTOR 660

- + Increases the distance between the carburetor and the engine
- + Adds approximately 3 horsepower by changing the air/fuel flow dynamics
- + Made from hard anodized billet aluminum
- + Includes mounting hardware and instructions
- + Made in the USA
- + \$44.95

CARB SPACER RAPTOR 660	PART#
	1050-0153



- FACEWEAR
- YOUTH
- OUTERWEAR
- SIZING CHART
- BIKER ACCESSORIES
- BIKES & BODIES
- CARBS
- CONTROLS
- DRIVING
- DRIVE
- GEARINGS
- ENGINE
- ELECTRICAL
- EXHAUST
- ARMOR
- WHEELS
- TRAIL TOOLS
- RAMPS & STANDS
- CONTROLS
- GEARINGS
- DRIVE
- SUSPENSION
- GEARINGS
- ENGINE
- ELECTRICAL
- EXHAUST
- ARMOR
- WHEELS
- RAMPS & STANDS
- TRAIL TOOLS
- PROMO



ENGINE



AIR FILTERS

- + Bonded, 2-layer foam designed for maximum protection and airflow
- + Coarse outer foam traps large particles, fine inner foam catches the finest dust
- + Flexible glue is used on all seams to prevent cracking
- + Super Seal neoprene sealing ring keeps out water and provides a no-grease seal
- + Exclusive 0.65 foam
- + Made in the USA
- + \$10.95 - \$25.95

MAKE/MODEL/YEAR	PART #	MAKE/MODEL/YEAR	PART #
AIR FILTERS			
ARTIC CAT			
DVX400 04-06	M763-70-11	KXF250 TECATE 4 87-88	M763-40-04
BOMBARDIER			
650 DS 00-06	M763-35-01	KEF300 LAKOTA 95-03	M763-40-02
HONDA			
TRX90 93-07	M763-20-03	KFX400 03-06	M763-70-11
ATC110 79-82	M763-20-04	KFX450R 07	1011-1028
ATC110 83-85	M763-20-05	KFX700 V-FORCE 04-07	1011-0021
ATC125M 84-85	M763-20-05	POLARIS	
ATC125M 86	M763-20-06	ALL 2-STROKE (EXCEPT 400L) 87-01	M763-15-01
TRX125 84-86	M763-20-05	PHOENIX 200 06	M763-15-04
TRX125M 87-88	M763-20-05	TRAILBLAZER 250 Thru 01	M763-15-01
ATC185S 81-82	M763-20-04	TRAILBOSS 250 Thru 01	M763-15-01
ATC185S 83-85	M763-20-05	TRAILBLAZER 250 2-STR. 02-06	M763-15-04
ATC200 81-82	M763-20-04	SPORT 400L 96-98	M763-15-02
ATC200 83-85	M763-20-05	SCRAMBLER 400 95-04	M763-15-02
ATC200E 82-83	M763-20-05	SCRAMBLER 500 4-STR 99-07	M763-15-05
ATC200ES 84	M763-20-05	SAWTOOTH 06-07	M763-15-04
ATC200M 84-85	M763-20-05	HAWKEYE 06-07	M763-15-04
ATC200S 84-86	M763-20-05	SUZUKI	
ATC200X 83-85	M763-20-07	LT80 87-06	M763-70-03
ATC200X 86-87	M763-20-08	LT250 QUADRACER 85-86	M763-70-08
TRX200 84-86	M763-20-05	LT250 QUADRACER 87-93	M763-70-01
TRX200 89-98	M763-20-09	LT2250 QUADSPORT 04-07	M763-70-12
TRX200SX 86-88	M763-20-06	LTR450R QUADRACER 06-07	1011-0788
ATC250ES 85-87	M763-20-10	LT500 QUADRACER 87-90	M763-70-02
ATC250R 82	M763-20-11	LTZ400 QUADSPORT 02-07	M763-70-11
ATC250R 83-84	M763-20-12	YAMAHA	
ATC250R 85-86	M763-20-13	YFM150 RAPTOR 04-07	M763-80-10
ATC250SX 85-87	M763-20-12	YFM180-100 (All years)	M763-80-10
TRX250X 87-92	M763-20-15	YFAI 125 BREEZE 89-05	M763-80-03
TRX250R 86-89	M763-20-16	YFM200 MOTO 4 85-89	M763-80-06
TRX250EX SPORTRAX 01-07	M763-20-14	YTM125/175 TRI-MOTO 82-85	M763-80-07
TRX300EX 93-99	M763-20-15	YTM200 TRI-MOTO 83-86	M763-80-08
TRX300EX 00-07	M763-20-24	YFS200 BLASTER 88-06	M763-80-03
ATC350X 85-86	M763-20-08	YTM225DX TRI-MOTO 83-86	M763-80-06
TRX350 4x4 86-89	M763-20-19	YTZ250 TRI-Z 84-87	M763-80-01
TRX400EX 99-07	M763-20-20	YFZ350 BANSHEE 87-06	M763-80-02
TRX450R 04-05	1011-0272	YFM350X WARRIOR 86-05	M763-80-04
TRX450R 06-07	1011-0560	YFM350 WOLVERINE 95-02	M763-80-04
KAWASAKI			
KFX50/80/90 03-07	1011-0979	YFM350 RAPTOR 04-07	M763-80-04
KSF250 MOJAVE 87-04	M763-40-02	YFM350 WOLVERINE 06-07	1011-0980
KXT250 TECATE 84-85	M763-40-03	YFM450 WOLVERINE 06-07	1011-0980
		YFZ450 04-07	1011-0001
		YFM660 RAPTOR 01-05	M763-80-12
		YFM700 RAPTOR 06-07	1011-0563

QUICK RELEASE FILTER SKINS

- + Extremely thin and durable to allow maximum airflow
- + Pull the string to remove filterskin, exposing a clean air filter surface
- + It's like cleaning your filter in seconds
- + Perfect for long, dusty races
- + Sold 3 per package
- + \$19.95

FILTER SKINS	PART#
	M819-90



PPO (PRECISION PRE-OILED) AIR FILTERS

- + Same top quality Moose Racing filters now available factory pre-oiled
- + High technology machine pre-oils filters to perfection while leaving no excess
- + No excess oil to rob horsepower, no dry spots endangering your engine
- + Oiled with top quality Moose Racing super seal filter oil that has been abused and recommended in prolonged testing
- + Save the hassle and get it done better than you can at home for only a dollar! (Over the cost of regular Moose Racing air filters)
- + Includes re-sealable filter bag
- + Made in the USA
- + \$16.95 - \$24.95

MAKE/MODEL/YEAR	PART #	MAKE/MODEL/YEAR	PART #
PRE OILED AIR FILTERS			
ARTIC CAT			
DVX400 04-06	1011-0869	KAWASAKI	
HONDA			
ATC110 83-85	1011-0854	KFX400 03-06	1011-0869
ATC125M 84-85	1011-0854	KFX450R 07	1011-1029
ATC125M 86	1011-0855	POLARIS	
TRX125 84-86	1011-0855	ALL 2-STROKE (EXCEPT 400L) 87-01	1011-0852
TRX125M 87-88	1011-0855	TRAILBLAZER 250 Thru 01	1011-0852
ATC185S 83-85	1011-0854	TRAILBLAZER 250 Thru 01	1011-0852
ATC200 81-82	1011-0855	SPORT 400L 96-98	1011-0852
ATC200 83-85	1011-0854	SCRAMBLER 400 95-04	1011-0853
ATC200E 82-83	1011-0854	SCRAMBLER 500 4-STR 99-07	1011-0853
ATC200ES 84	1011-0854	SUZUKI	
ATC200M 84-85	1011-0854	LT80 87-06	1011-0866
ATC200S 84-86	1011-0854	LTR450R QUADRACER 06-07	1011-0879
ATC200X 83-85	1011-0855	LTZ400 QUADSPORT 02-07	1011-0869
ATC200X 86-87	1011-0855	YAMAHA	
TRX200 84-86	1011-0856	YFAI 125 BREEZE 89-05	1011-0871
TRX200 89-98	1011-0857	YFS200 BLASTER 88-06	1011-0871
TRX200SX 86-88	1011-0857	YTM225DX TRI-MOTO 83-86	1011-0874
ATC250ES 85-87	1011-0857	YFZ350 BANSHEE 87-06	1011-0870
ATC250R 82	1011-0857	YFM350X WARRIOR 86-05	1011-0872
ATC250R 83-84	1011-0857	YFM350 RAPTOR 04-07	1011-0872
ATC250R 85-86	1011-0859	YFZ450 04-07	1011-0877
ATC250SX 85-87	1011-0859	YFM660 RAPTOR 01-05	1011-0876
TRX250EX SPORTRAX 01-07	1011-0859	YFM700 RAPTOR 06-07	1011-0880
TRX300EX 93-99	1011-0859		
TRX400EX 99-07	1011-0862		
TRX450R 04-05	1011-0885		
TRX450R 06-07	1011-0878		

POWER KIT

- + Give your ATV extra power with one entire package
- + This kit delivers better throttle response with an average gain of 10-15% in horsepower
- + Kit includes a K&N filtercharged air filter, Moose Racing Dynojet jet kit, Outerwears air filter, Outerwears water repellent prefilter, K&N service kit and complete instructions
- + \$132.95 - \$273.95

MAKE/MODEL/YEAR	PART #	MAKE/MODEL/YEAR	PART #
ATV POWER KIT			
BOMBARDIER			
DS650 00-07 (all)	MPK702	LTZ400 03-04	1007-0082
DS650 (Race) 00-07	MPK702-1	LTZ400 03-04 (Pro kit)	MPKP312
HONDA			
TRX250EX 01-05	MPK110	LTZ400 05-07	1007-0165
TRX250EX/Sportrax 06-07	1007-0212	YAMAHA	
TRX300EX 93-07	MPK101	YFS200 Blaster 88-06	MPK419
TRX400EX 99-07	MPK107	YFM350 Raptor 04-07	1007-0127
TRX400EX 99-07 (Pro kit)	MPK107	YFM350FX Wolverine 4x4 94-95	MPK402
TRX450R 04-05	1007-0121	YFM350FX Wolverine 4x4 96-04	MPK403
TRX450R 06-07	1007-0195	YFM350FX Wolverine 4x4 96-04 (Pro kit)	MPKP403
KAWASAKI			
KSF250 Mojave 87-04	MPK201	YFM350X Warrior 350 93-04	MPK406
KEF300 Lakota 95-03	MPK202	YFM350X Warrior 350 93-04 (Pro kit)	MPKP406
KFX400 03-04	1007-0077	YFZ350 Banshee 87-06	MPK400
KFX400 03-04 (Pro kit)	MPKP312	YFZ350 Banshee 87-06	MPK400-1
KFX400 05-07	1007-0196	(Race kit w/ two filters and two covers)	
KFX700 04-07	1007-0078	YFZ450 04-05	1007-0120
POLARIS			
Phoenix 200/LE 05-06	1007-0214	YFZ450 06	1007-0201
Predator 500 03-07	MPK518	YFM660R Raptor 01-05	MPK414
Predator 500 (Race) 03-07	MPK518-1	YFM660R Raptor 01-05 (Pro kit)	MPKP414
Scrambler 500 H.O. 4x4 98-07	MPK504		

JET KITS

- + Stage 1 kits: Designed for ATV's with stock engines using the stock airbox, air filter and stock or after-market exhaust. Improve throttle response and driveability. Power increases of approximately 5% throughout the entire power range
- + Stage 2 kits: Designed for ATV's with stock or mildly modified engines using well designed stock or aftermarket exhausts with a modified airbox and stock or replacement air filter. For applications where individual air filters cannot be installed and where airbox modifications improve overall engine performance. A power increase of 8% can be achieved in most cases
- + Stage 3 kits: Designed for ATV's with stock or mildly modified engines using individual air filters and a stock or aftermarket exhaust. In most cases power increases 10-15%; driveability may be compromised in short-stroke high RPM motors. On some modern engine and airbox designs, individual filters and proper jetting offer no performance improvement and compromise driveability (stage 3 kits are not available in such cases)
- + \$57.95 - \$82.95

MAKE/MODEL/YEAR	STAGE	PART #	MAKE/MODEL/YEAR	STAGE	PART #
ATV JET KITS					
ARCTIC CAT					
400 DVX 04	1,2	1007-0123	300 HawkEye 06-07	1	1007-0216
400 DVX 05-07	1,2	1007-0101	500 Scrambler H.O 98-07	1	MQ504
BOMBARDIER					
DS750 06-07	1	1007-0273	500 Predator 03-07	1,3	MQ518
DS650 00-07	1,3	MQ702	500 Outlaw 06-07	1,2,3	1007-0278
			525 Outlaw 07	1	1007-0276
HONDA					
TRX250EX 01-05	1,2	MQ110	SUZUKI		
TRX250EX 06-07	1,2	1007-0188	LT160 91-01	2	MQ301
TRX300 EX 92-06	1,2	MQ101	LTZ250 03-07	1	MQ314
TRX400EX 99-07	1,2	MQ107	QuadSport LTZ400 03-04	1,2	MQ312
TRX450R 04-05	1,2	1007-0089	QuadSport LTZ400 05-07	1,2	1007-0100
TRX450R 06-07	2	1007-0172	YAMAHA		
KAWASAKI					
250 Mojave 87-04	1	MQ201	YFS200 Blaster 88-06	1,2	MQ419
KEF300 Lakota 95-04	1	MQ202	YFM350 FW Wolverine 94-95	1	MQ402
KFX400 03-04	1,2	MQ213	YFM350 FW Wolverine 96-05	1	MQ403
KFX400 05-06	1,2	1007-0099	350 Wolverine 06-07	1	1007-0275
POLARIS					
200 Sawtooth 06-07	1	1007-0215	YFM350 Warrior 93-04	1,2	MQ406
200 Phoenix 05-06	1	1007-0194	YFZ350 Banshee 87-06	3	MQ4320
200 Phoenix 07	1	1007-0277	350 Raptor 04-07	1	1007-0095
			YFZ450 04-05	1,2	1007-0076
			YFZ450 06-07	1,2	1007-0168
			YFM660 Raptor 01-05	2	MQ414

AIR FILTER ADAPTERS

- + Allows replacement of stock air filter with high performance K&N filter
- + Precision designed to increase airflow and improve throttle response
- + CNC-machined from 6061-billet aluminum
- + O-ring sealed to prevent leaks
- + For use with K&N airfilter and Outerwears prefilters;
- + for filter and pre-filter part numbers see chart below
- + \$40.95 - \$75.95

MAKE/MODEL/YEAR	K&N FILTER	OUTERWEARS PRE-FILTER	MOOSE RACING ADAPTER
ATV AIRFILTER ADAPTER			
HONDA			
TRX400EX 99-05	RU-2430	WR15755T	1011-0489
KAWASAKI			
KFX400 03-05	RB-0900	WRQ144T	1011-0490
SUZUKI			
LTZ400 03-05	RB-0900	WRQ144T	1011-0490
YAMAHA			
YFM350 WOLVERINE 95-05	RB-0910	WRQ145T	1011-0488
YFM350 WARRIOR 86-04	RB-0910	WRQ145T	1011-0488
YFZ350 BANSHEE 87-05	YA-3502	WRQ156T	1011-0487
YFM660R RAPTOR 01-05	1011-0495	1011-0494	1011-0491



ELECTRICAL

MOOSE BATTERIES

- + Pre-filled, sealed, charged, and ready to go
- + Sulfation retardant
- + Advanced lead-calcium technology
- + Exceptional resistance to vibration
- + Vast impact in extreme weather condi
- + \$46.95 - \$89.95

MAKE/MODEL/YEAR	PART#	MAKE/MODEL/YEAR	PART#
ARCTIC CAT			
50 all	2113-0046	KSF80 KXF 03-05	2113-0046
90 all	2113-0045	KFX90 07	2113-0047
BOMBARDIER / CAN AM			
D550 02-06	2113-0045	KEF300A Lakota 95-00	2113-0051
D590/90F 02-06	2113-0045	KEF300B Lakota Sport 01-03	2113-0051
		KFX700 V-Force 03-04	2113-0050
CANNONDALE			
Blaze/Cannibal/FX400/Moto 4	2113-0048	50 Predator 04-06	2113-0046
40/Speed 02-03 FX400 01	2113-0048	MXU150 all	2113-0048
E-TON			
AXL/NXL/RXL/TXL 99-03	2113-0045	Mongoose 250, MXU250 all	2113-0049
DXL90 Sierra 00-03	2113-0046	MXU300 all	2113-0049
CXL/YXL 150 Yukon 00-03	2113-0048	POLARIS	
All Models 04-05	2113-0046	50 Predator 04-06	2113-0046
HONDA			
TRX90 06-07	2113-0046	50 Scrambler 01-02	2113-0045
ATC125M 86-87	2113-0049	50 Scrambler 03	2113-0046
TRX125 FourTrax 87-88	2113-0048	90 Scrambler/Sportsman 01-02	2113-0045
ATC200E 82-83	2113-0051	90 Predator/Sportsman 03-06	2113-0046
ATC200ES Big Red 84	2113-0051	500 Predator 03-06	2113-0048
ATC200M 84	2113-0051	SUZUKI	
TRX200 84	2113-0051	Z50 Quad Sport 06-07	2113-0046
ATC250ES Big Red 85-87	2113-0049	LT80 Quad Sport 87-06	2113-0046
ATC250SX 85-87	2113-0049	LT Z90 07	2113-0047
TRX250EX Sportrax 01-07	2113-0048	LT-Z250 Quad Sport 04-07	2113-0048
TRX300EX Sportrax 93-07	2113-0048	LT-Z400 Quad Sport 04-07	2113-0048
TRX400EX Sportrax 99-07	2113-0048	LT-R450 Quad Racer 06-07	2113-0047
KASEA			
50 Mini Skyhawk all	2113-0045	YAMAHA	
50 Skyhawk all	2113-0046	YFM200 85	2113-0051
65 KS/KU Models all	2113-0047	YFM200DX Moto 4 86-89	2113-0051
90 Skyhawk all	2113-0046	YTM200E TriMoto 83-84	2113-0051
90 KS/KU Models all	2113-0047	YTM200ER TriMoto 85	2113-0051
125 KS/KU Models / Adventure Buggy all	2113-0047	YTM225DR TriMoto 85-86	2113-0049
150 Skyhawk / Adventure Buggy all	2113-0047	YTM225DX TriMoto 83-84	2113-0051
170 Skyhawk all	2113-0047	YFM250 Moto 4 89-91	2113-0051
250 Skyhawk all	2113-0047	YFM350ER Moto 4 87-90, 92-95	2113-0051
		YFM660R Raptor 01-05	2113-0050



MOOSE PART #	YUASA EQUIVALENT PART #	SUG. RETAIL PRICE
2113-0045	YTX4L-BS	\$46.95
2113-0046	YTX5L-BS	\$66.95
2113-0047	YTX7A-BS	\$83.95
2113-0048	YTX9-BS	\$71.95
2113-0049	YTX12-BS	\$72.95
2113-0050	YTX14-BS	\$76.95
2113-0051 ^A	YTX14AH-BS	\$83.95
2113-0052 ^B	YTX20HLBS	\$89.95

^A This battery is an upgrade replacement for the following standard batteries: YB14A-A1, YB14A-A2, YB14-A2 and YB14-B2.
^B This battery is an upgrade replacement for the following standard battery: YTX20L-BS.



BATTERY TENDER® JUNIOR

- + Fully automatic two stage lead acid battery charger available in 12v model
- + Lightweight, compact size ideal for tight spots
- + Trickle charger maintains batteries after charging, ensures they are always primed to go. Ideal for all lead acid, sealed maintenance free and gel-cell batteries
- + After full 14.4 VDC charge is reached, converts to float charger and monitors battery at 13.2V. When voltage drops below 12.6VDC charger resumes charging back to 14.4VDC
- + Two color LED indicator
- + Spark proof; reverse polarity protected. Quick connect harness and 12' output cord
- + \$31.95

BATTERY TENDER® JUNIOR	PART#
	3807-0026

IGNITION AND LIGHTING STATORS

- + Replacement stators available at a fraction of OEM cost
- + Lighting capabilities available for most current models
- + Lighting coil fits under stock flywheel with no modification required
- + 1 year warranty
- + \$59.95 - \$169.95



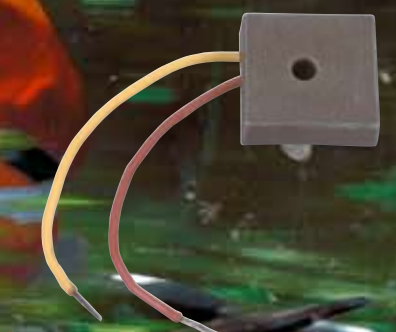
IGNITION AND LIGHTING COILS / STATORS

MAKE/MODEL/YEAR	IGNITION/LIGHTING STATOR PART #	REGULATOR/RECTIFIER PART #	PRODUCT NOTES
HONDA			
TRX90 93-00	2102-0074	-	Replacement plug in stator with lighting output
ATC110/185 80-85	2102-0032	-	Single Source coil for ignition which fits on OEM base plate
ATC 200 ALL MODELS 81-87	2102-0032	-	Single Source coil for ignition which fits on OEM base plate
ATC250R 81-84	2102-0032	-	Single Source coil for ignition which fits on OEM base plate
ATC250R 85-86	2102-0036	-	High Power Lighting Stator which is plug in replacement for OEM stator
TRX200SX 86-88	2102-0032	-	Single Source coil for ignition which fits on OEM base plate
TRX250R 86-89	2102-0036	-	High Power Lighting Stator which is plug in replacement for OEM stator
TRX300EX/FOURTRAX 93-04	2111-0096	2112-0128	High Power Lighting Stator which is plug in replacement for OEM stator
TRX400EX SPORTTRAX 99-04	2102-0035	-	High Power Lighting plug-in Stator to replace OEM stator; adds 200w of AC lighting
TRX450R 04-06	2102-0075	-	High Power Stator which is plug in replacement for OEM stator
KAWASAKI			
KFX250 04-05	-	2112-0129	Heavy Duty Regulator/Rectifier
KXT250 TECATE 84-87	2102-0046	-	Set of two Ignition Source coils. Re-use OEM base plate and wiring.
LAKOTA 300 95-02	2111-0012	-	Replacement 3-Phase Stator, re-use OEM connector and rubber grommet
KFX400 04-05	2111-0010	2112-0129	Replacement Hi Power 3-Phase Stator, re-use OEM connector and rubber grommet
SUZUKI			
LT230 QUADSPORT 85-89	2102-0032	-	Single Source coil for ignition which fits on OEM base plate
LT250 QUADRACER 84-92	2111-0090	-	OEM replacement stator on base plate and with connectors
LT500 QUADRACER 87-90	2111-0090	-	OEM replacement stator on base plate and with connectors
LT-Z400 QuadSport 04-06	2111-0010	2112-0129	Replacement Hi Power 3-Phase Stator, re-use OEM connector and rubber grommet
YAMAHA			
YFM80 MOTO-4 84-88	2102-0048	-	Single Source coil for ignition which fits on OEM base plate
YFS200 BLASTER 88-00	2102-0048	-	Single Source coil for ignition which fits on OEM base plate
YFM350 WARRIOR 90-95	2111-0091	-	Plug in replacement for OEM stator
YFM350 WARRIOR 96-01	2111-0092	-	Plug in replacement for OEM stator
YFM350 WARRIOR/RAPTOR 02-06	2111-0093	-	Plug in replacement for OEM stator
YFZ350 BANSHEE 87-94	2111-0097	-	High Power Lighting stator to replace OEM stator; 250W of lighting available.
YFZ350 BANSHEE 85-06	2102-0040	-	High Power Lighting stator to replace OEM stator; 250W of lighting available.
YFZ450R 03-06	2102-0076	-	High Power Lighting stator to replace OEM stator; 250W of lighting available.
YFM660R RAPTOR 01-05	2102-0041	2112-0130	High Power Plug in Stator to replace or upgrade OEM stator
UNIVERSAL AC REGULATOR			
ALL MODELS (12v)		2112-0090	Universal 12V AC Voltage Regulator

VOLT PACK

- + Sealed and weatherproof 12-volt regulator for off-road vehicles without a battery
- + Gives headlights and taillights longer life by regulating power and eliminating surges
- + Compact and easy to install
- + \$13.95

VOLT PACK	PART#
	2112-0090



- FACEWEAR
- YOUTH
- OUTERWEAR
- SIZING CHART
- BIKER ACCESSORIES
- BIKES & BIKES
- CASES
- CONTROLS
- GEARING
- DRIVE
- GEARINGS
- ENGINE
- ELECTRICAL
- EXHAUST
- ARMOR
- WHEELS
- TRAIL PACKS
- RAMPS & STANDS
- CONTROLS
- GEARING
- DRIVE
- SUSPENSION
- GEARINGS
- ENGINE
- ELECTRICAL
- EXHAUST
- ARMOR
- WHEELS
- RAMPS & STANDS
- TRAIL PACKS
- PROMO