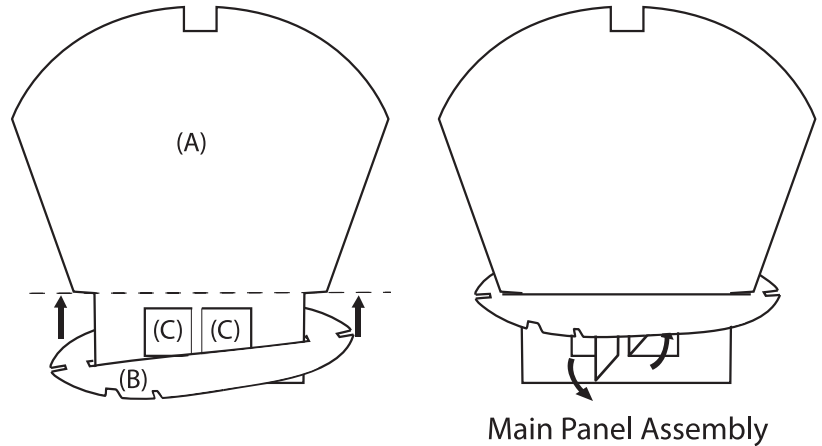
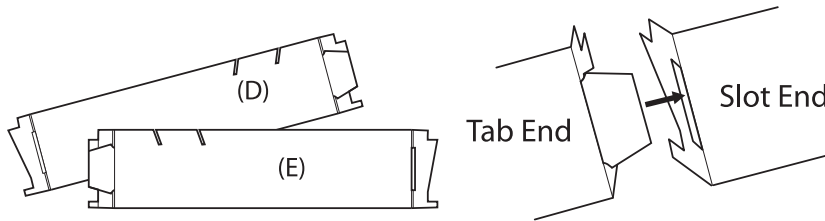


NCAA Mini Standee Assembly Instructions

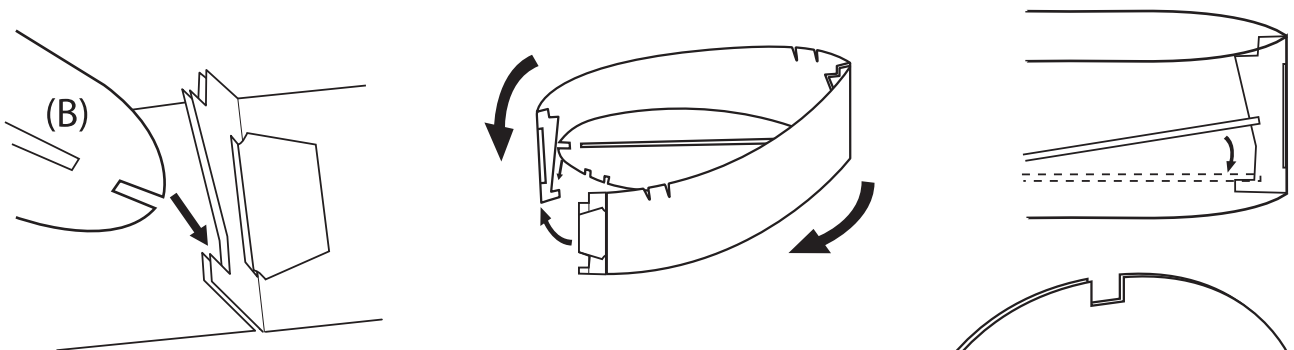
- 1) Slide one of the narrow disk-shaped panels (B) onto the main, fan-shaped panel (A) making sure the double notches along the curved edge of panel (B) are to the left. Slide it up until it stops at the upper notches in main panel. Push the small panels (C) in opposite directions to make a supporting base for Panel B.



- 2) Assemble the Base Wrap by aligning the ends of the long narrow panels (D & E) as shown and inserting the tab of one panel into the slot of the other panel. (**Do not assemble the second end yet.**)



- 3) Insert one end of the remaining narrow disk-shaped panel (B) onto the bottom Tab of the assembled side of Base Wrap. (To make the remaining steps of the Base Wrap assembly easier, it may help to keep the narrow disk-shaped panel (B) angled up slightly until the second side of the Base Wrap is complete.) Bend the panels of the Base Wrap around the narrow disk-shaped panel (B) and assemble the remaining side by inserting the end tab into the slot as done in Step 2. Lower second side of narrow disk-shaped panel (B) so it rests on the bottom Tab of the Base Wrap.



- 4) Insert the Main Panel Assembly from Step 1 into the completed Base Wrap. Make sure bottom of Main Panel Assembly exits through the long slot in the middle of the narrow disk-shaped panel (B) at the bottom of the Base Wrap.

