



BLI LEVEL 4 RENOVATION

CONSTRUCTION DOCUMENT

Owner Brigham and Women's Hospital
75 Francis Street
Boston, MA 02115
Tel. 617.732.6000
Partners Real Estate & Facilities
20 Kent Street
Brookline, MA 02445

M/E/P/F Bard, Rao + Athanas
Consulting Engineers, LLC
10 Guest St., 4th Floor
Boston, MA, 02135
Tel. 617.254.0016

Stamp

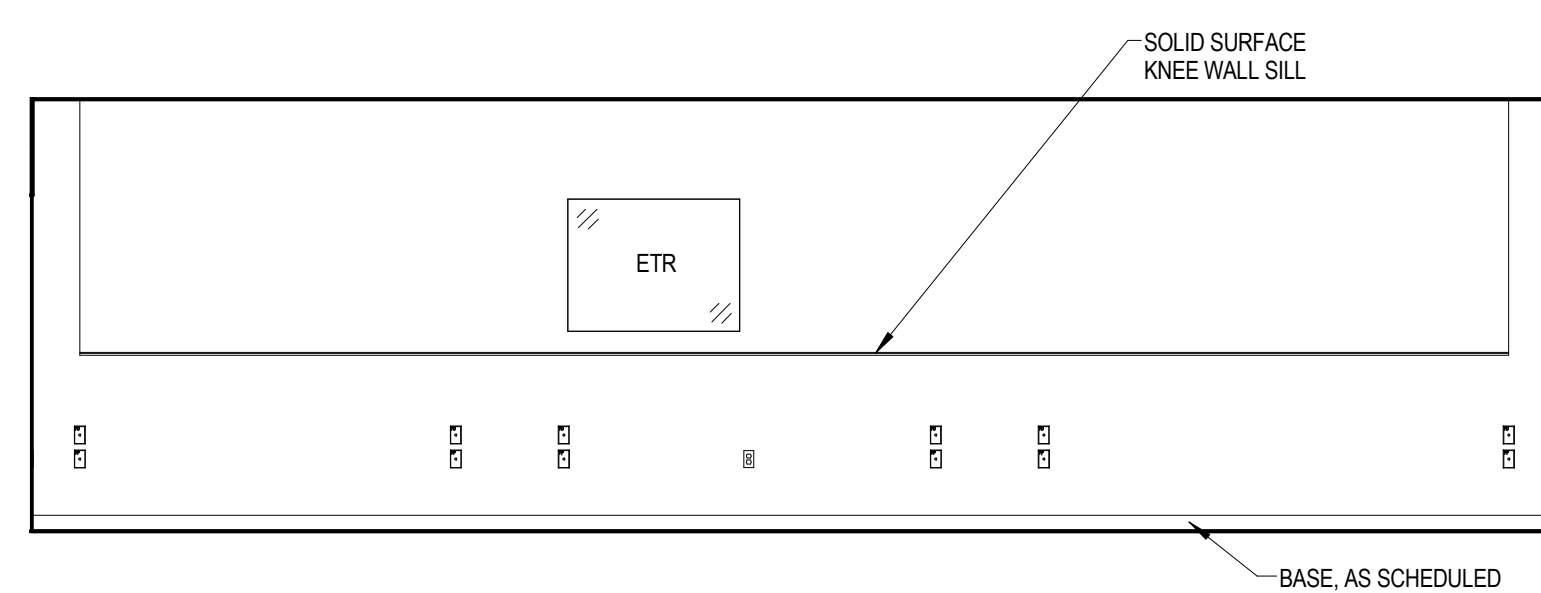
Revisions

No.	Description	Date

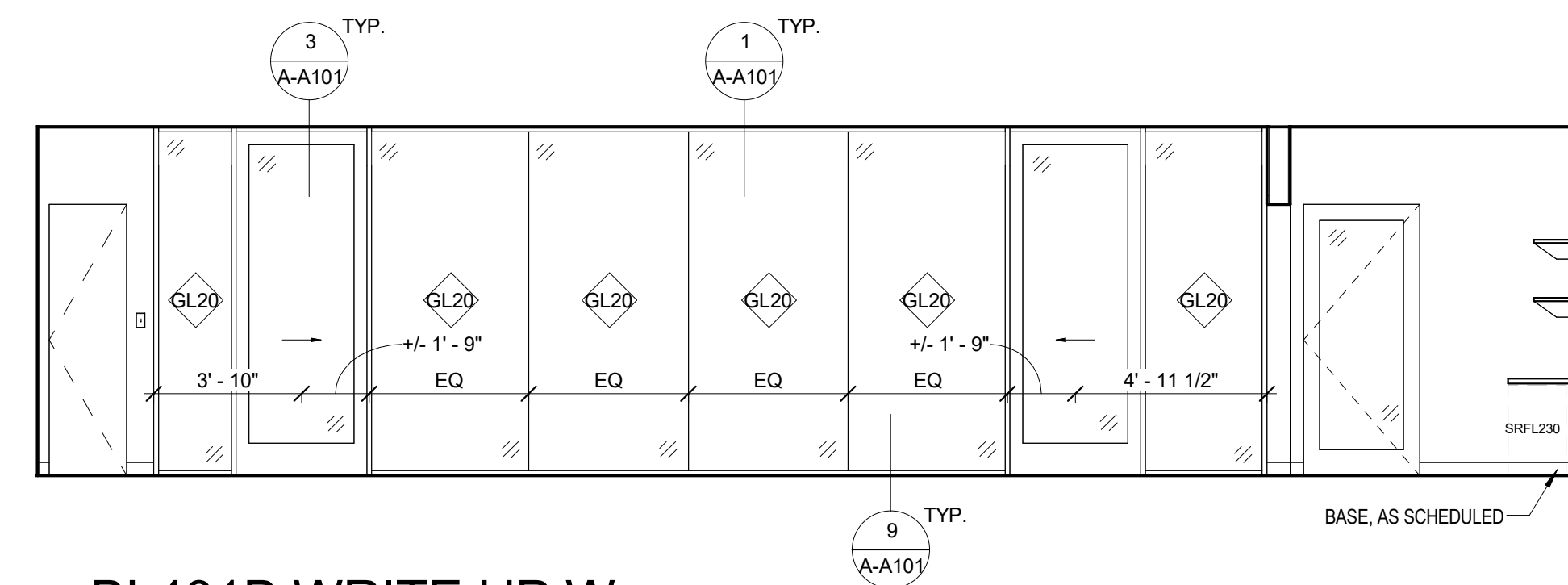
KEY PLAN

Drawing Title
**BLI LEVEL 4 INTERIOR
ELEVATIONS**

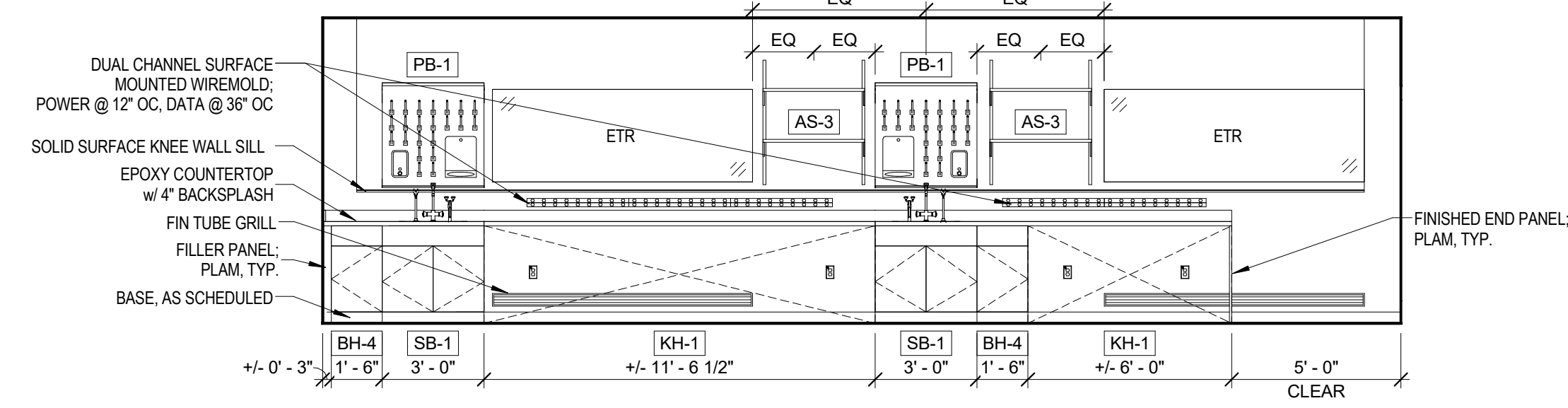
Job Number 35017-00 Drawing No.
Drawn by NM
Checked JM
Date 02/10/17
Scale 1/4" = 1'-0" **A-631**



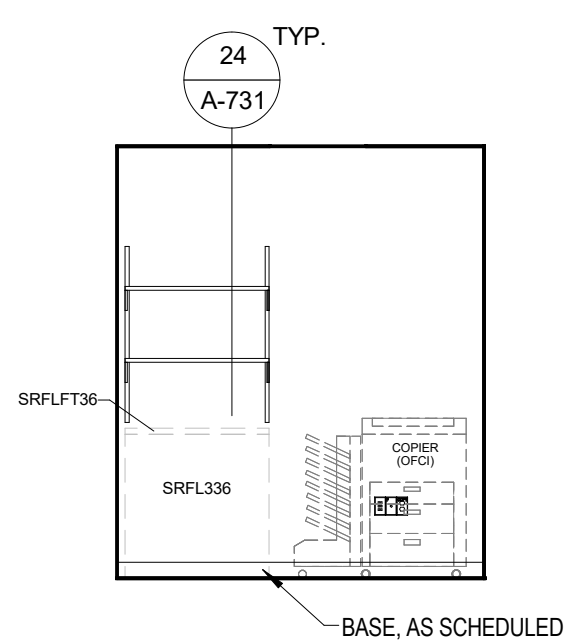
42 BL431B WRITE UP E
1/4" = 1'-0"



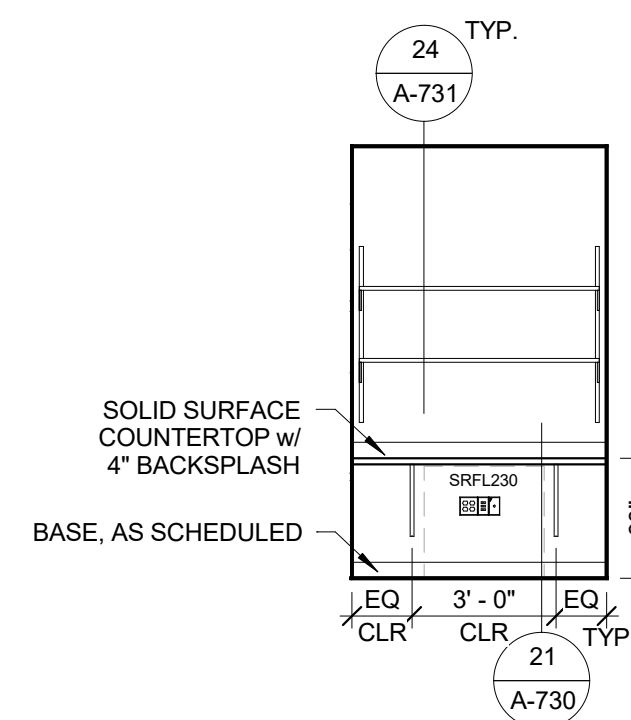
41 BL431B WRITE UP W
1/4" = 1'-0"



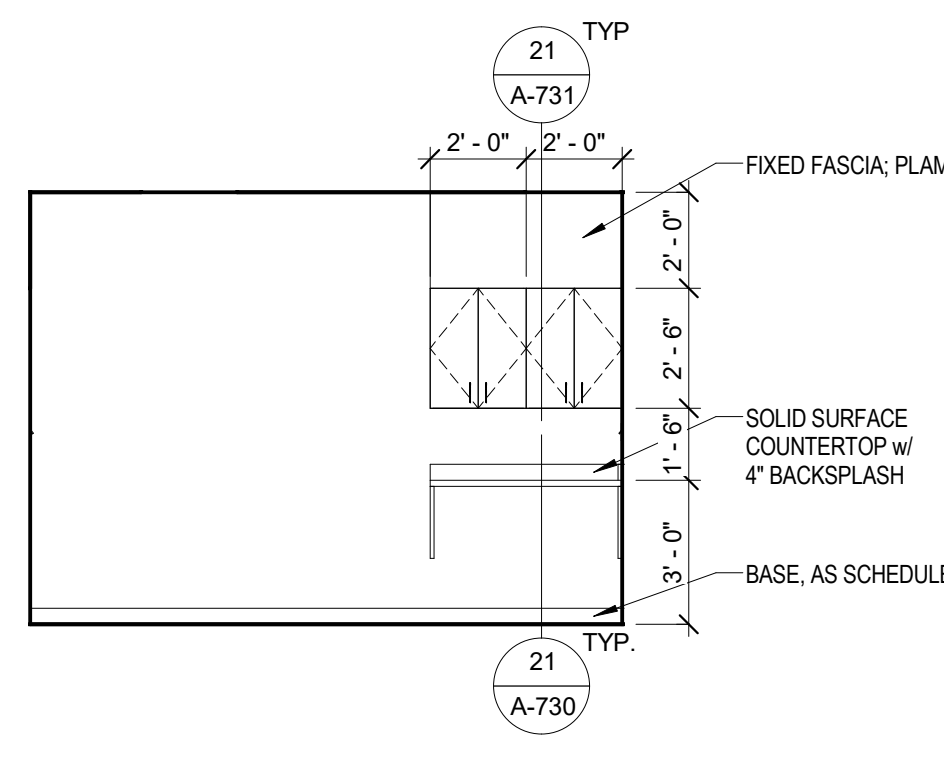
40 BL431A WET LAB E
1/4" = 1'-0"



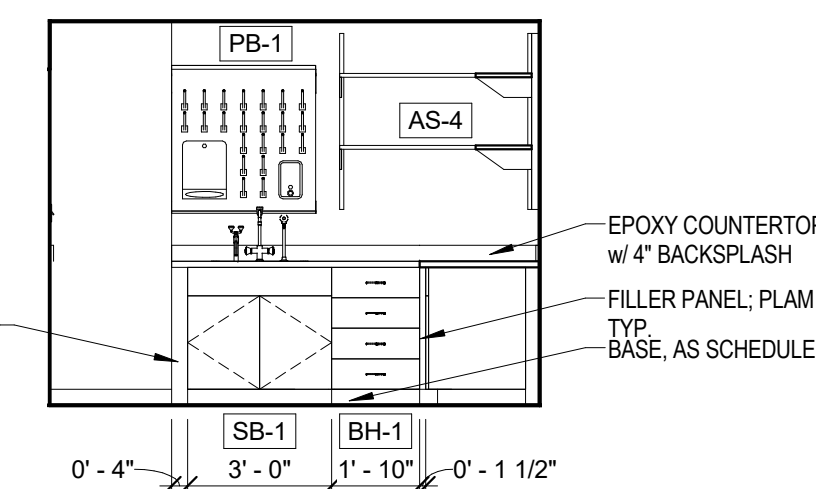
35 BL429 PASSAGE E COPY
1/4" = 1'-0"



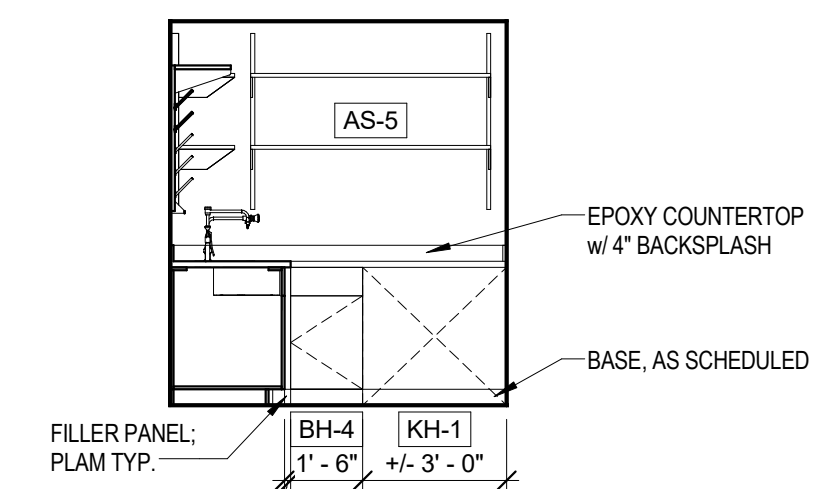
34 BL429 PASSAGE N
1/4" = 1'-0"



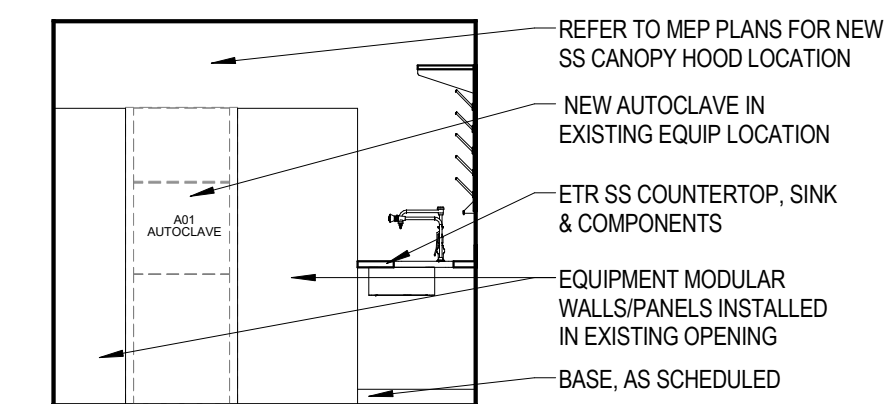
33 BL429 PASSAGE E
1/4" = 1'-0"



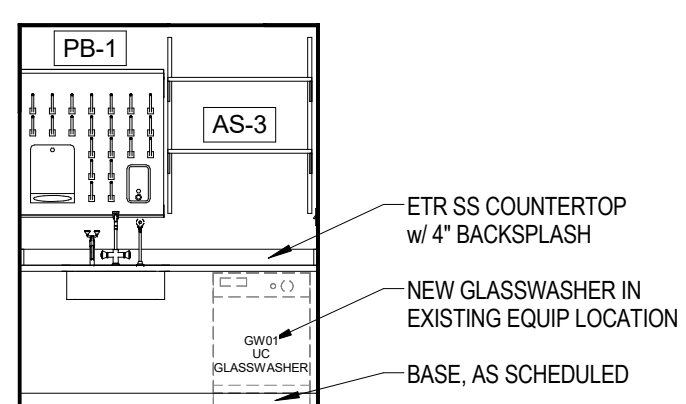
32 BL435B DARK ROOM S
1/4" = 1'-0"



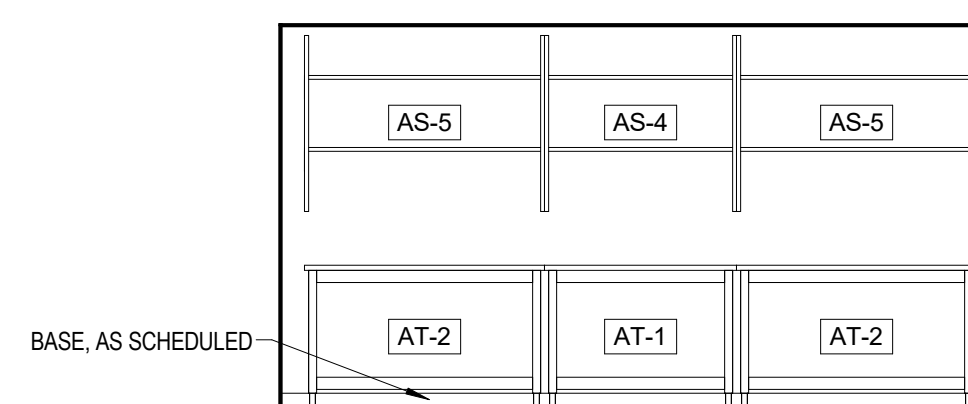
31 BL435B DARK ROOM W
1/4" = 1'-0"



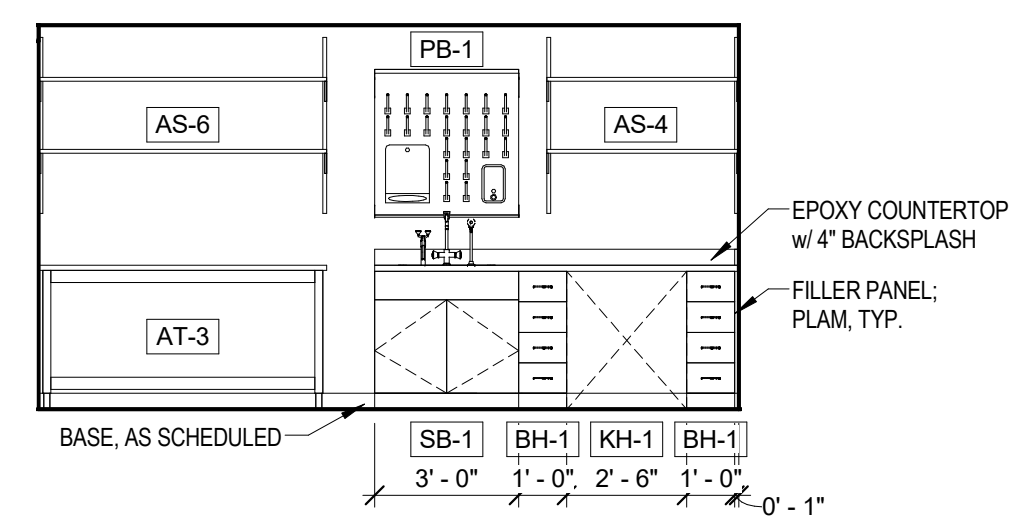
30 BL435A AUTOCLAVE W
1/4" = 1'-0"



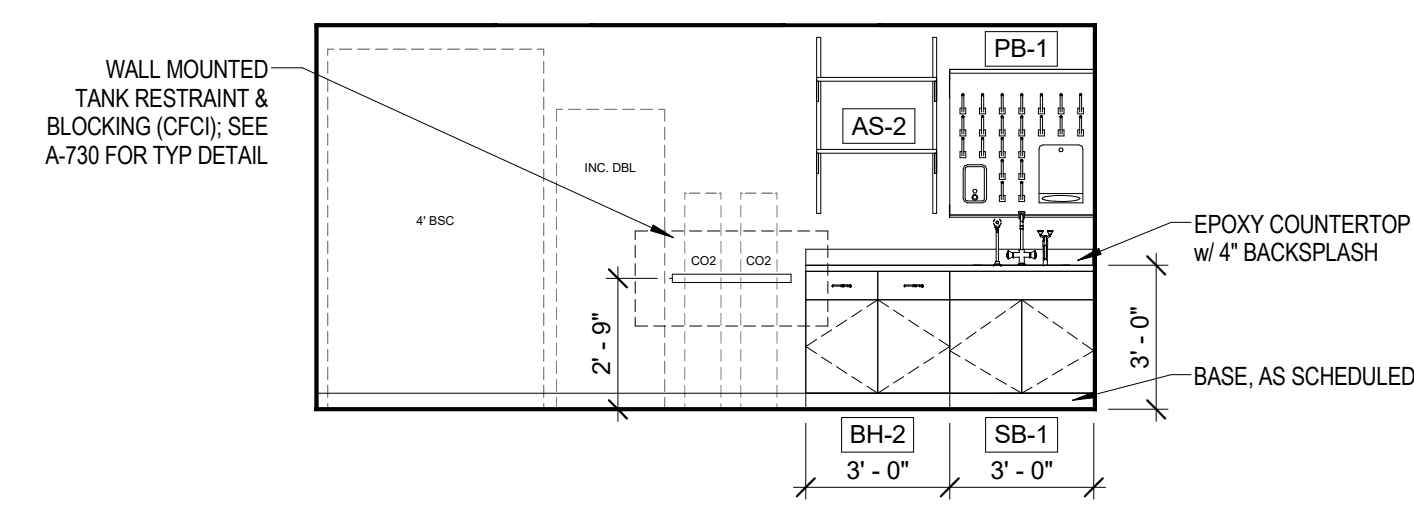
24 BL435A AUTOCLAVE N
1/4" = 1'-0"



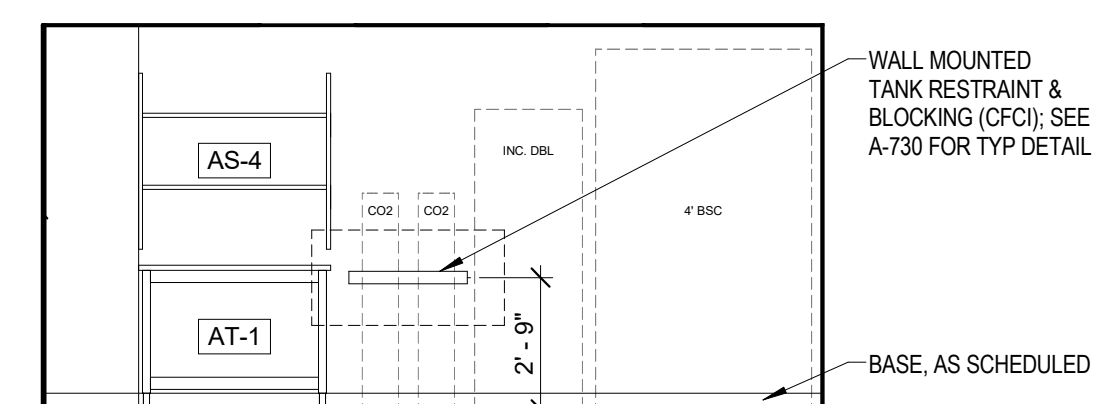
23 BL437 MICROSCOPE E
1/4" = 1'-0"



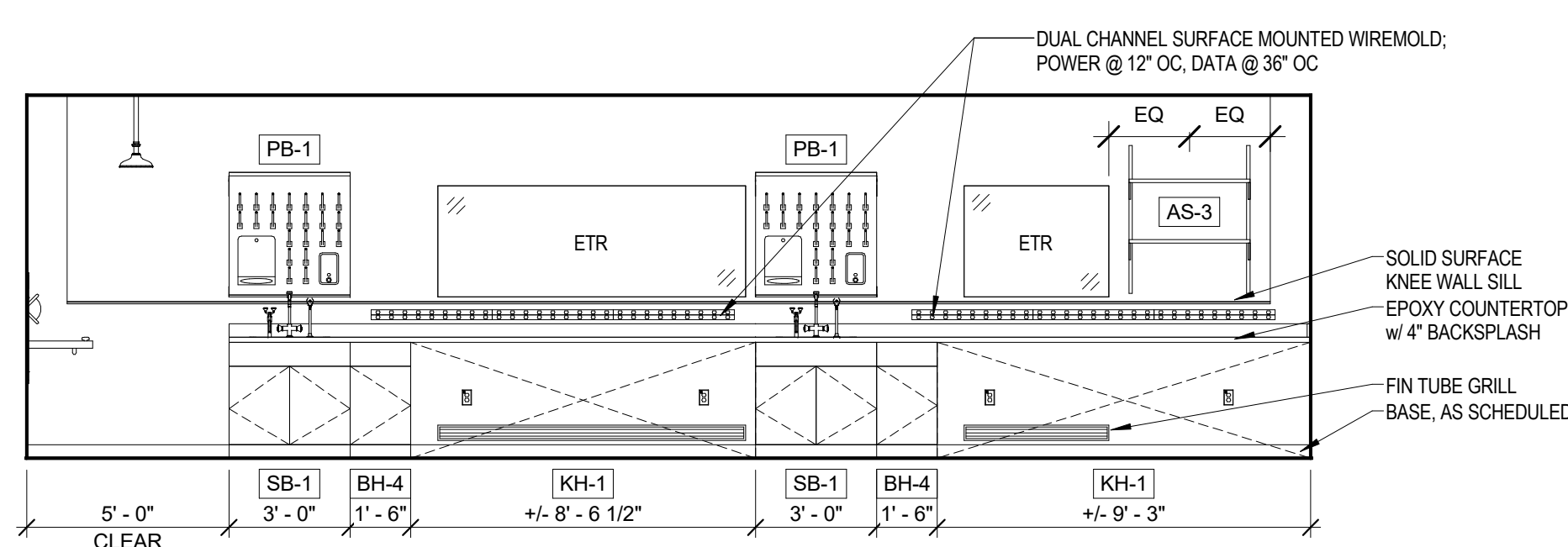
22 BL437 MICROSCOPE W
1/4" = 1'-0"



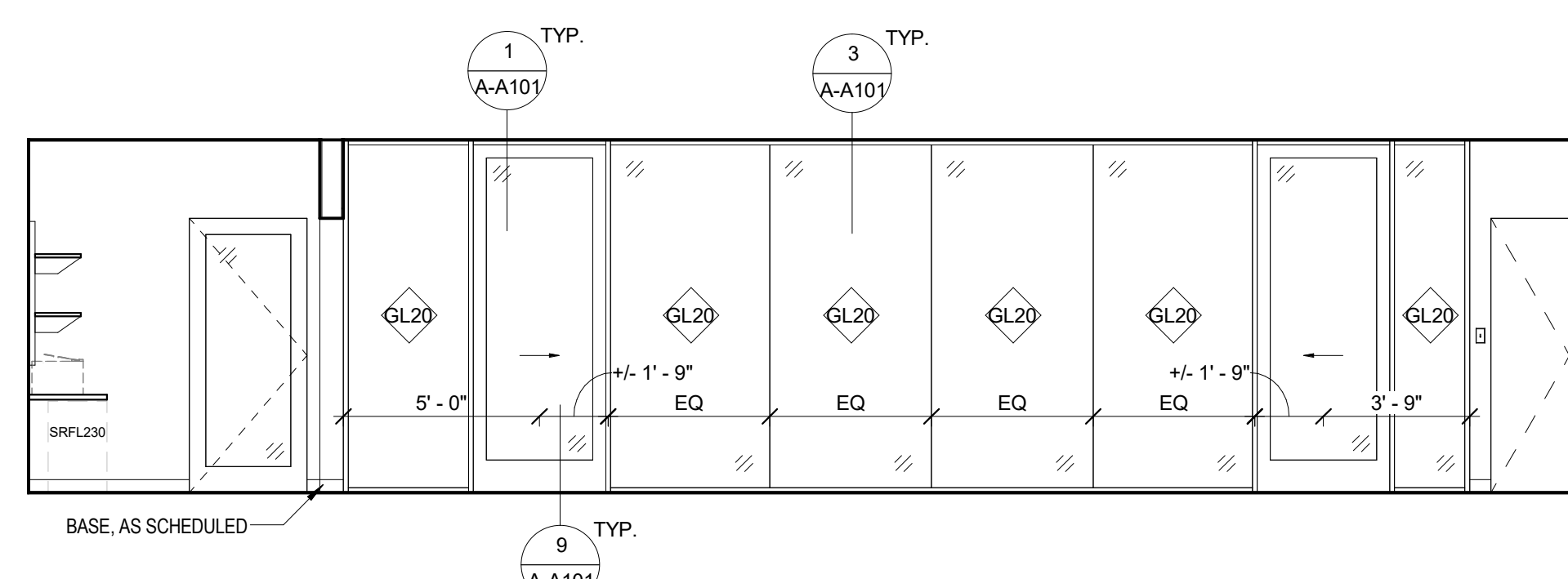
21 BL445 TISSUE CULTURE E
1/4" = 1'-0"



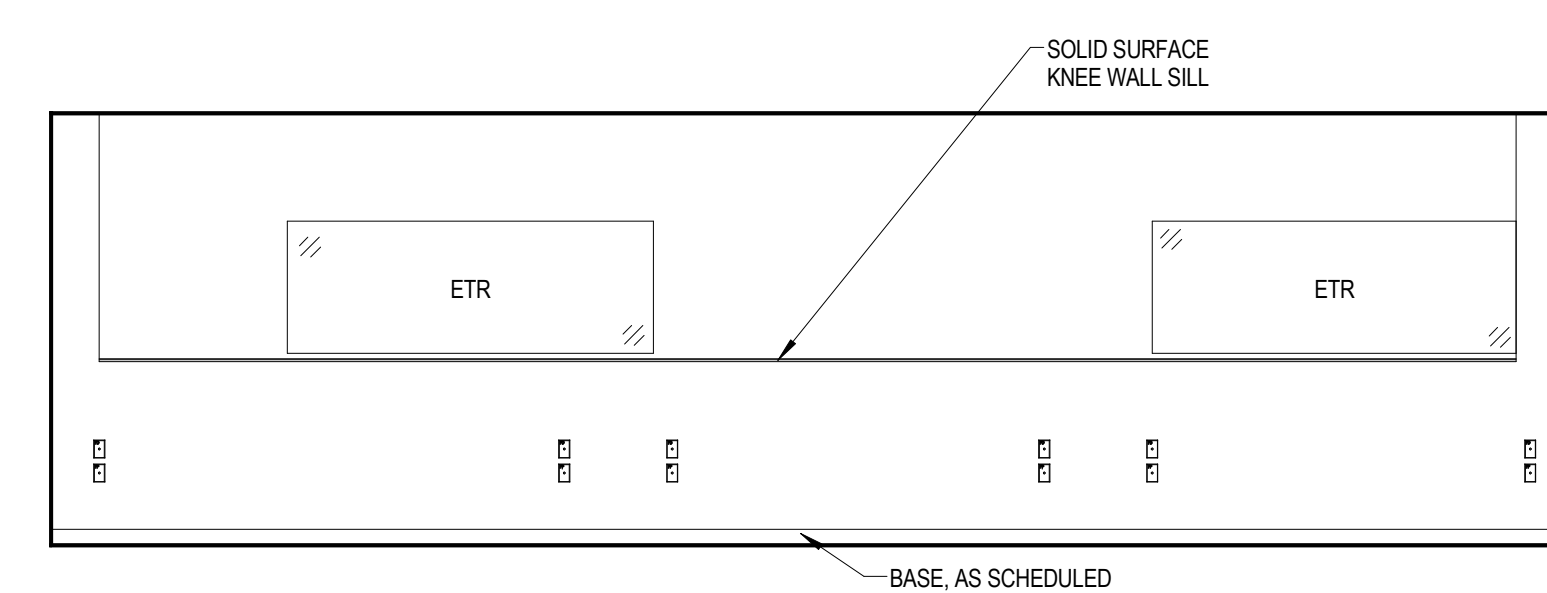
20 BL445 TISSUE CULTURE W
1/4" = 1'-0"



12 BL447A WET LAB E
1/4" = 1'-0"



11 BL447B WRITE UP E
1/4" = 1'-0"



10 BL447B WRITE UP W
1/4" = 1'-0"