



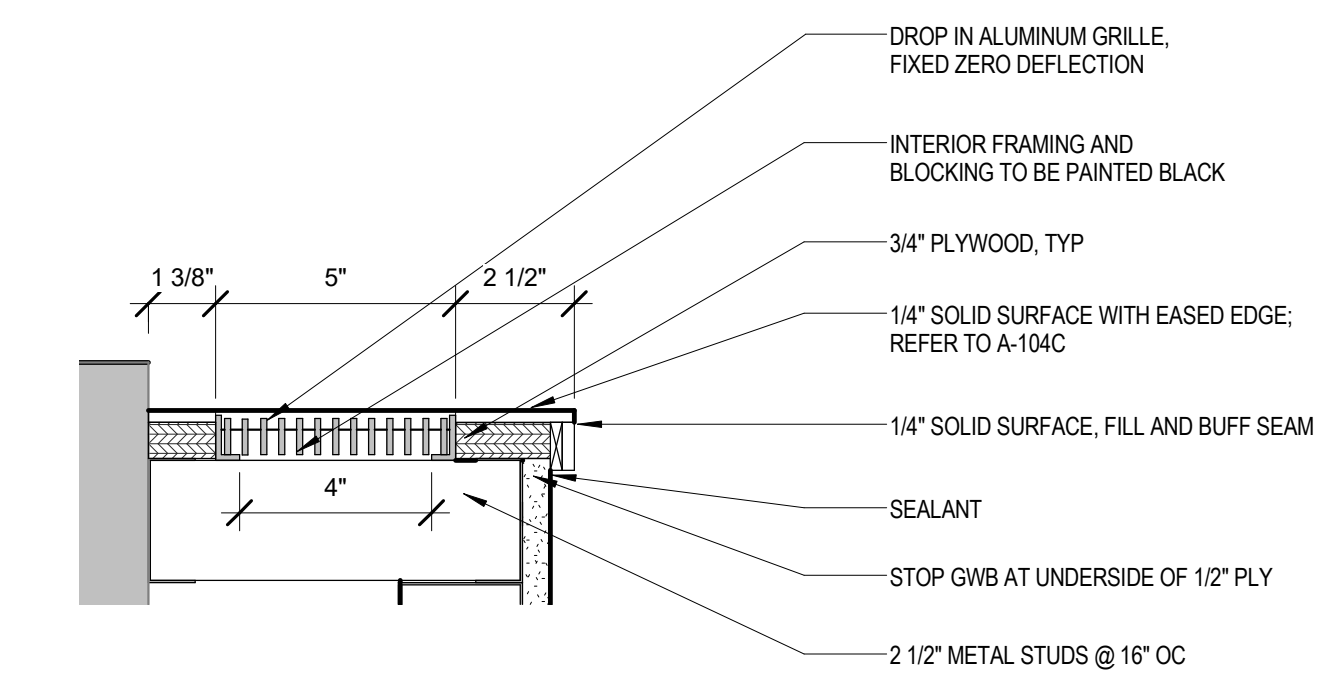
BLI LEVEL 4 RENOVATION

CONSTRUCTION DOCUMENT

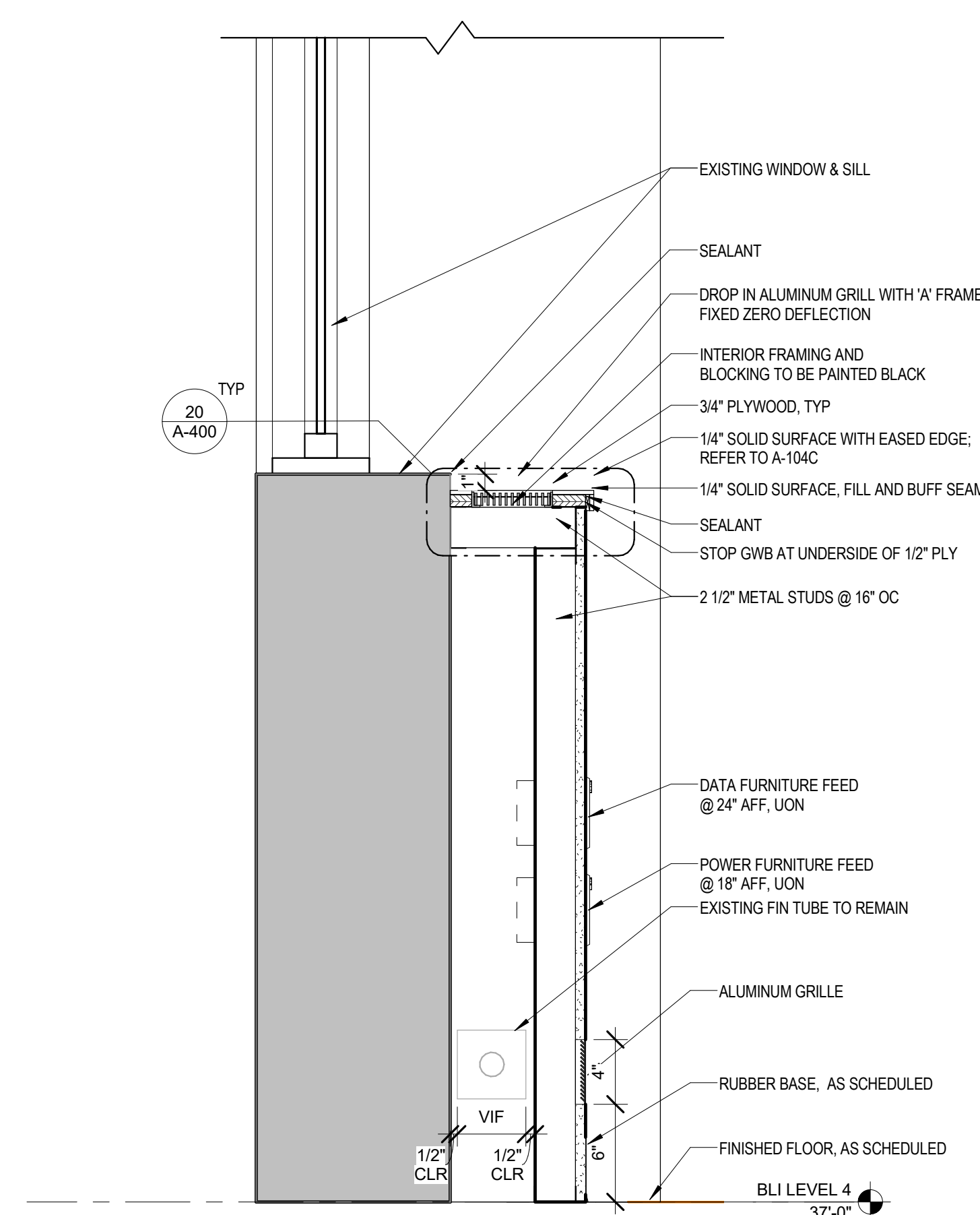
Owner Brigham and Women's Hospital
75 Francis Street
Boston, MA 02115
Tel. 617.732.6000

Partners Real Estate & Facilities
20 Kent Street
Brookline, MA 02445

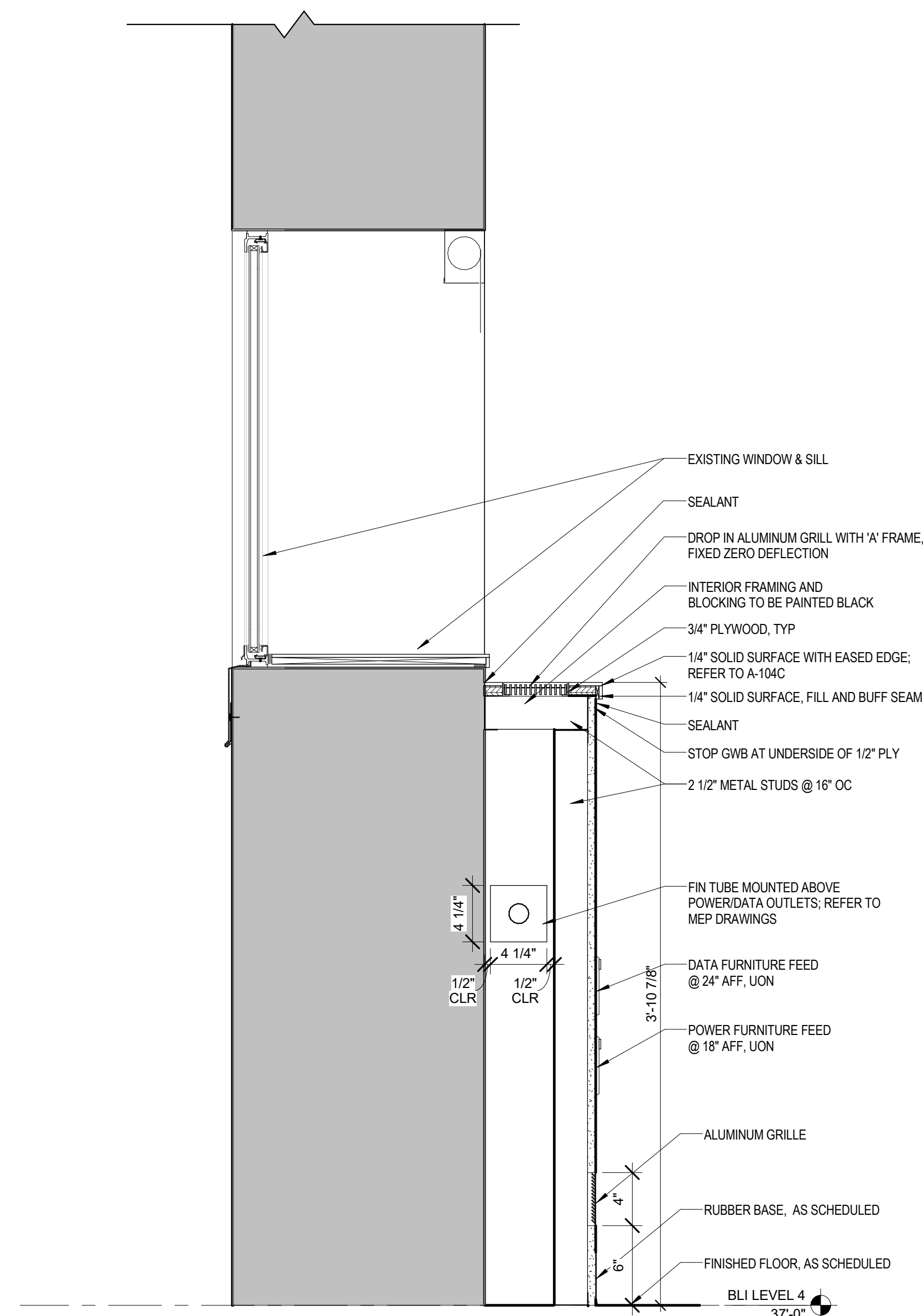
M/E/P/F Bard, Rao + Athanas
Consulting Engineers, LLC
10 Guest St., 4th Floor
Boston, MA, 02135
Tel. 617.254.0016



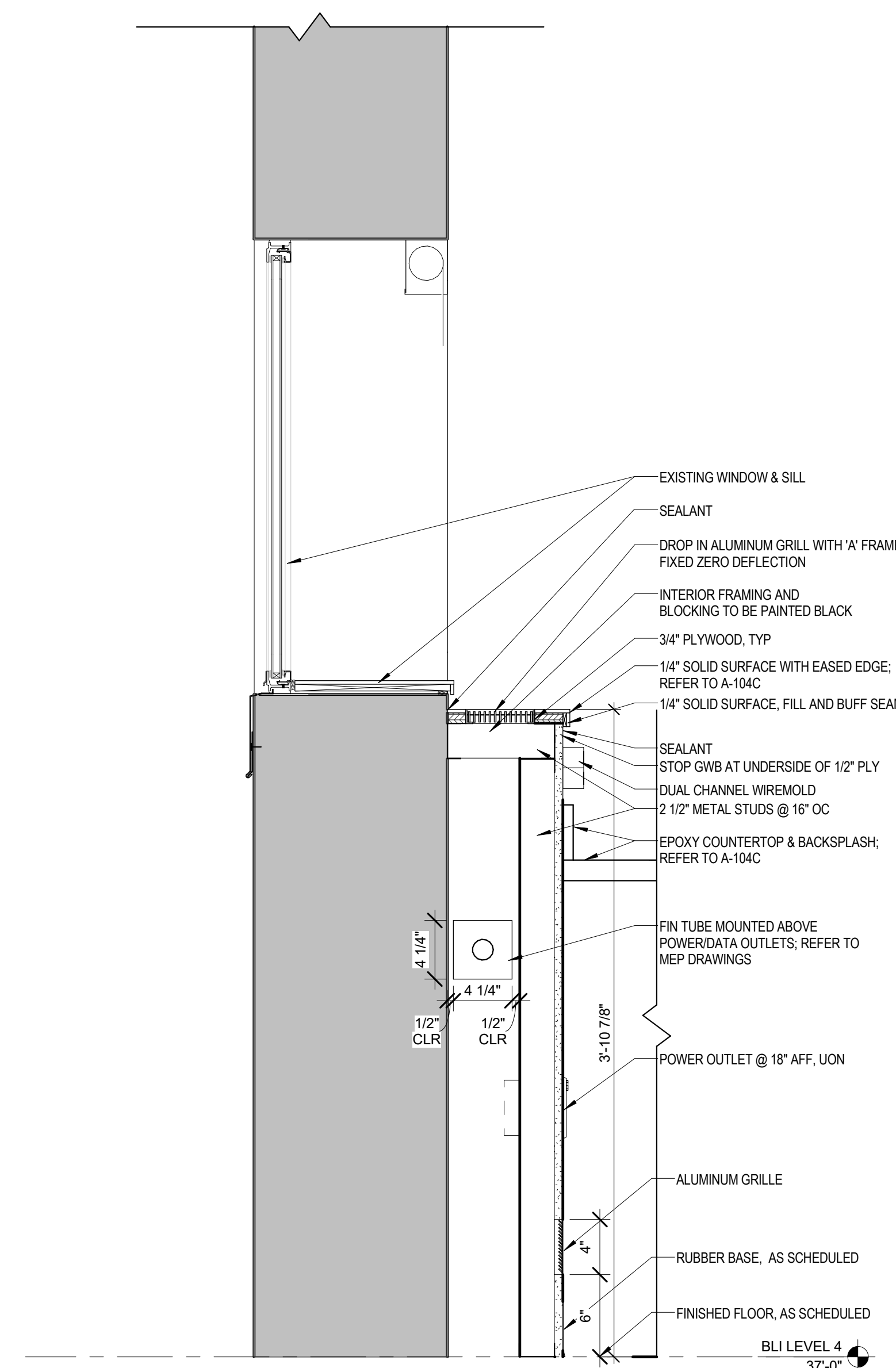
20 FIN TUBE KNEE WALL SS DETAIL
3" = 1'-0"



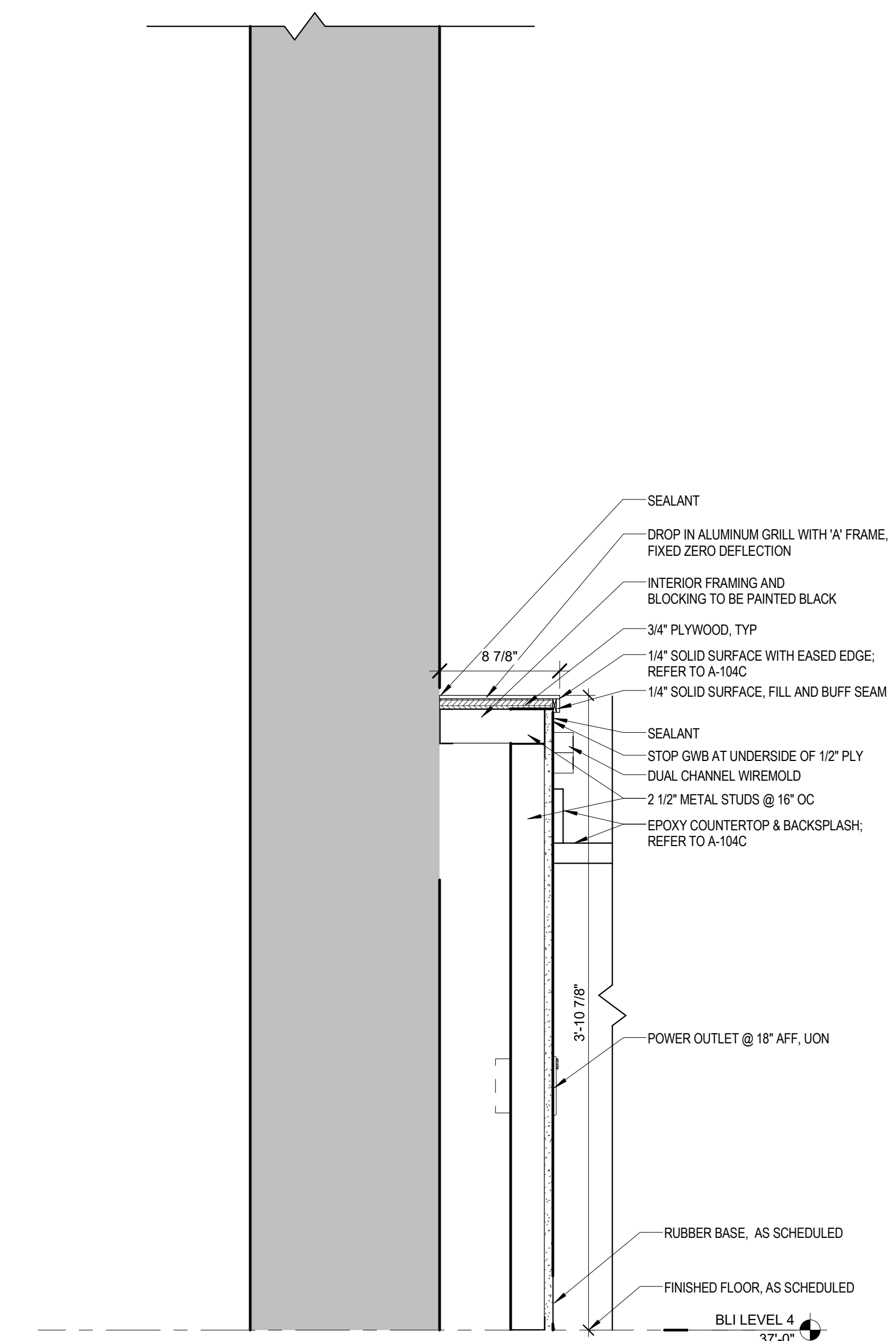
13 KNEE WALL @ EXISTING FIN TUBE SECTION DETAIL
1 1/2" = 1'-0"



12 TYP WRITE-UP KNEE WALL SECTION DETAIL
1 1/2" = 1'-0"



11 TYP LAB KNEE WALL @ WINDOW SECTION DETAIL
1 1/2" = 1'-0"



10 TYP LAB KNEE WALL SECTION DETAIL
1 1/2" = 1'-0"

Stamp

Revisions

| No. | Description | Date |
|-----|-------------|------|
| | | |
| | | |
| | | |
| | | |
| | | |
| | | |
| | | |
| | | |
| | | |
| | | |

KEY PLAN

Drawing Title

KNEE WALL DETAIL SECTIONS

Job Number 35017-00 Drawing No. A-400
 Drawn by NM
 Checked JM
 Date 02/10/17
 Scale As indicated