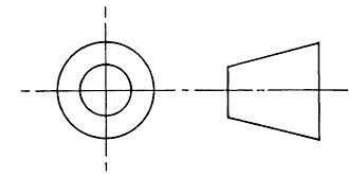
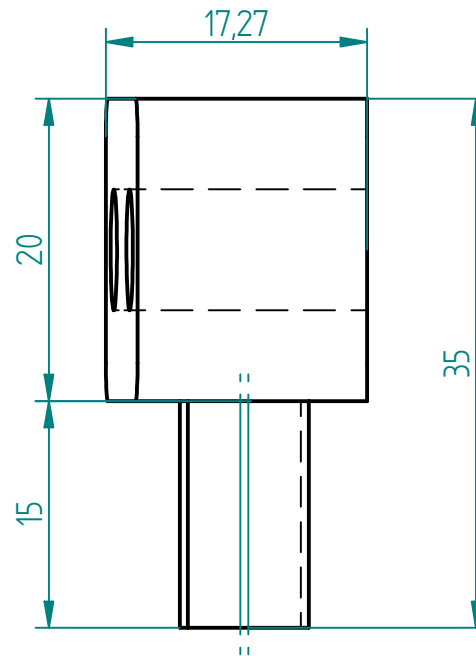
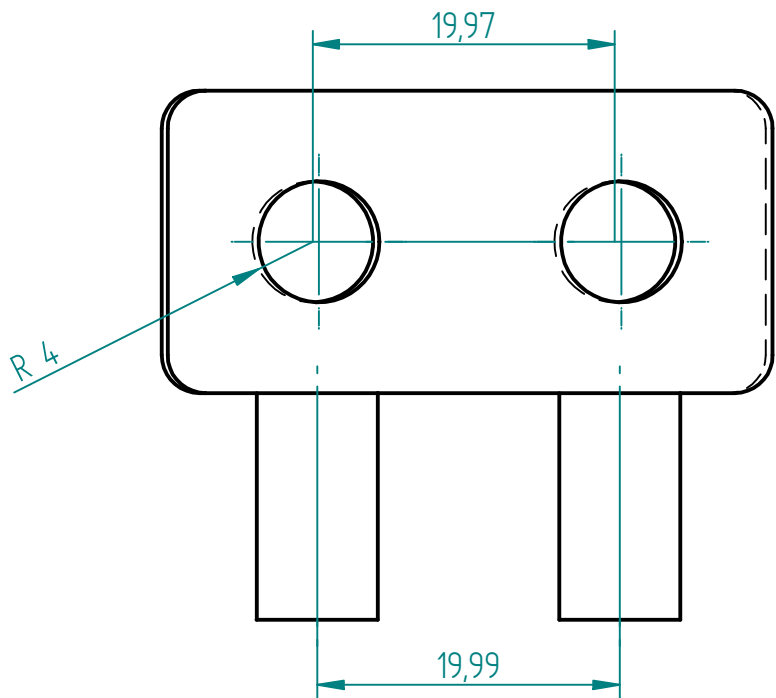
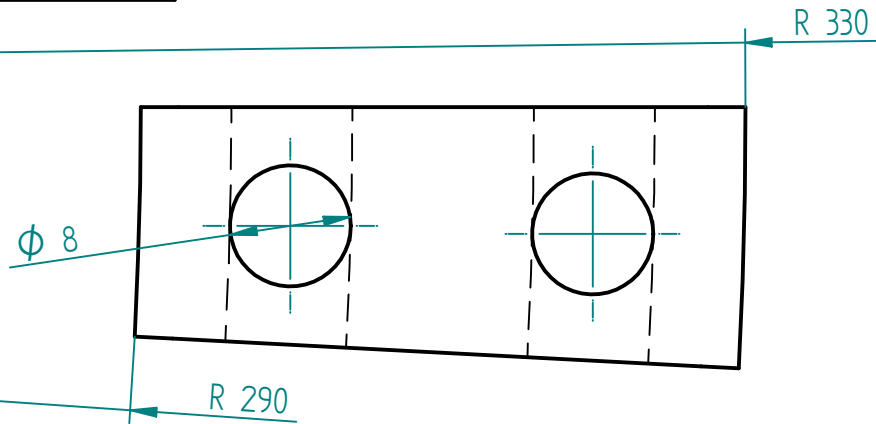


81
DWG NO

THIRD ANGLE PROJECTION



Hip Rotation Arc Hold

SIZE A4	DWG NO 18	Scale 2:1
------------	--------------	--------------

FILE NAME: Hip Rotation Arc Hold.dft

Aaron Read	2928705	Date: 15/05/14
------------	---------	----------------

SOLID EDGE ACADEMIC COPY

*All Measurements in MM.