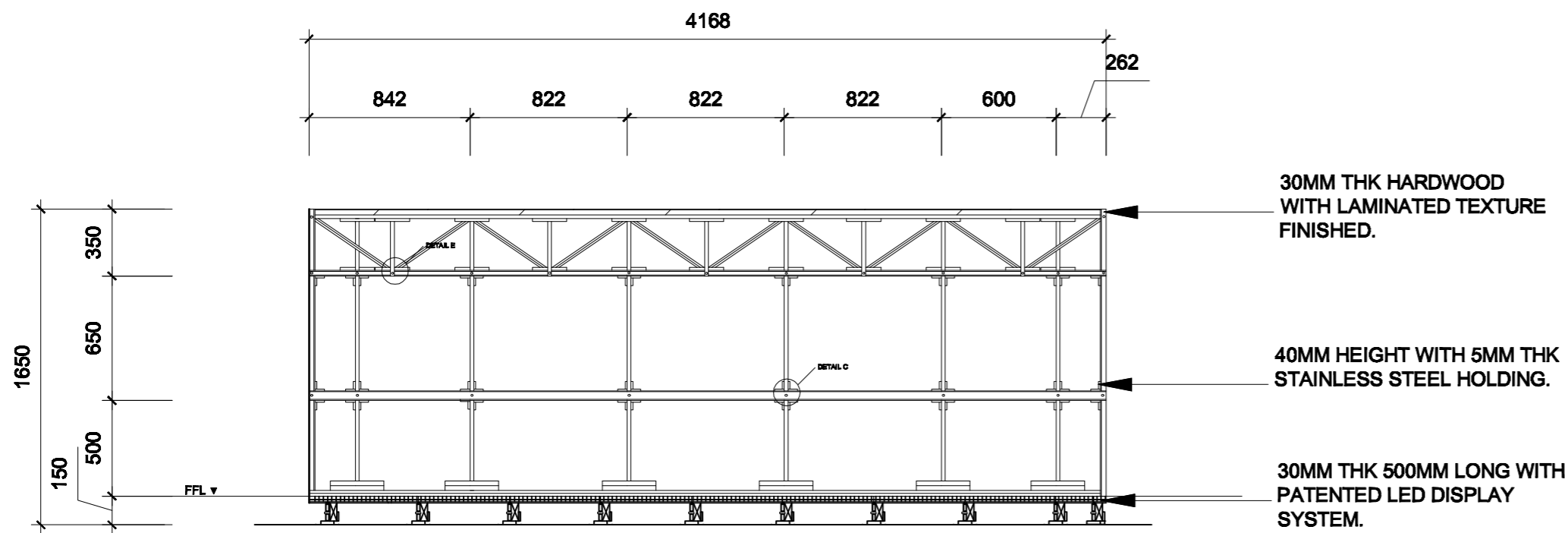
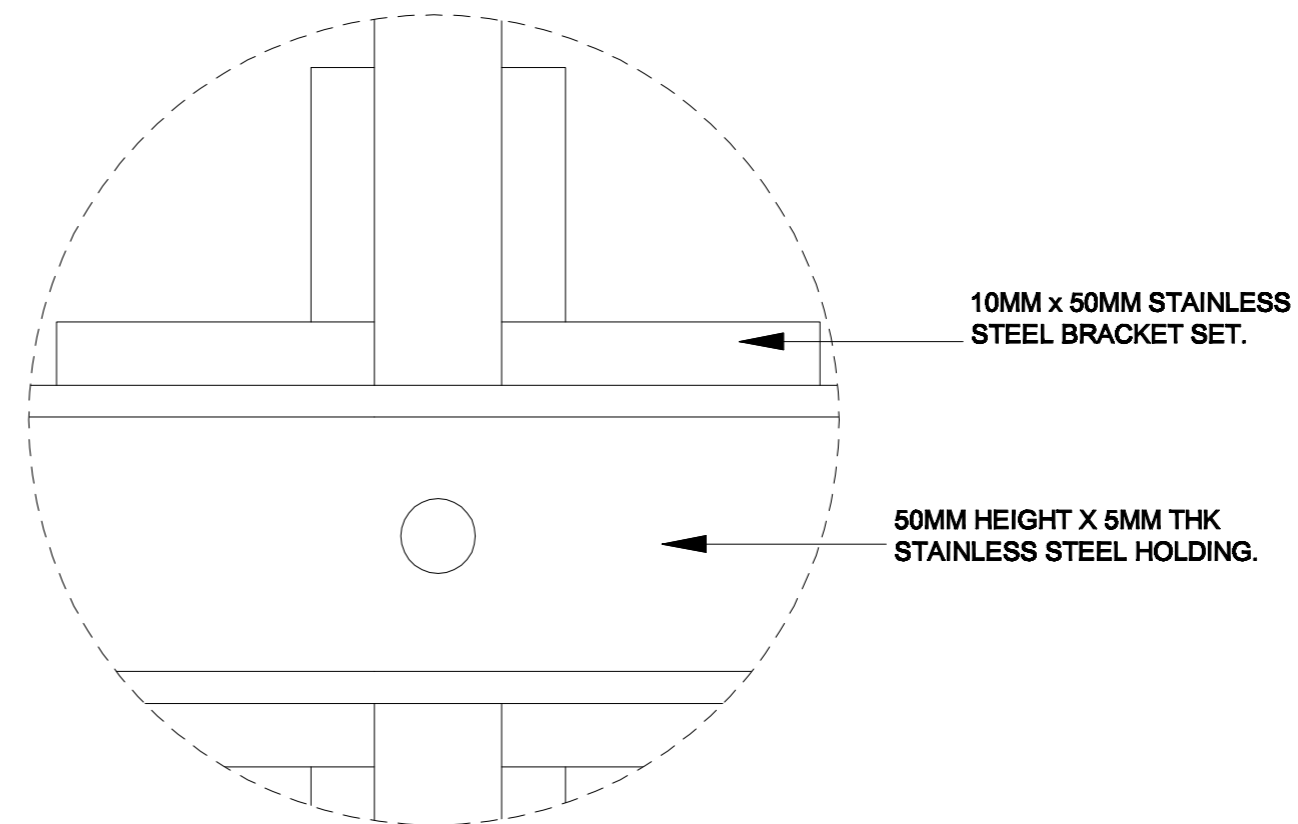


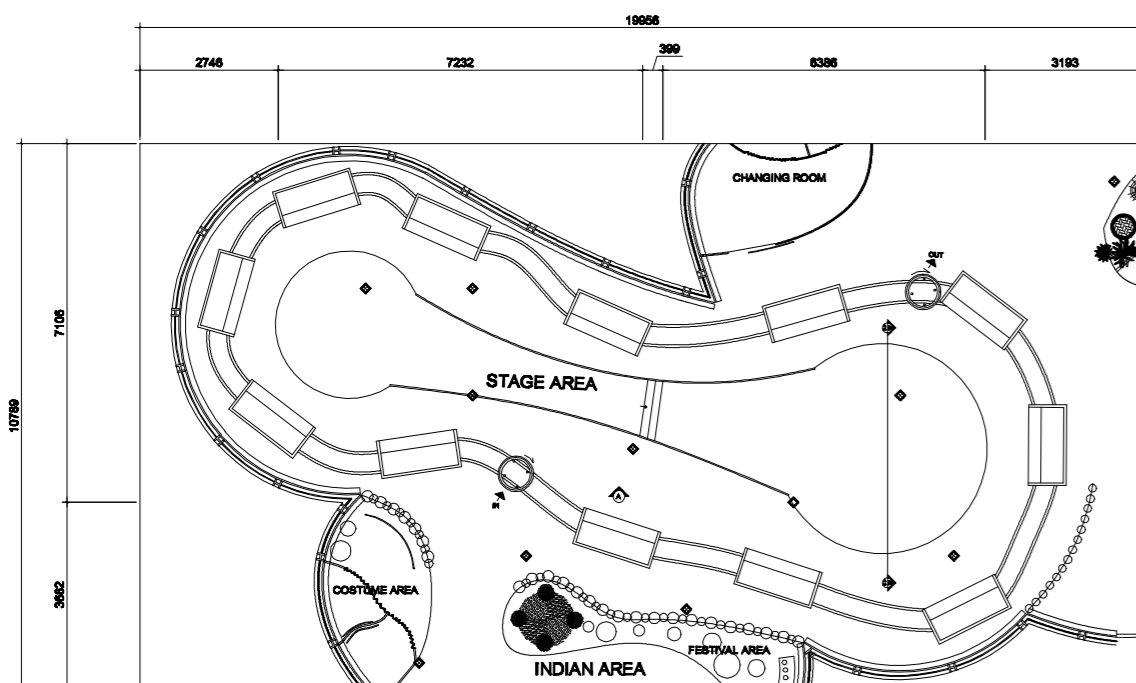
1
03/S14 ELEVATION A
SCALE 1:50



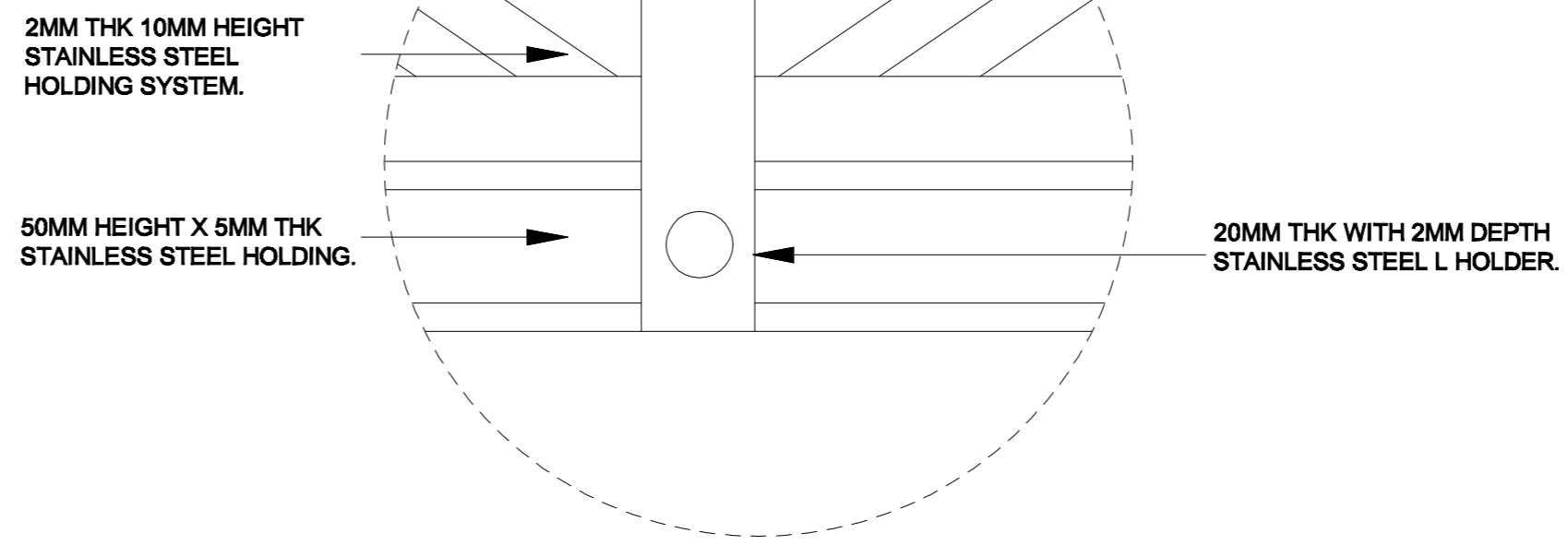
1
02/S14 SECTION B-B
SCALE 1:30



1
04/S14 DETAIL C
SCALE 1:1



1
01/S14 PLAN AT STAGE AREA
SCALE 1:150



1
06/S14 DETAIL D
SCALE 1:1

NOTES:
ALL IDEAS DESIGNS, ARRANGEMENTS AND PLANS INDICATED OR REPRESENTED BY THIS DRAWING ARE OWNED BY JO INTERIOR DESIGN CONSULTANT AND ARE CREATED, EVOLVED AND DEVELOPED FOR USE ON AND IN CONNECTION WITH THE SPECIFIC PROJECT. NONE OF SUCH IDEAS, DESIGNS, ARRANGEMENT OR PLANS SHALL BE USED BY OR DISCLOSED TO ANY PERSON, FIRM, OR CORPORATION FOR ANY PURPOSE WHATSOEVER WITHOUT THE WRITTEN PERMISSION OF SKY INTERIOR DESIGN CONSULTANT.

NO.	DATE	AMENDMENTS

OWNER :

[Signature]
TDC Malaysia (Tourist Development Corporation of Malaysia) Head Office 24-27th Floor, Menara Dato Onn Putra World Trade Centre 45, Jalan Tun Ismail, 50480 Kuala Lumpur Malaysia.

CO.

[Logo]
JO INTERIOR DESIGN CONSULTANT SDN. BHD

PROJECT :

PROPOSED INTERIOR DESIGN PAVILLION WORKS FOR MALAYSIA TOURSIM BOARD AT YEOSU SOUTH KOREA 2012.

DRAWING TITLE :
DETAILING PLAN 2

SCALE : NTS

DRAWN BY: JOANNE CHAN KAR YIAN

CHECKED BY: MR. YUSOF

DATE : 11/04/2011

JOB NO. : COM-PNS-1.10

DRAWING NO. : S-14

REF

S - 014