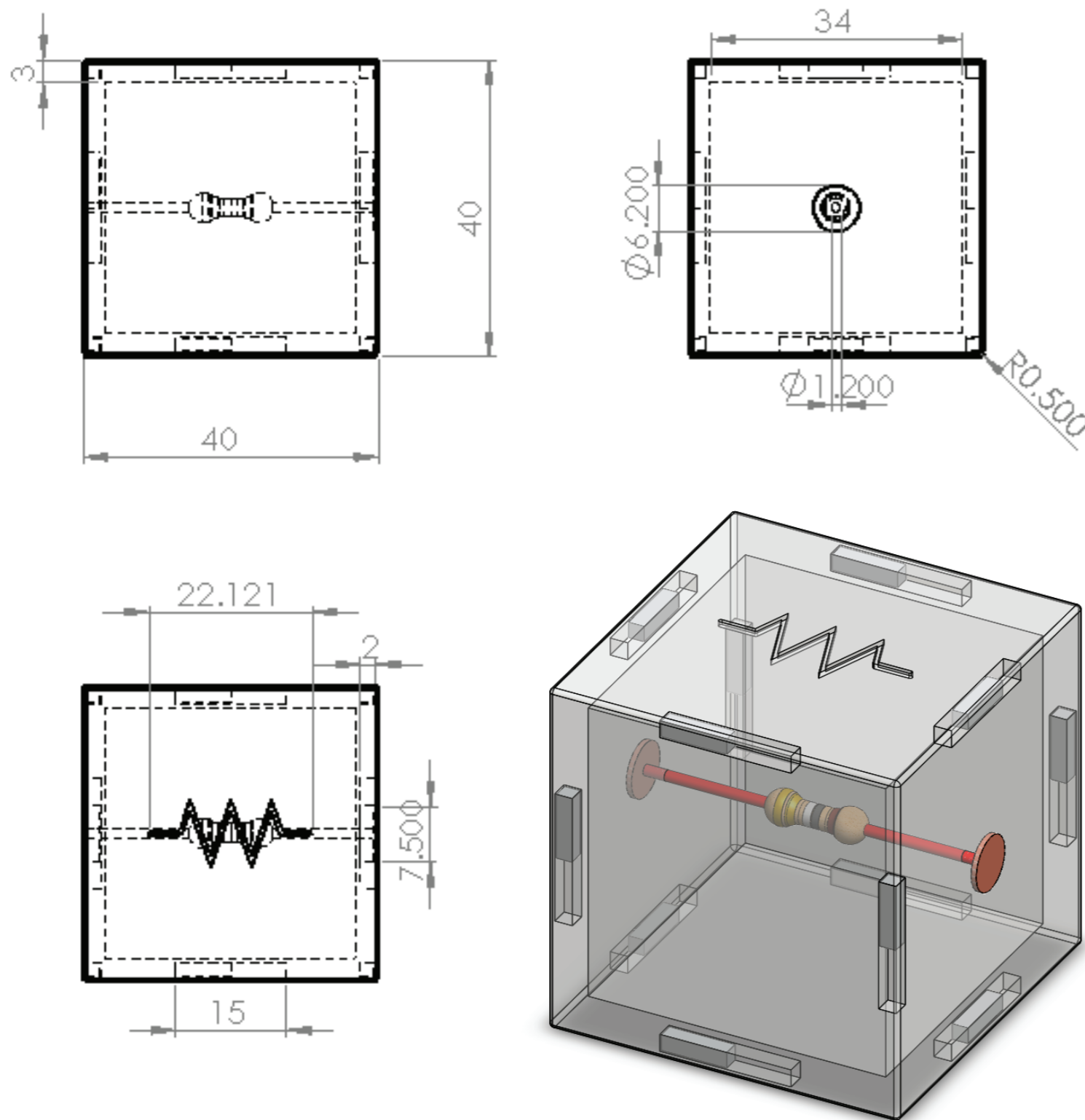
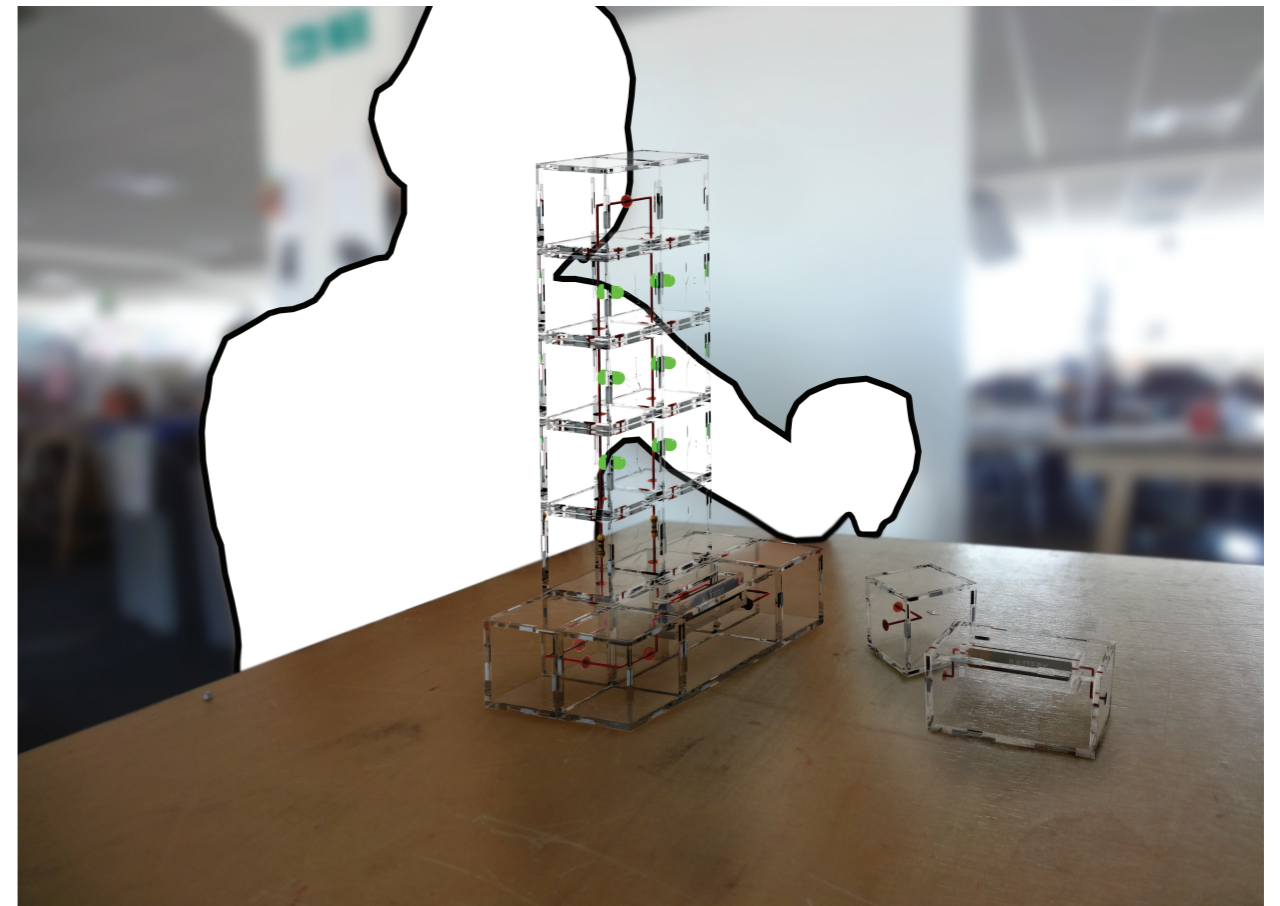


Final Cube Design



After discussing the thickness of the cubes, changing the size of the design, and finding bar magnets which were far narrower, the cube design to the left was chosen as the final one.



Whilst the design of the individual cubes is finalised, a number of things still need to be finished:

- The exact components to be found in the light pack must be ascertained.
- The design of the packaging must be finalised.
- A working prototype must be manufactured.

