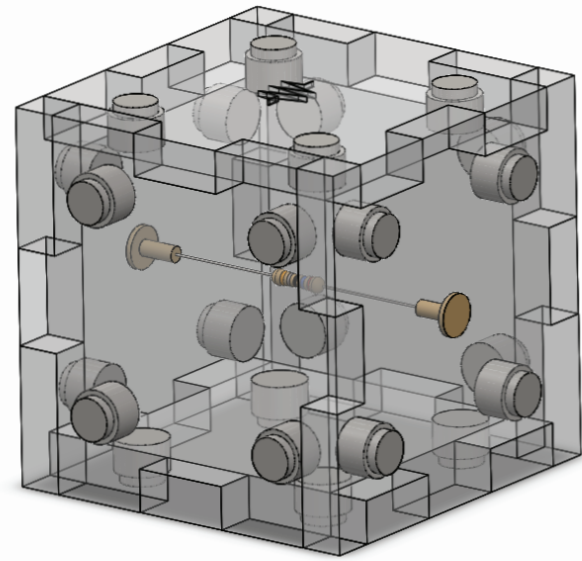
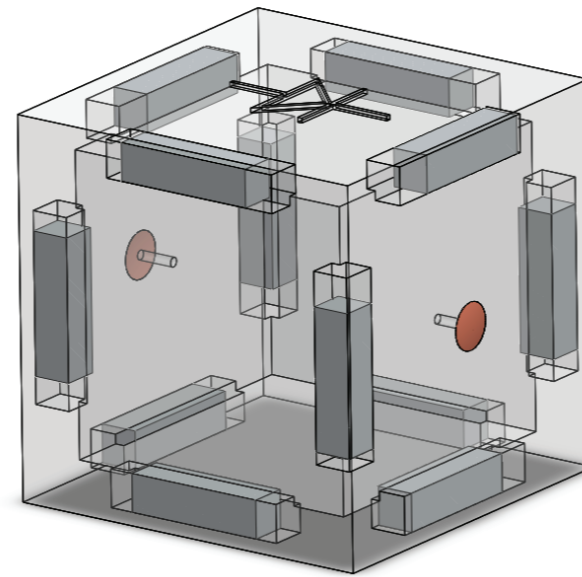
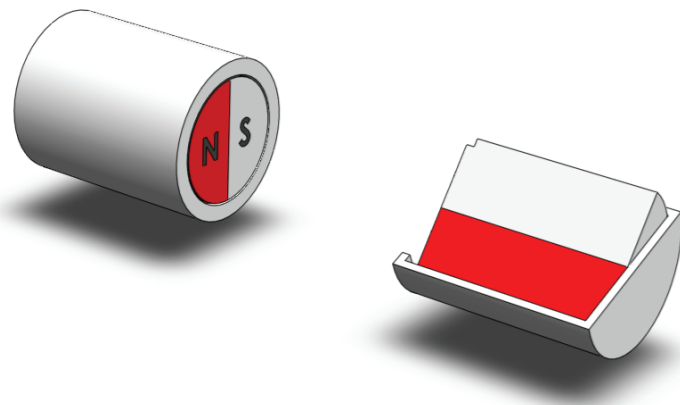


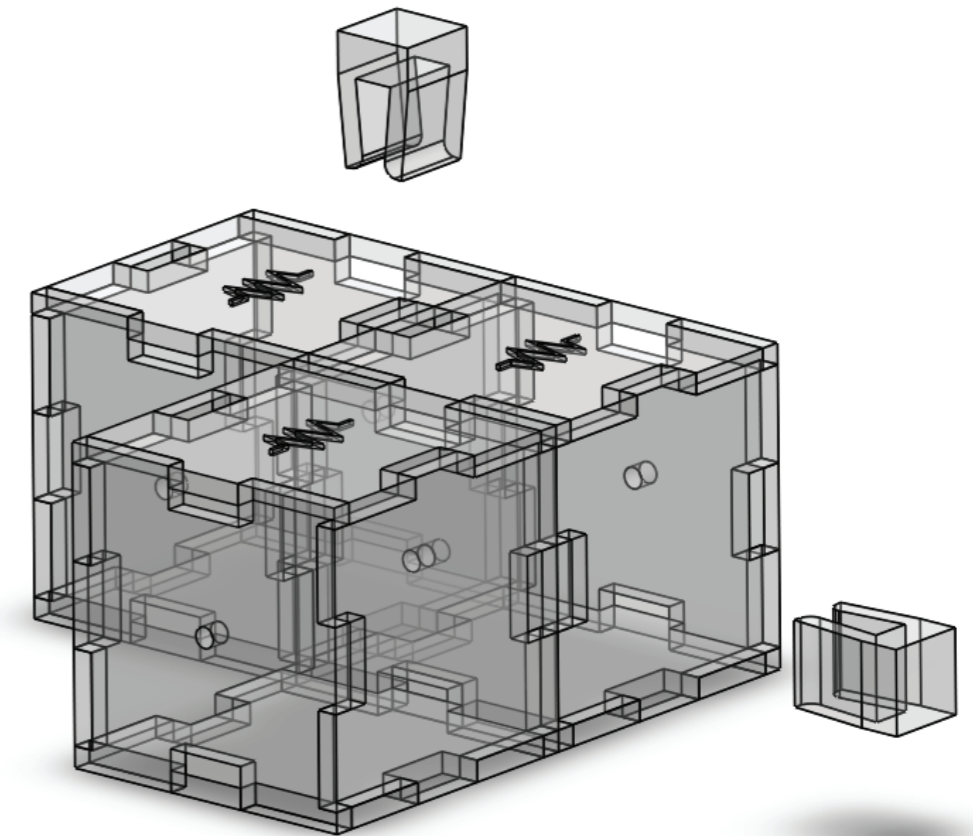
# Cube Structure Assembly



- Uses round magnets which can rotate to allow for any orientation.
- Simple system.
- Complicates minimalist aesthetic.
- Takes focus away from component.



- Uses bar magnets that can slide laterally to align to any other approaching magnet.
- Has the potential to be made smaller.
- Difficult to manufacture.
- Still looks too bulky at present.



- Uses separate transparent 'clips' to join each cube to the next one.
- Clips are transparent, so wouldn't remove focus from components.
- Clips could and would get lost quickly.
- Impossible to clip some arrangements.
- Lacks the 'magic' of magnetic attraction.

Despite all the possible designs appearing quite bulky, we decided upon the **bar magnet option**, because by sourcing narrower magnets and changing the wall thickness the design could be most improved.

