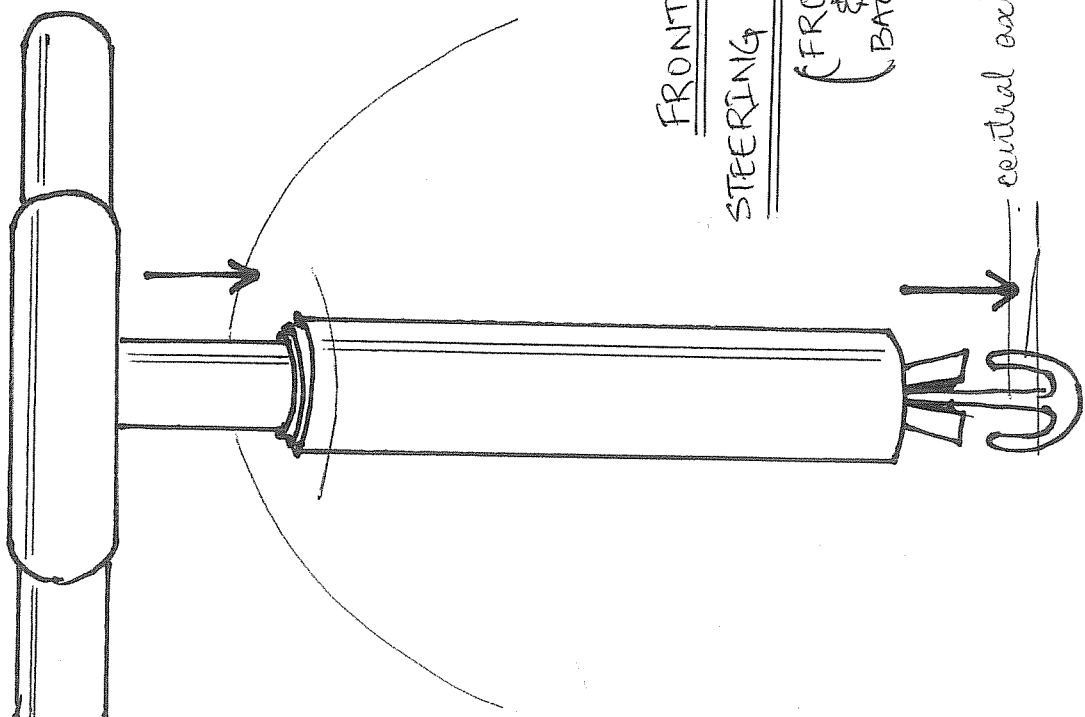


FRONT WHEEL  
STEERING MECHANISM  
(FRONT)  
(BACK)



central axis