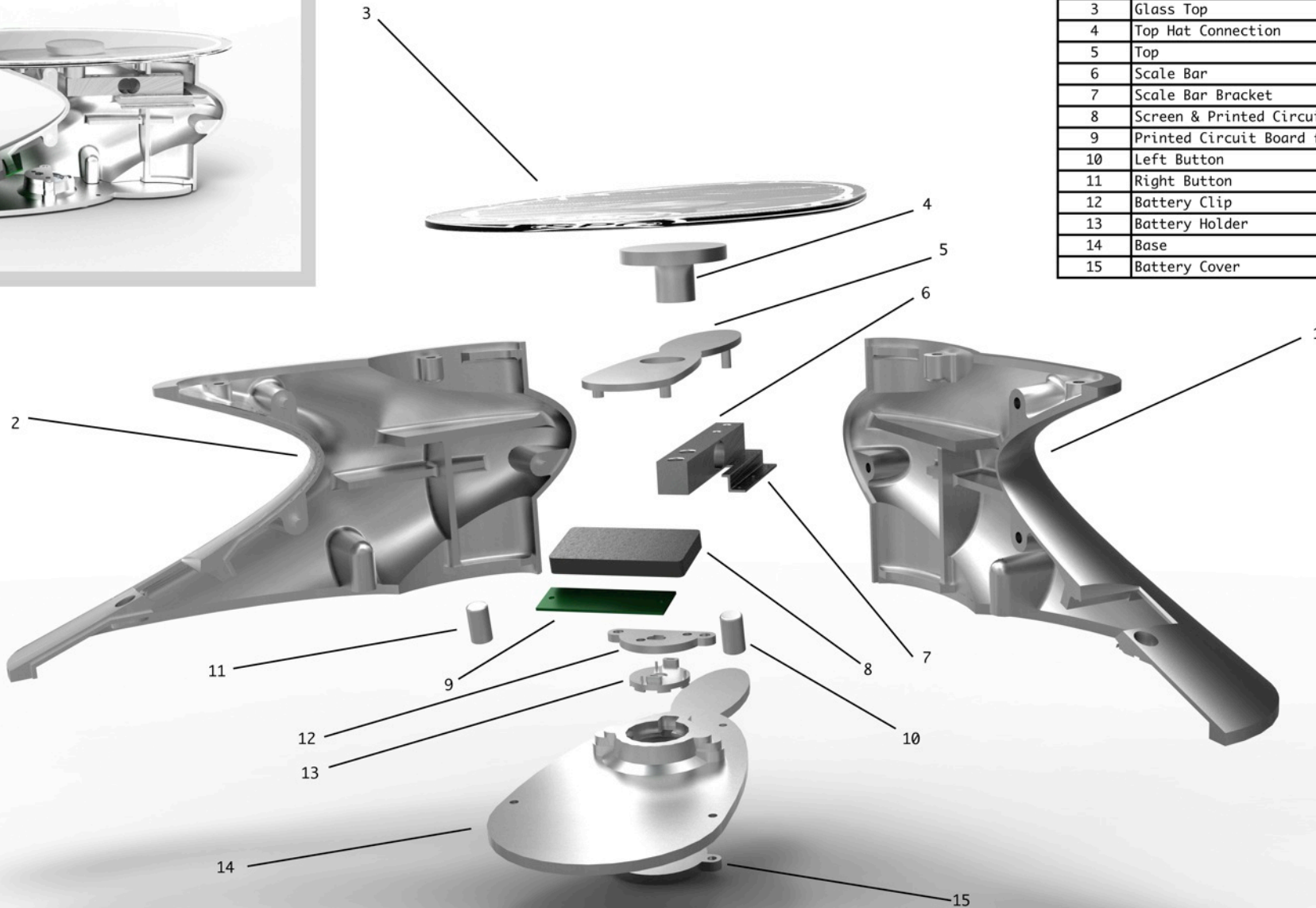
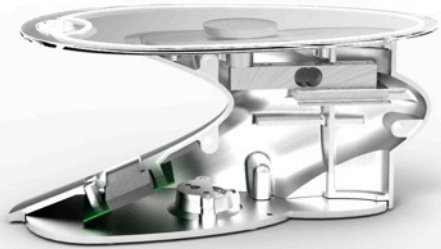


Digital Scales



Number	Part	Material
1	Left Side	Aluminium
2	Right Side	Aluminium
3	Glass Top	3mm Glass
4	Top Hat Connection	Aluminium
5	Top	Aluminium
6	Scale Bar	Aluminium
7	Scale Bar Bracket	Aluminium
8	Screen & Printed Circuit Board	Plastic, Copper
9	Printed Circuit Board for Buttons	Plastic, Copper
10	Left Button	Aluminium
11	Right Button	Aluminium
12	Battery Clip	Aluminium
13	Battery Holder	Aluminium
14	Base	Aluminium
15	Battery Cover	Aluminium

