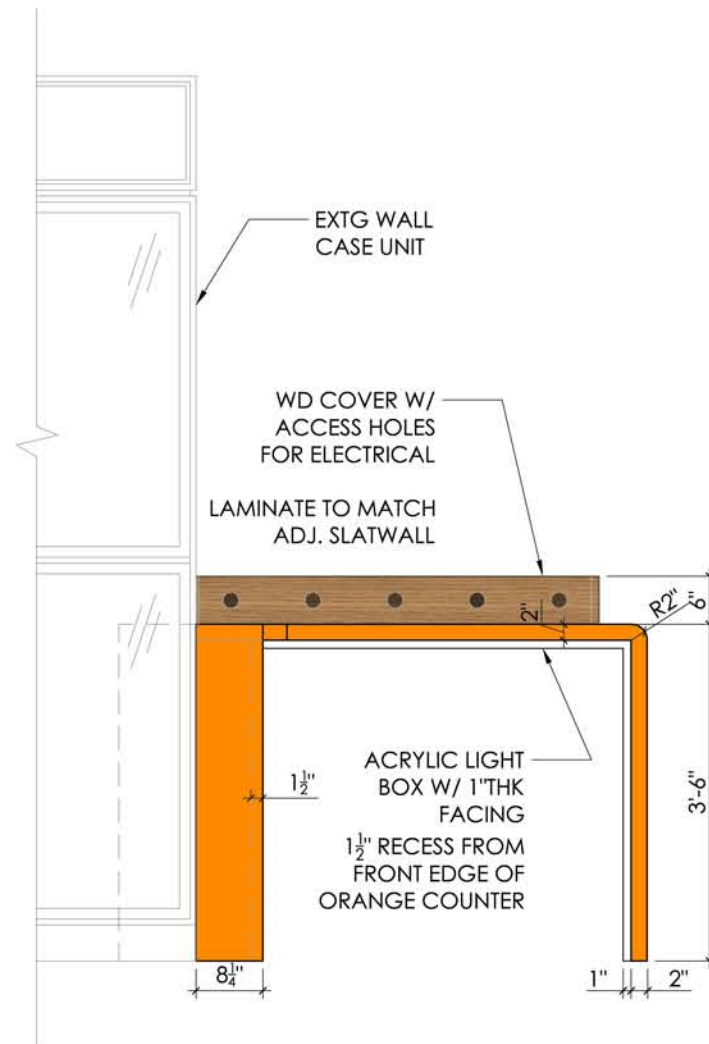


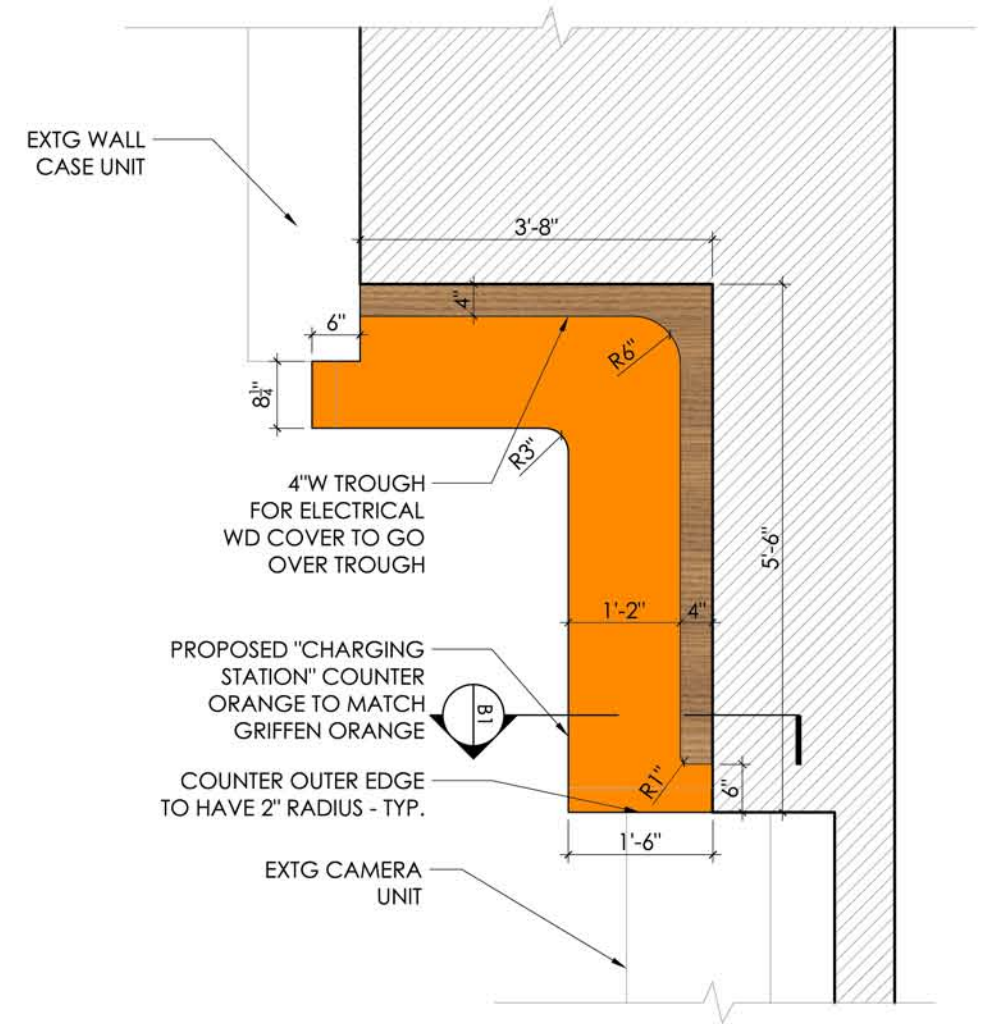


C1 - 3D PERSPECTIVE VIEW



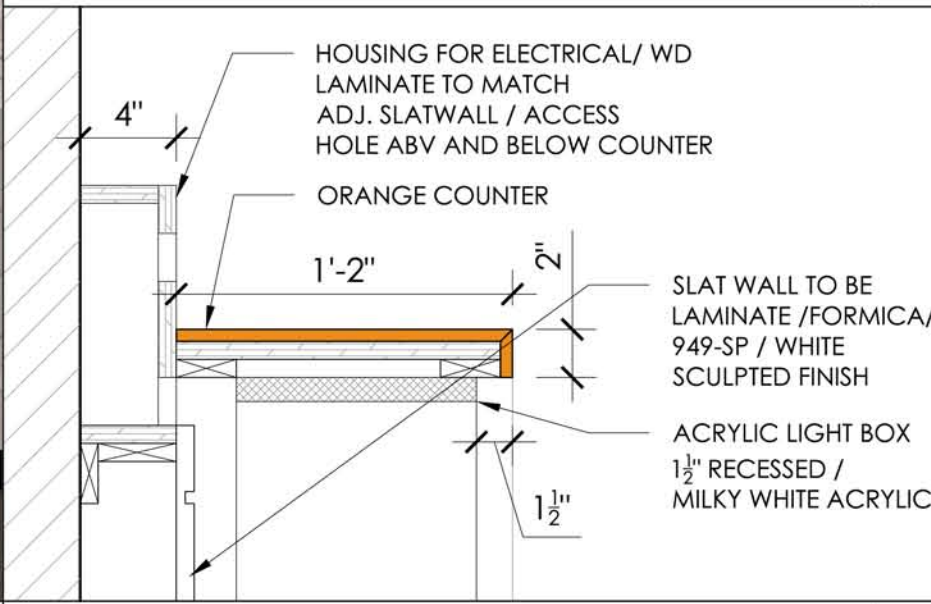
B2 - PARTIAL ELEVATION LOOKING WEST

SCALE : $\frac{1}{2}'' = 1'-0''$



A2 - PARTIAL PLAN SHOWING PROPOSED CHARGING STATION

SCALE : $\frac{1}{2}'' = 1'-0''$



B1 - DIAGRAMMATIC PARTIAL SECTION

SCALE : $\frac{1}{2}'' = 1'-0''$

NOTE :

1. FABRICATOR TO PROVIDE SHOP DRAWINGS FOR OWNER APPROVAL PRIOR TO FABRICATION
2. ALL DIMENSIONS TO BE VERIFIED IN FIELD
3. DRAWINGS FOR REFERENCE ONLY, NOT FOR CONSTRUCTION
4. SIGNAGE TBD BY OWNER

A1 - GENERAL NOTES