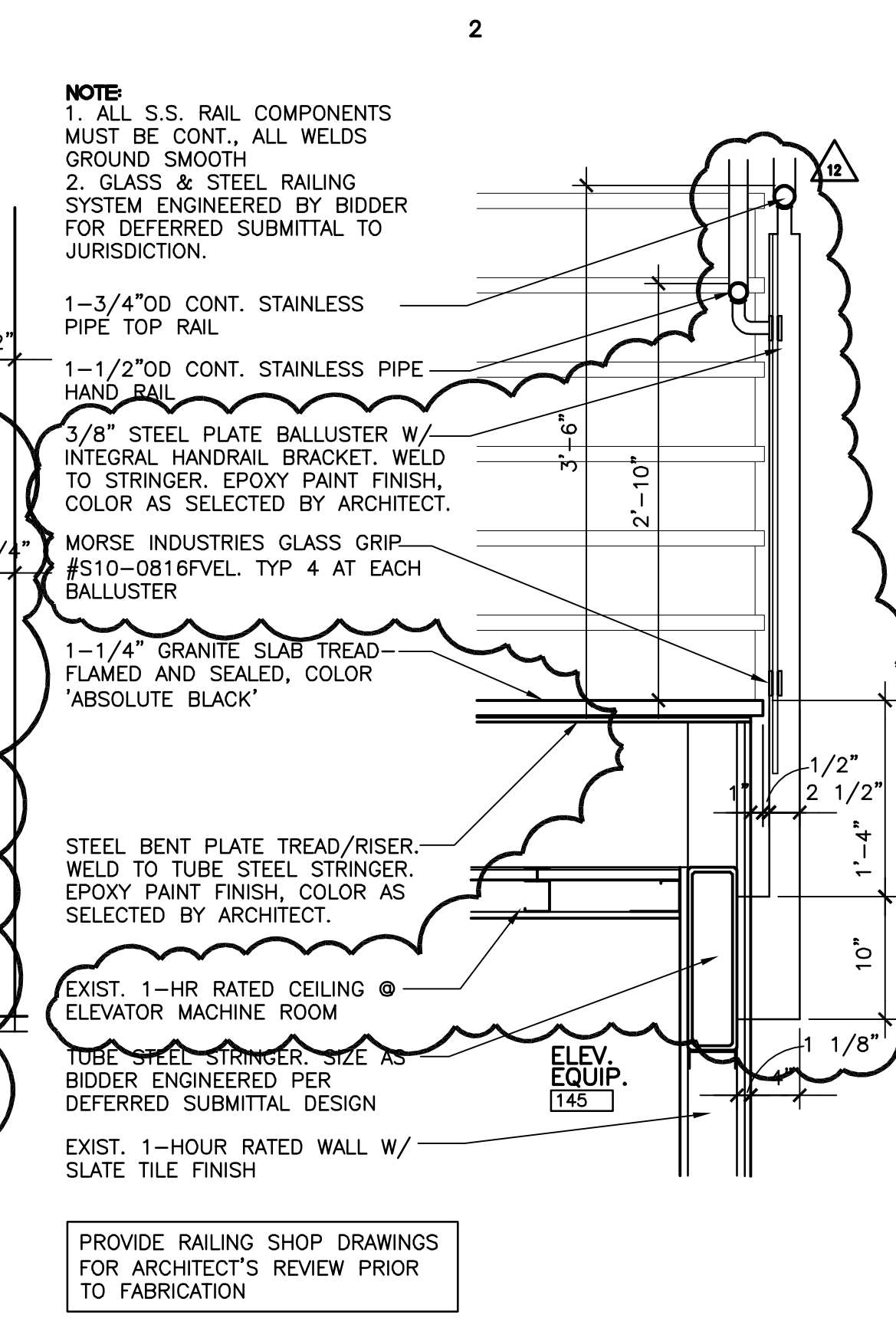
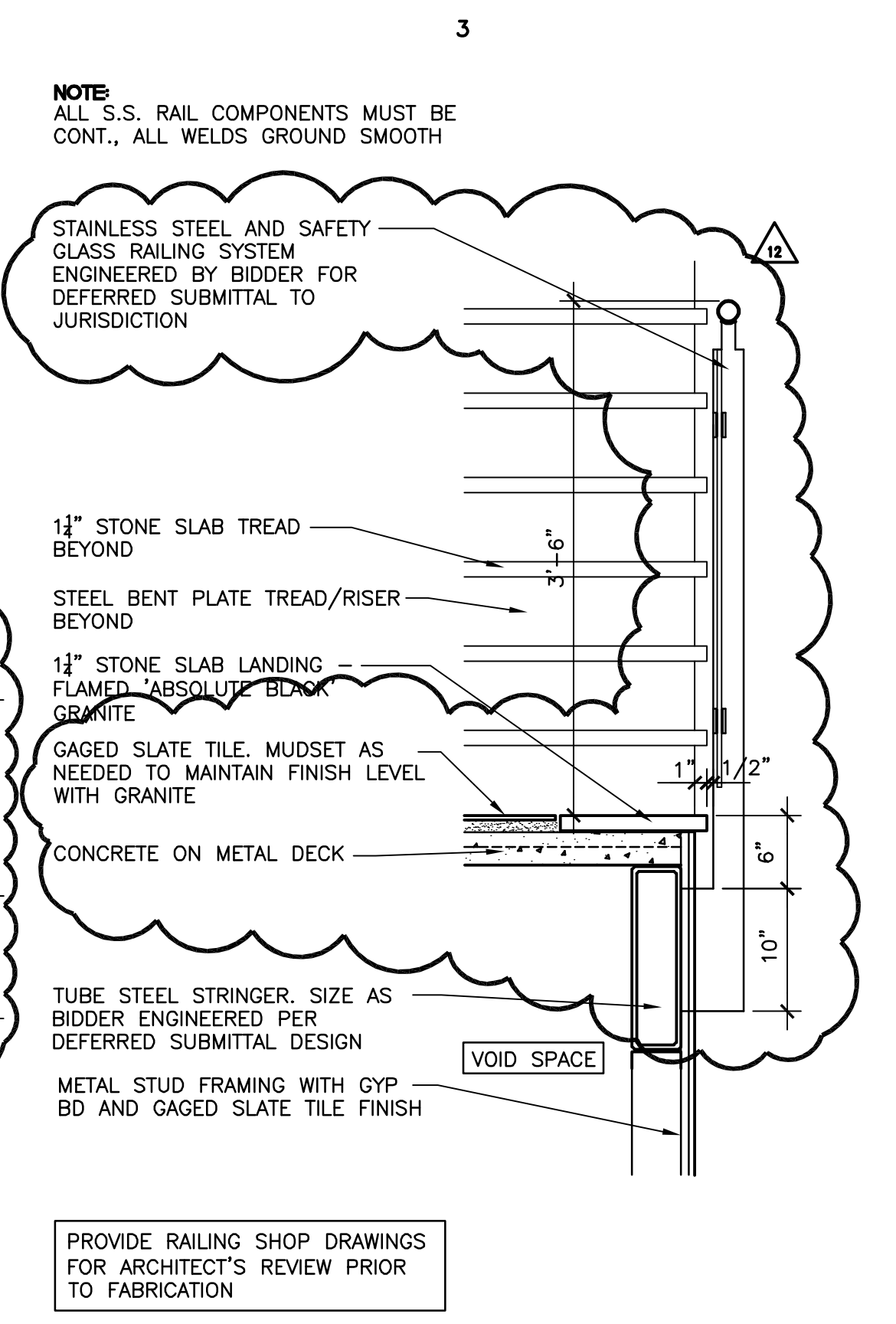


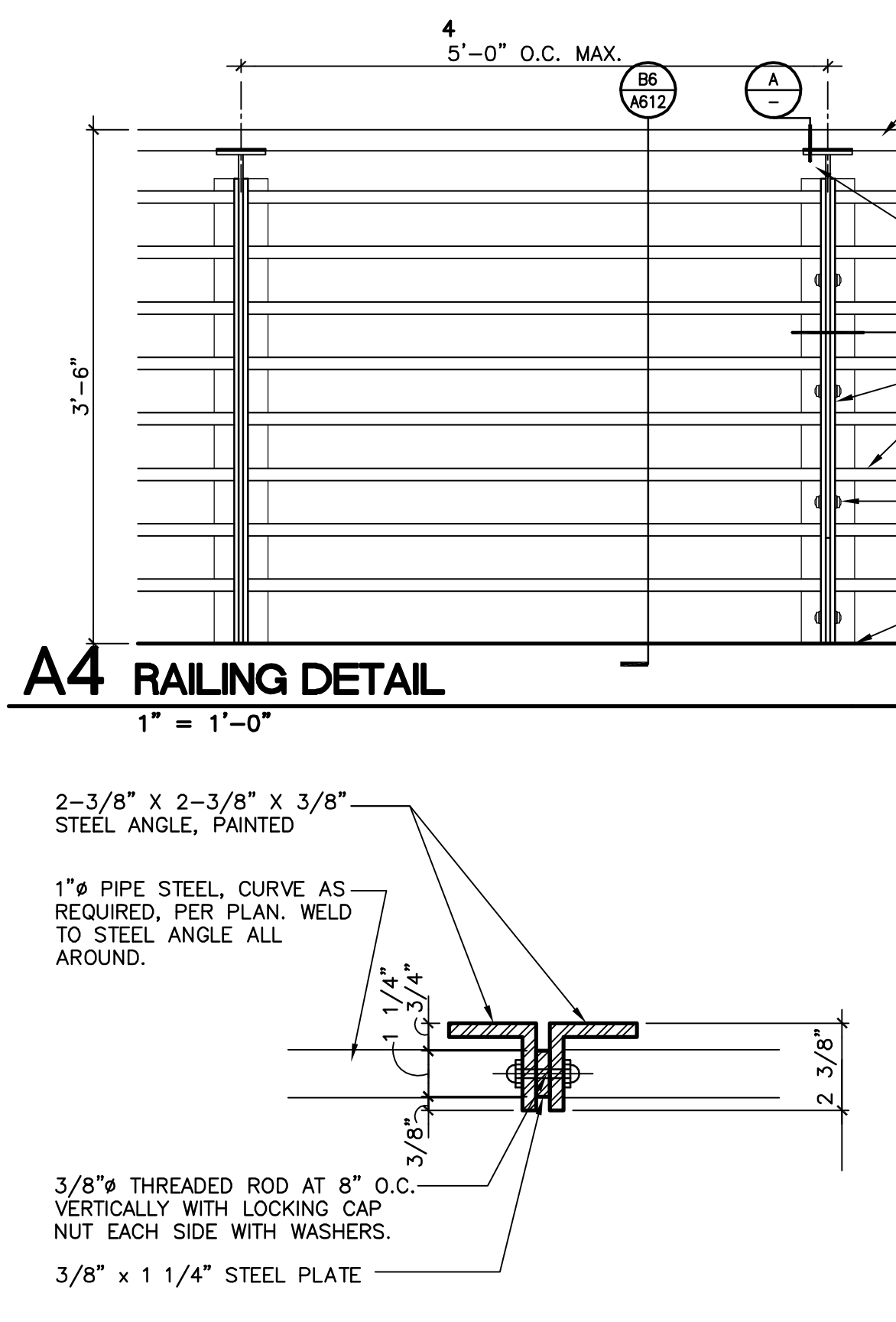
**B1 ENTRY LOBBY RAILING ELEVATION**  
1" = 1'-0"  
03242-B1-A612r1



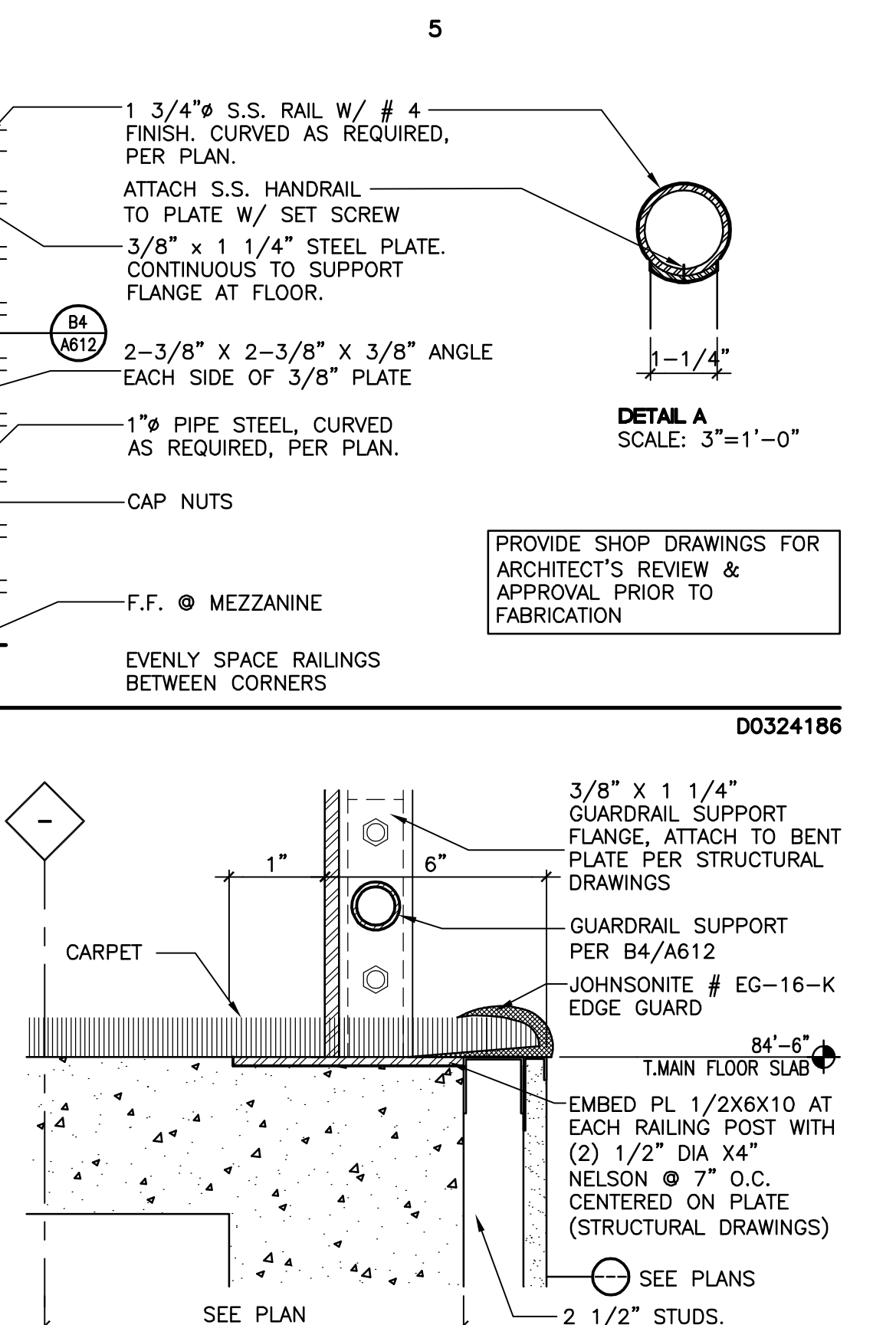
**B2 ENTRY LOBBY STAIR 01 SECTION**  
1" = 1'-0"  
03242-B2-A612r1



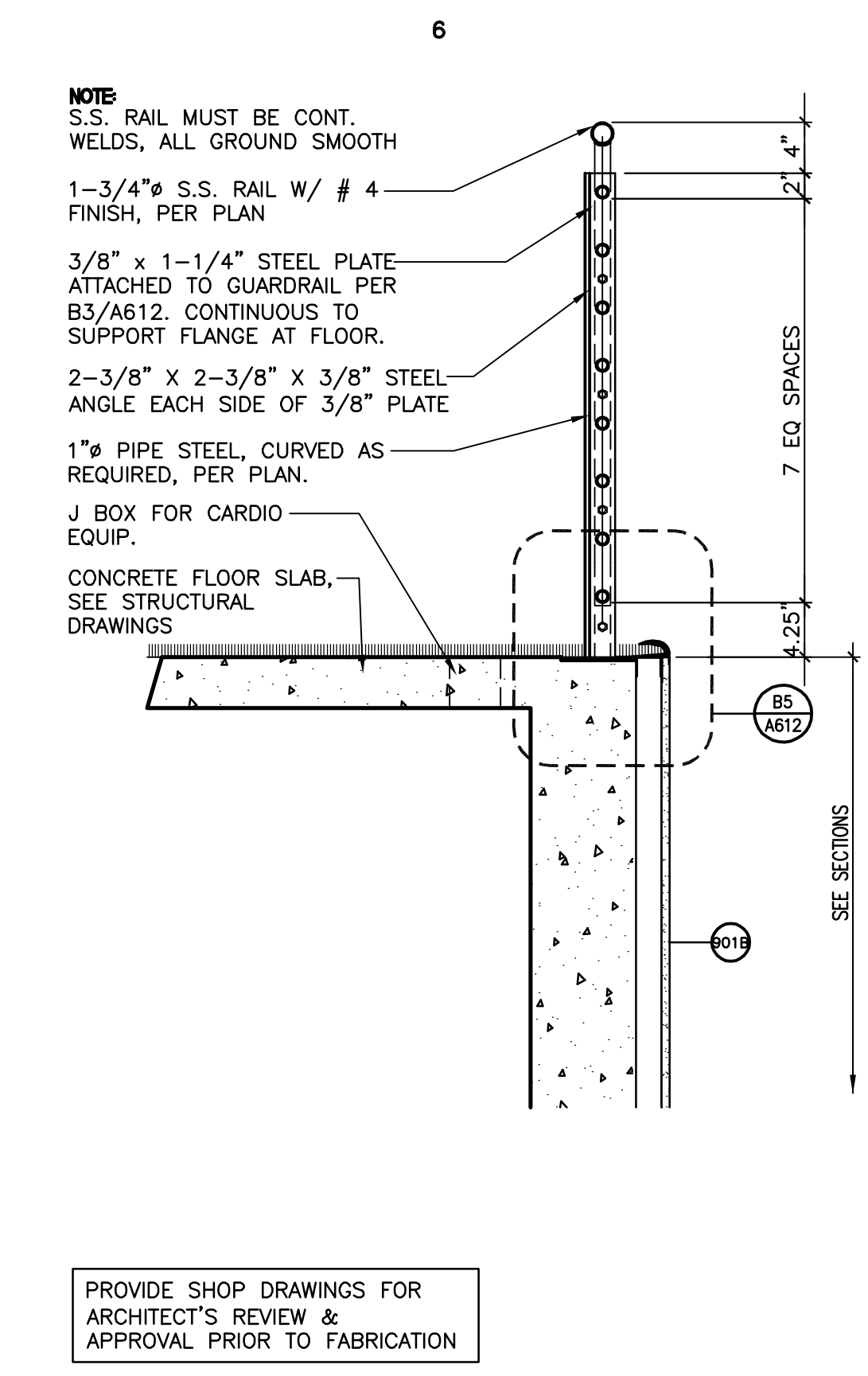
**B3 ENTRY LOBBY STAIR 01 SECTION**  
1" = 1'-0"  
03242-B3-A612r1



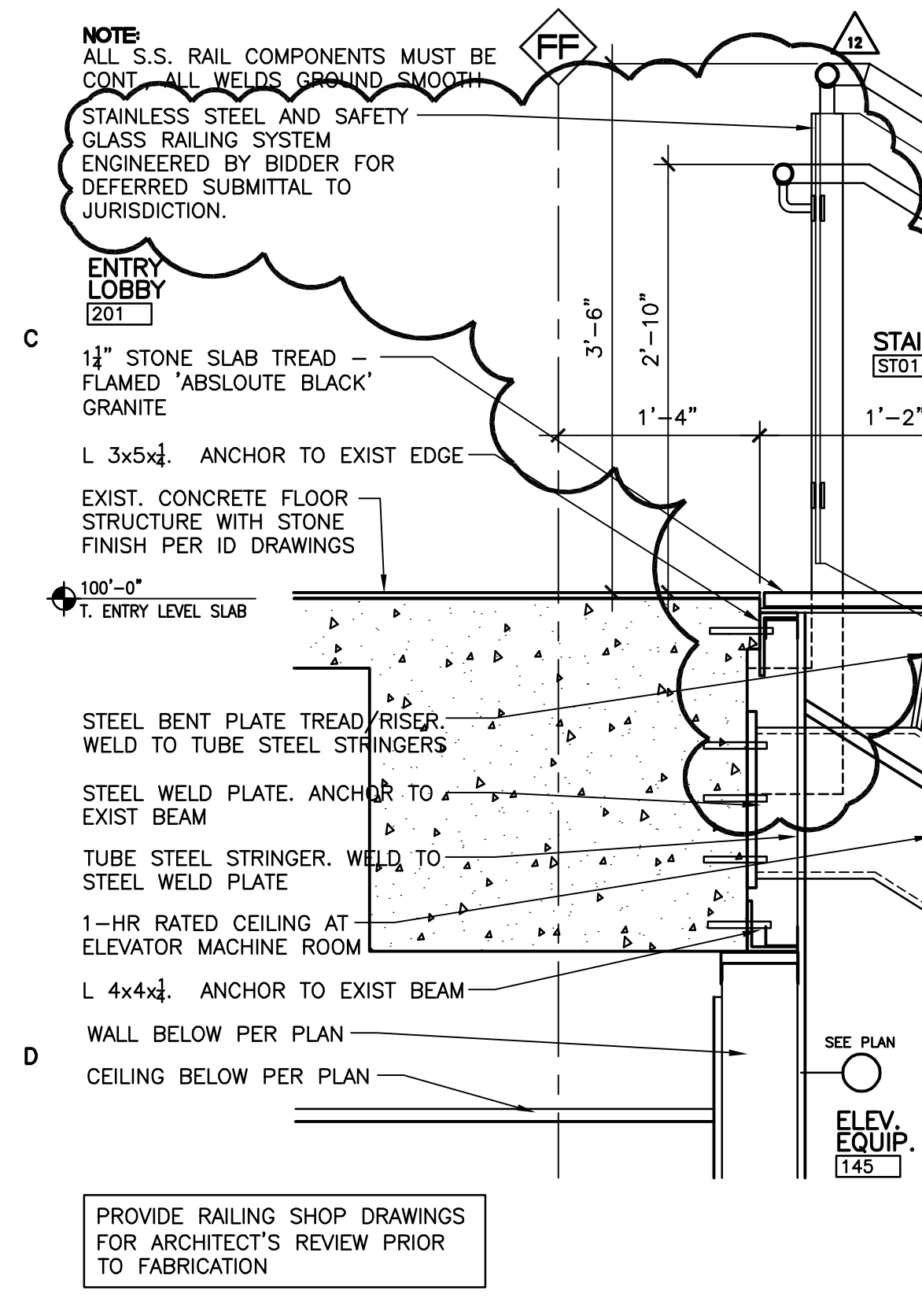
**B4 GUARDRAIL/HANDRAIL DETAIL**  
3" = 1'-0"  
00324185



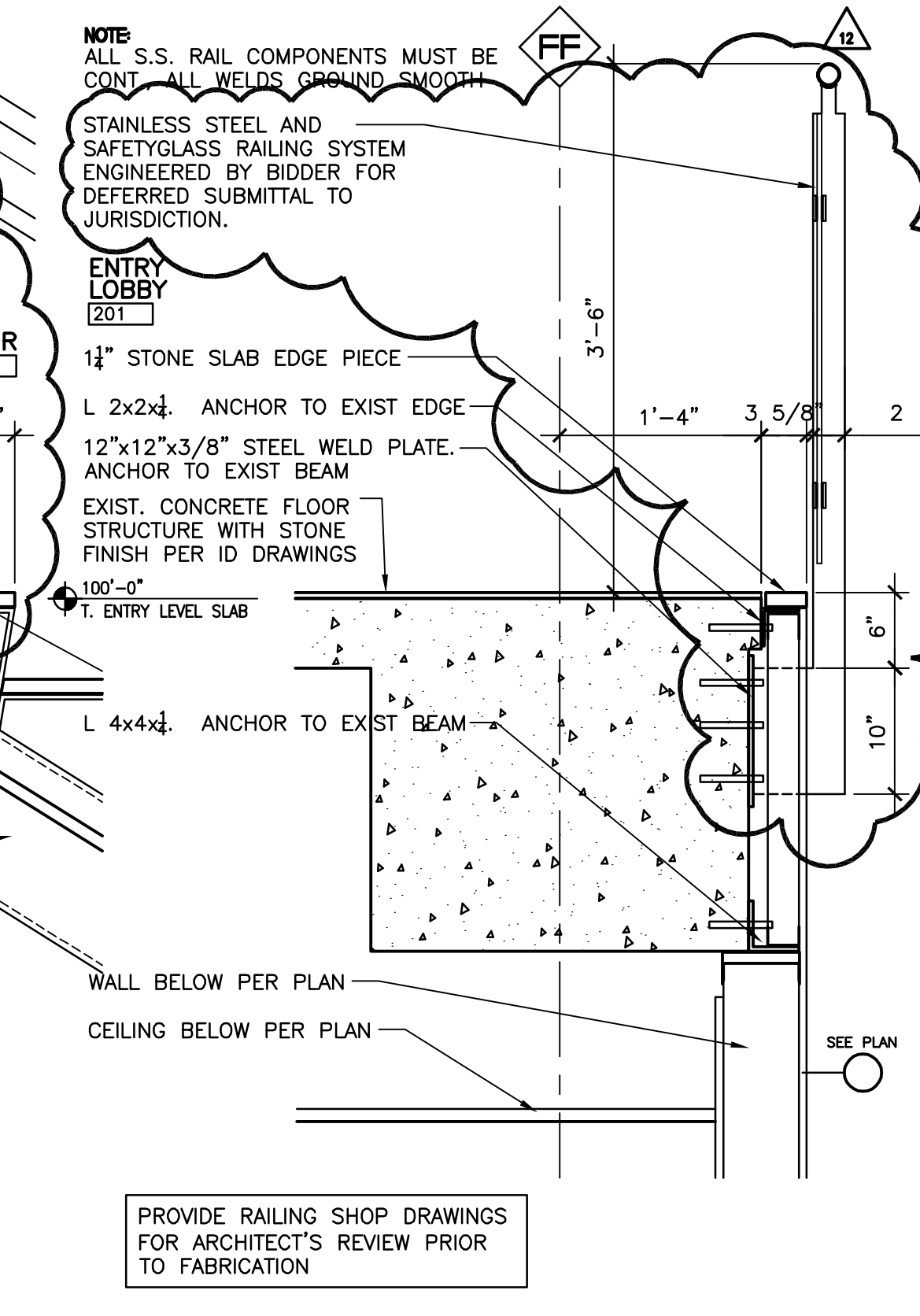
**B5 CARPET EDGE • MEZZANINE**  
3" = 1'-0"  
D0324187



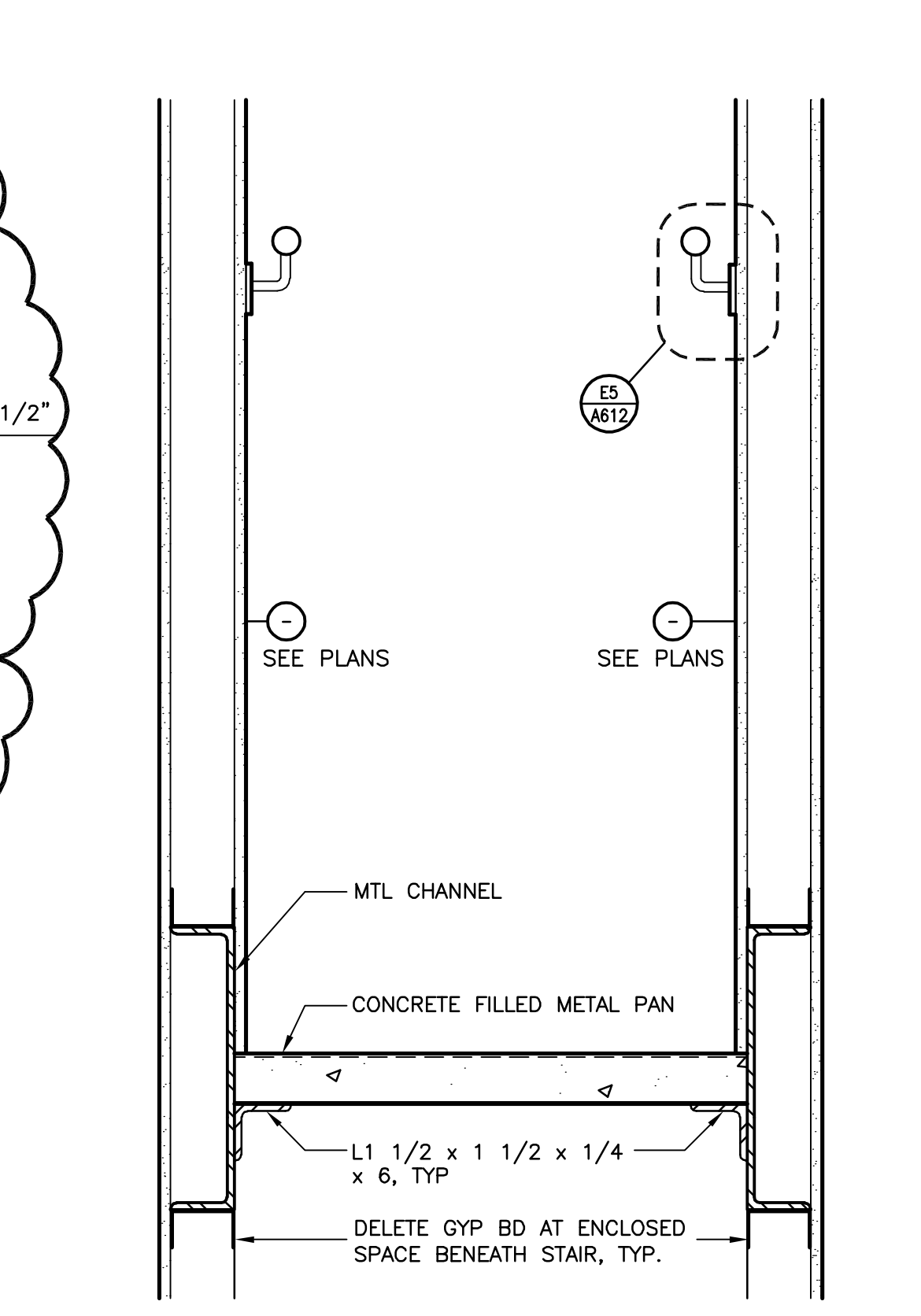
**B6 MEZZANINE GUARDRAIL DETAIL**  
1" = 1'-0"  
D0324189



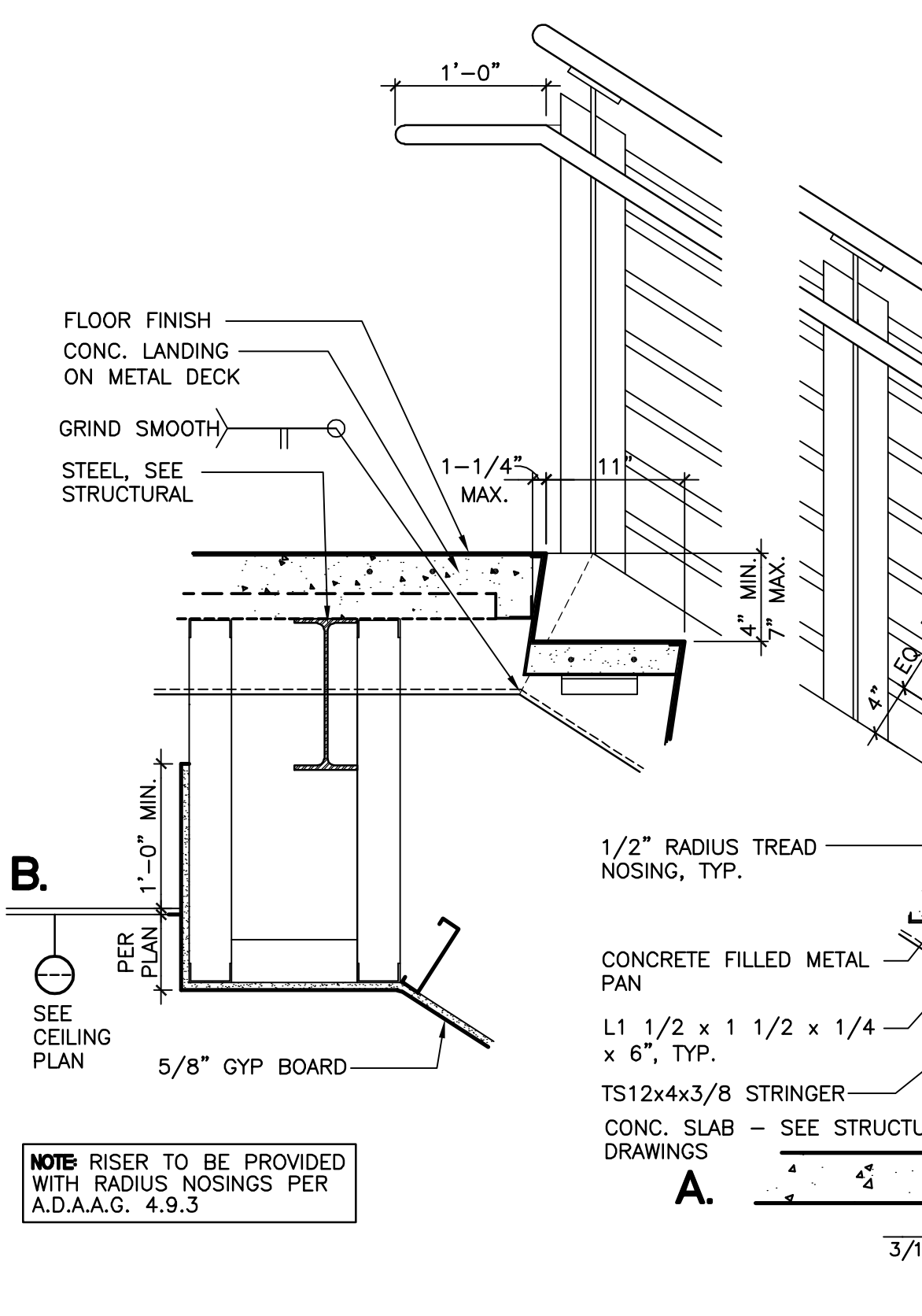
**D1 ENTRY LOBBY STAIR DETAIL**  
1" = 1'-0"  
03242-D1-A612



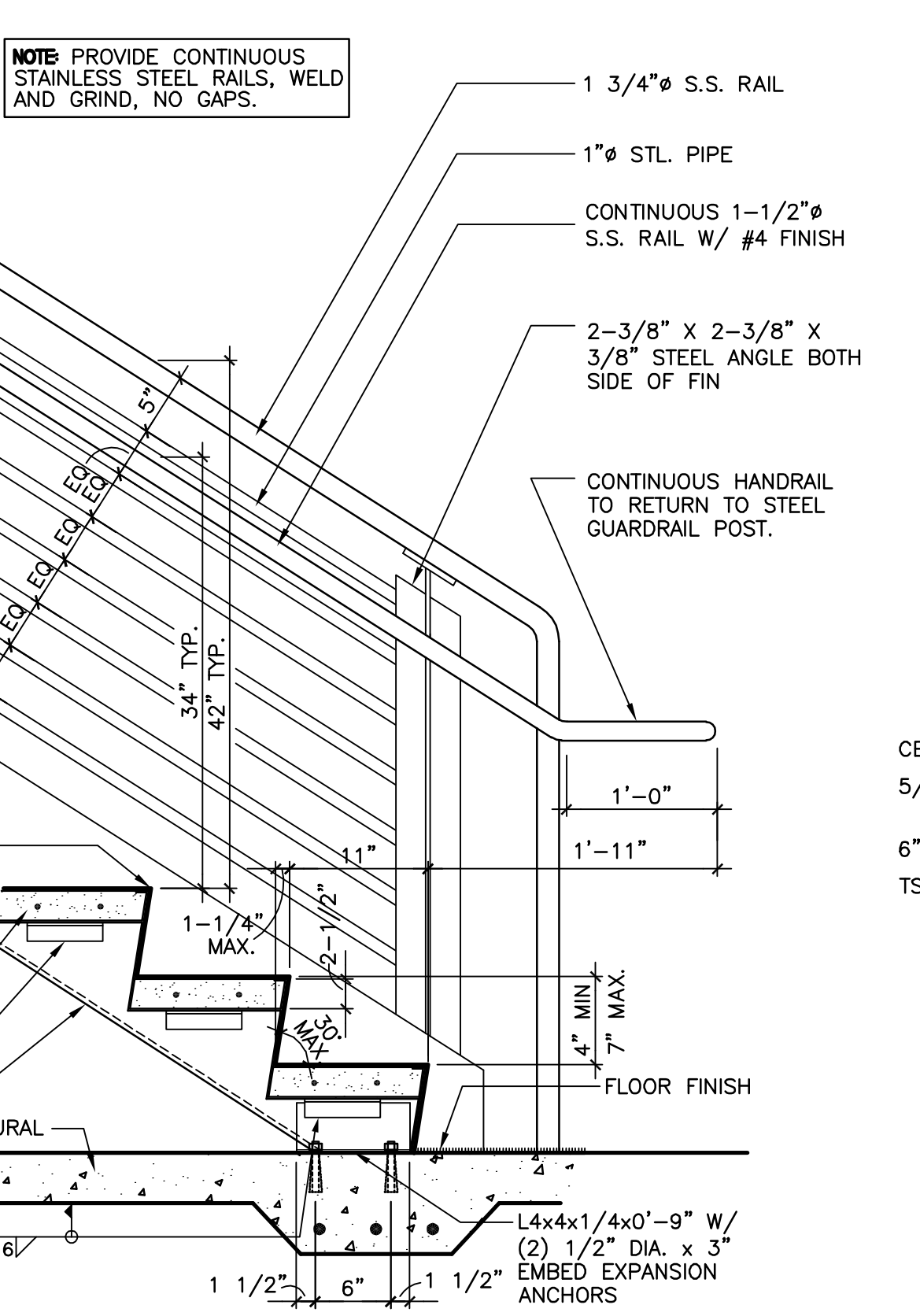
**D2 ENTRY LOBBY GUARDRAIL DETAIL**  
1" = 1'-0"  
03242-D2-A612



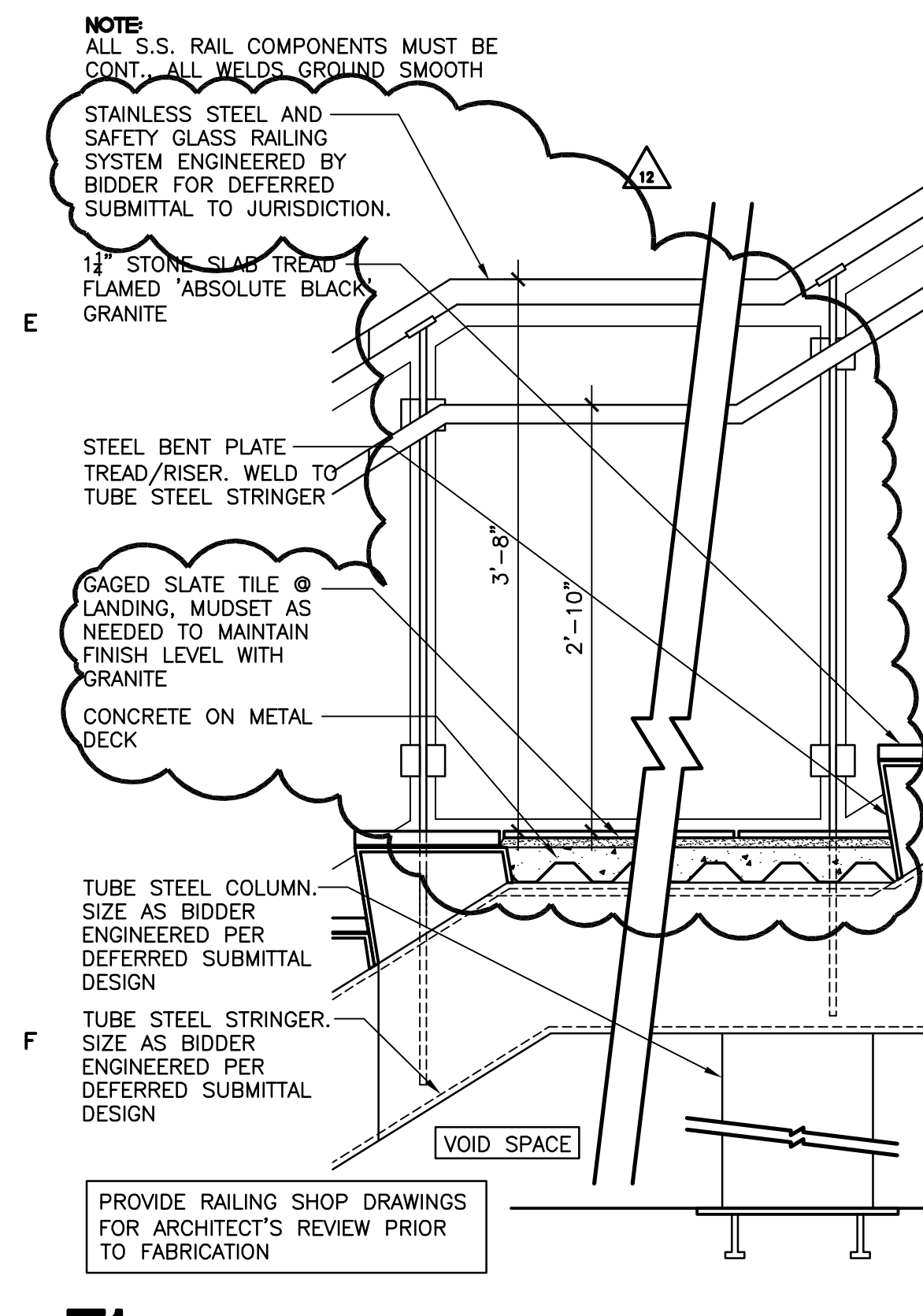
**D3 STAIR TREAD ALIGNMENT**  
1-1/2" = 1'-0"  
D0551001



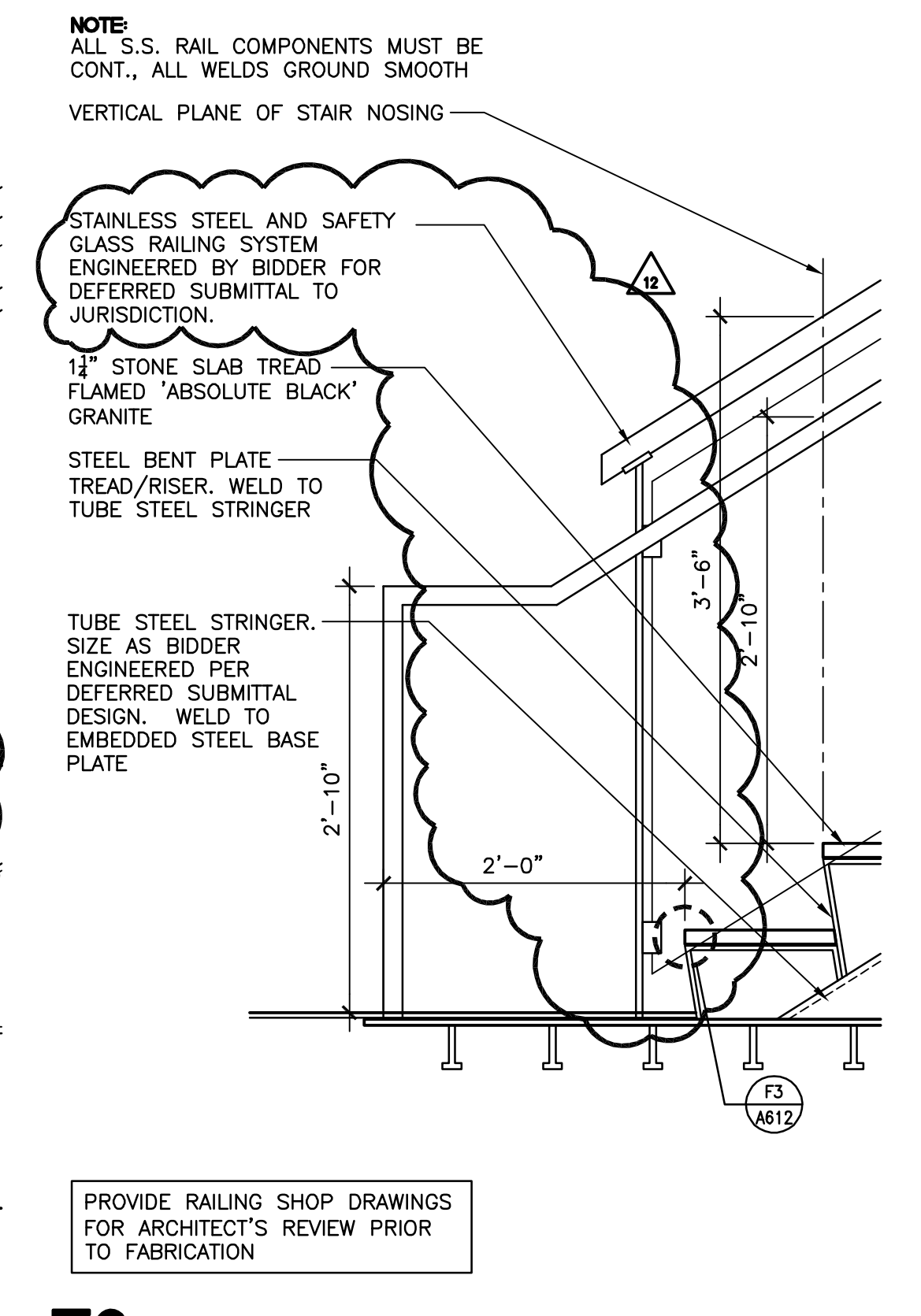
**D4 HEAD AND TOE CONDITIONS AT STAIRS**  
1" = 1'-0"  
D0324189



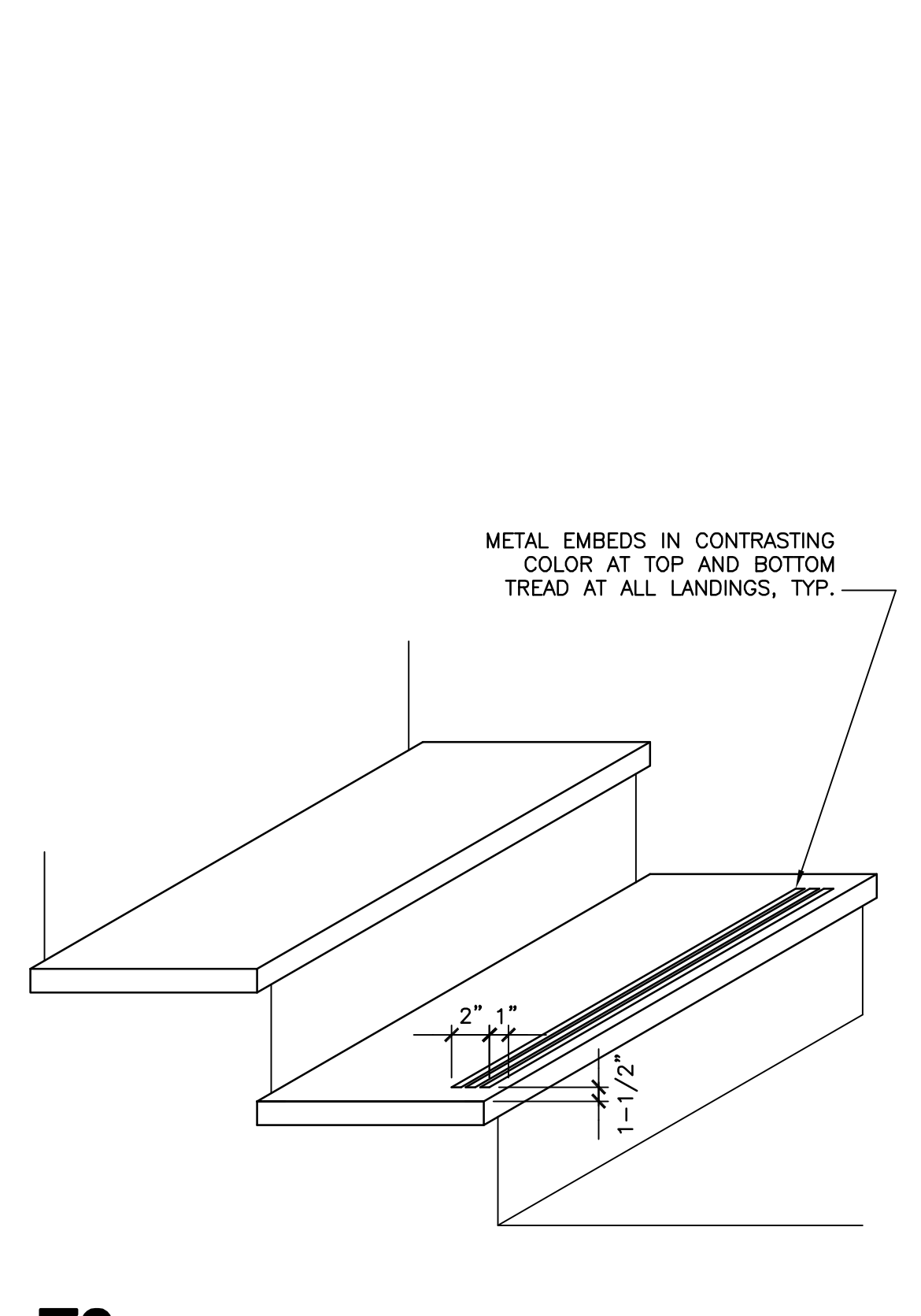
**D6 LANDING/STAIR GUARDRAIL DETAIL**  
1" = 1'-0"  
D0324188



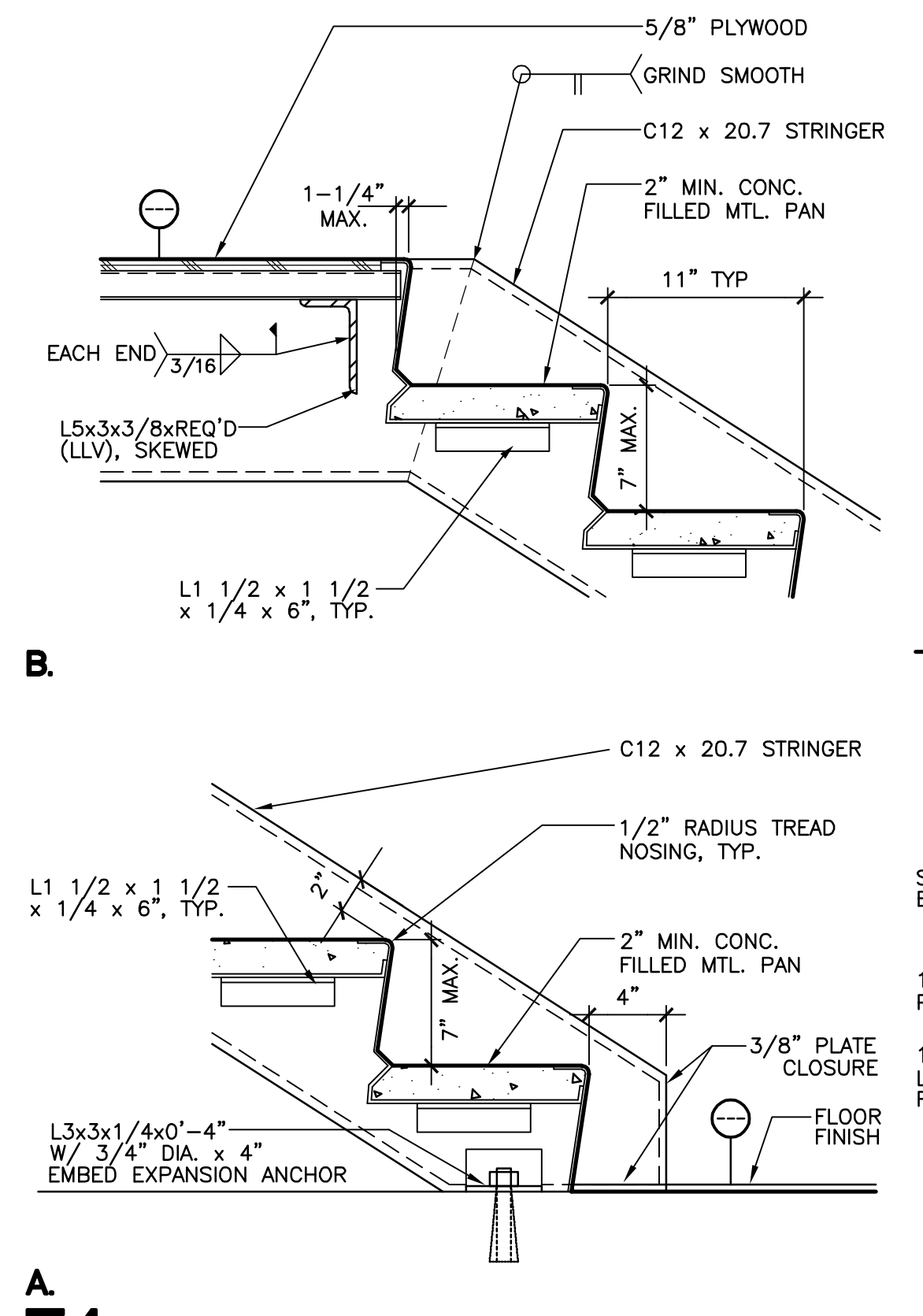
**F1 ENTRY LOBBY STAIR 01 SECTION**  
1" = 1'-0"  
03242-F1-A612



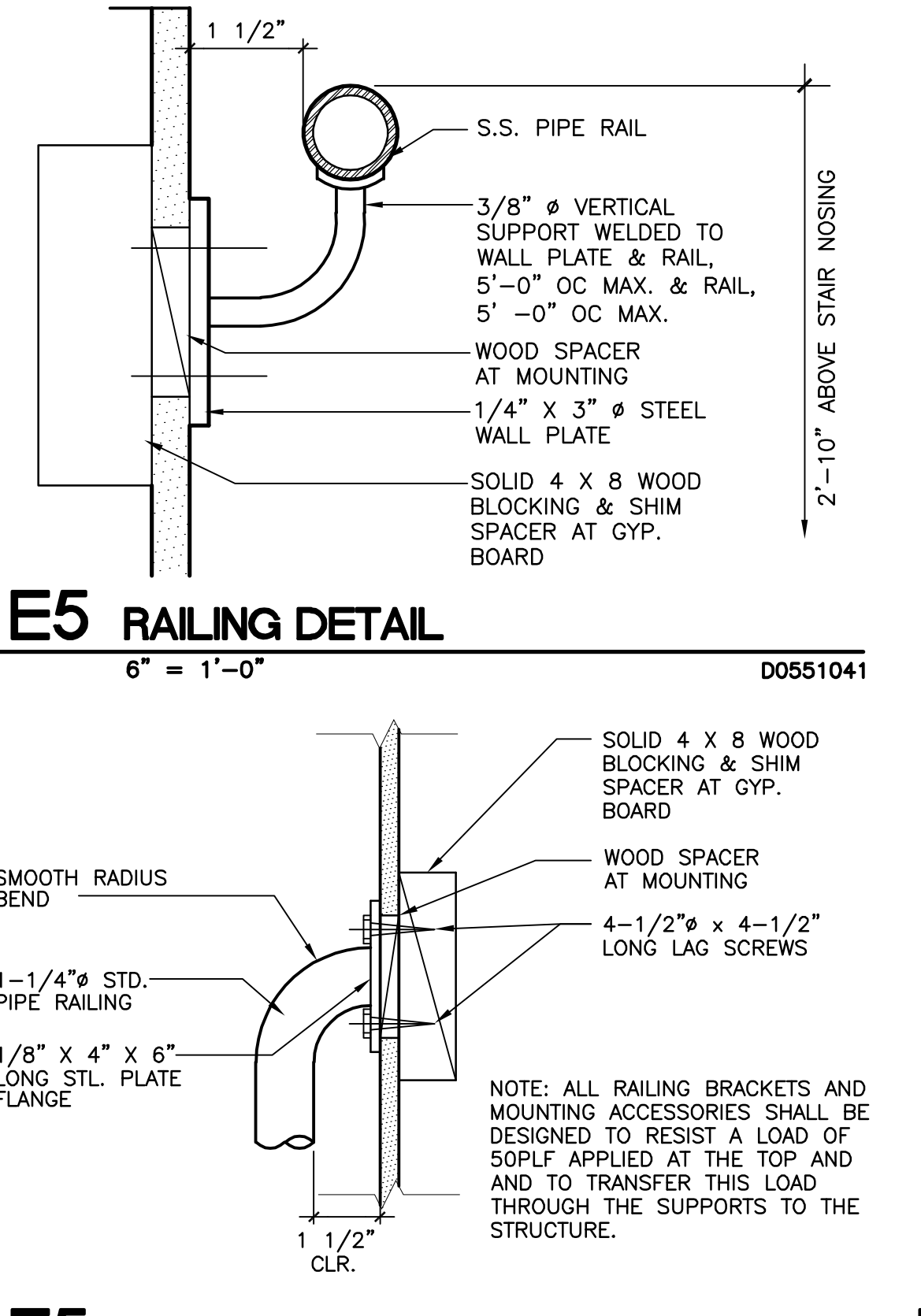
**F2 ENTRY LOBBY STAIR 01 SECTION**  
1" = 1'-0"  
03242-F2-A612



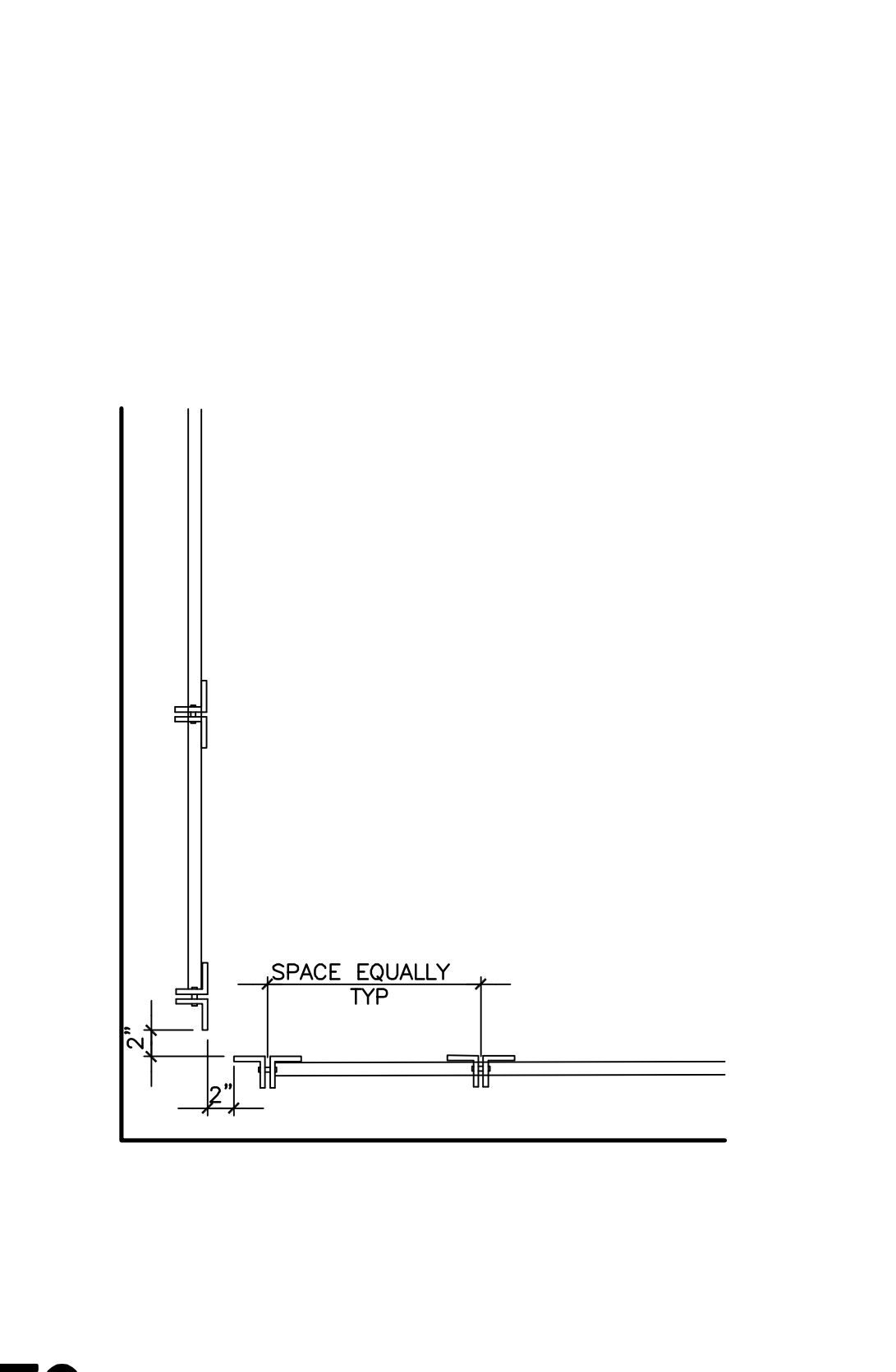
**F3 INTERIOR STAIR DETAIL**  
1-1/2" = 1'-0"  
D0322585



**F4 INTERIOR STAIR DETAIL**  
1-1/2" = 1'-0"  
D0322585



**F5 TYPICAL HANDRAIL**  
3" = 1'-0"  
D0321556



**F6 GUARDRAIL CORNER SPACING**  
1" = 1'-0"  
D0324188\_CORNER

**WPT ARCHITECTURE inc**  
513 NW 13TH AVENUE 300  
PORTLAND OREGON 97209  
TEL 503 827 0505  
FAX 503 827 0506

**L A FITNESS INTERNATIONAL**

**L A FITNESS  
PORTLAND  
LLOYD CENTER**

PORTLAND, OR

PROJECT NO: 03242  
FILE: 03242-A612  
DRAWN: XXX  
DATE: SEPT 29 2008 BID ISSUE  
REVISION: DESCRIPTION:  
10 OCT 10 2008 ADD 01  
11 OCT 22 2008 ADD 02  
12 JAN 19 2009 ADD 04  
13 FEB 03 2009 ADD 06  
14 APR 29 2009 ASI 03

SHEET TITLE:  
**STAIR DETAILS**

SHEET NO.:  
**A612**  
ASI 03.02