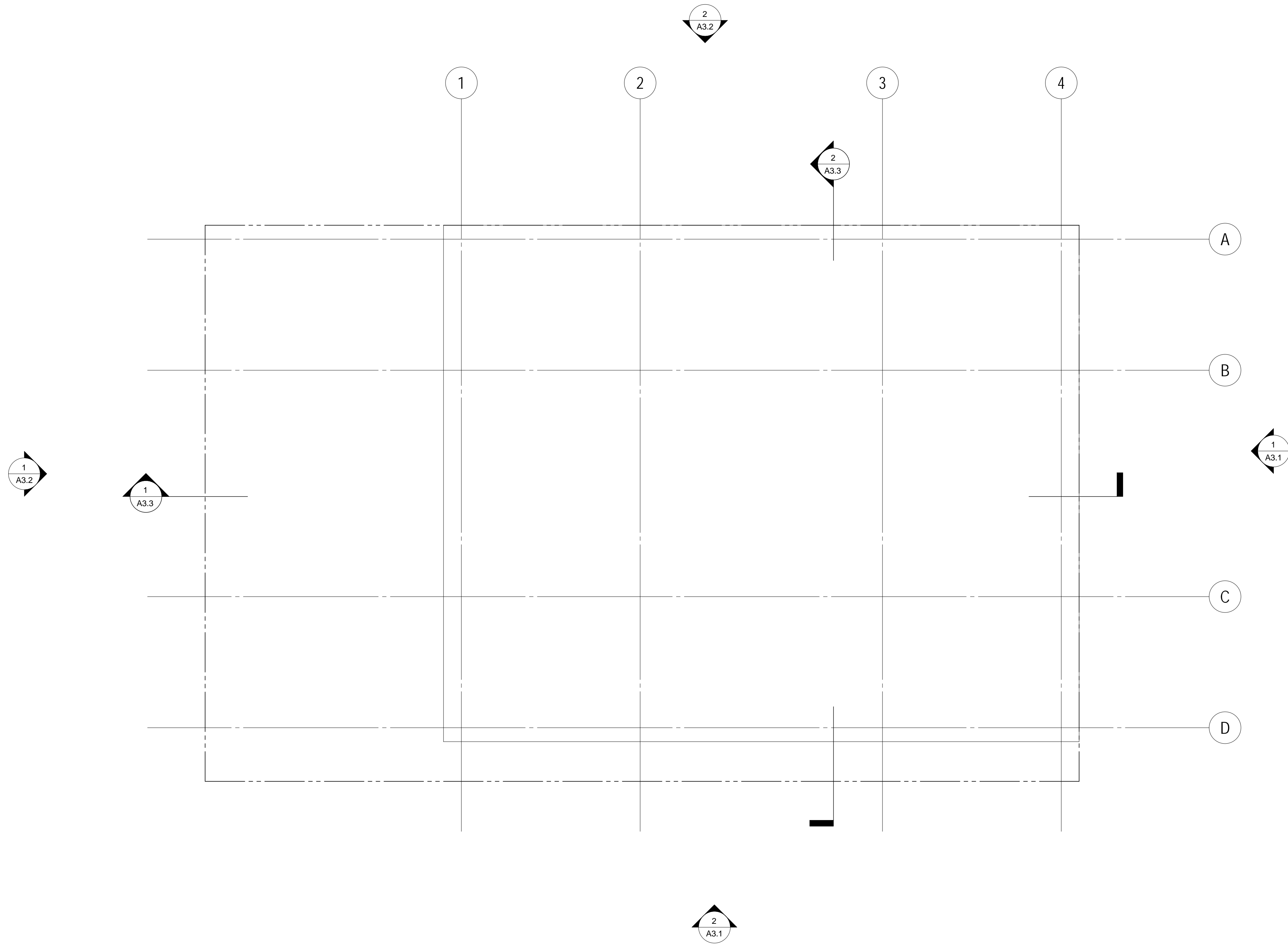


Revisions



ARC 165/271

1111 South Figueroa Place
Wilmington, CA 90744
(310) 233-4167

Drawing Title

ROOF PLAN

Date: April 3, 2014

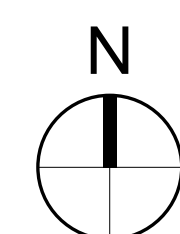
Job No: 2014.01

Drawn By: JM

Checked By: JM

Drawing No.

1 ROOF
A2.4 1/8" = 1'-0"



A2.4

50% CD