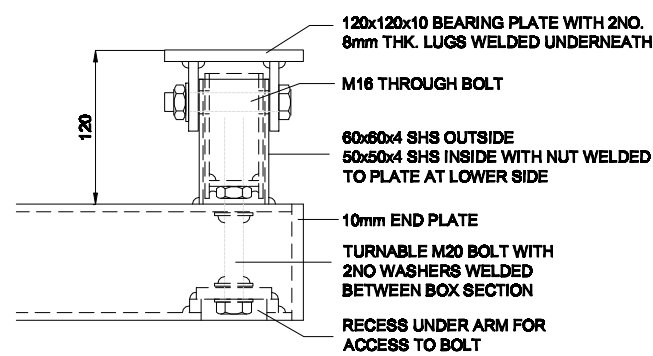
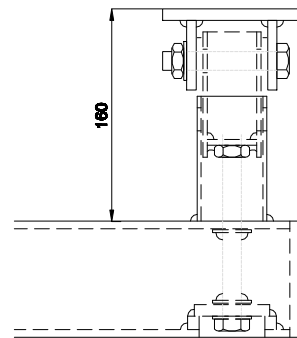


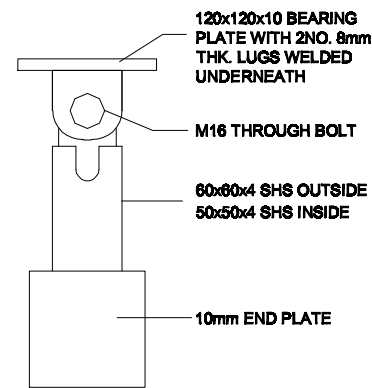
3D VIEW



ADJUSTABLE SUPPORT ARM (RETRACTED)



ADJUSTABLE SUPPORT ARM (EXTENDED)



ENDVIEW (EXTENDED)



PIC 1



PIC 2

Project  
**Viking Longship Stand**

Task  
Design & Detail

Prepared by  
A.J. Browne