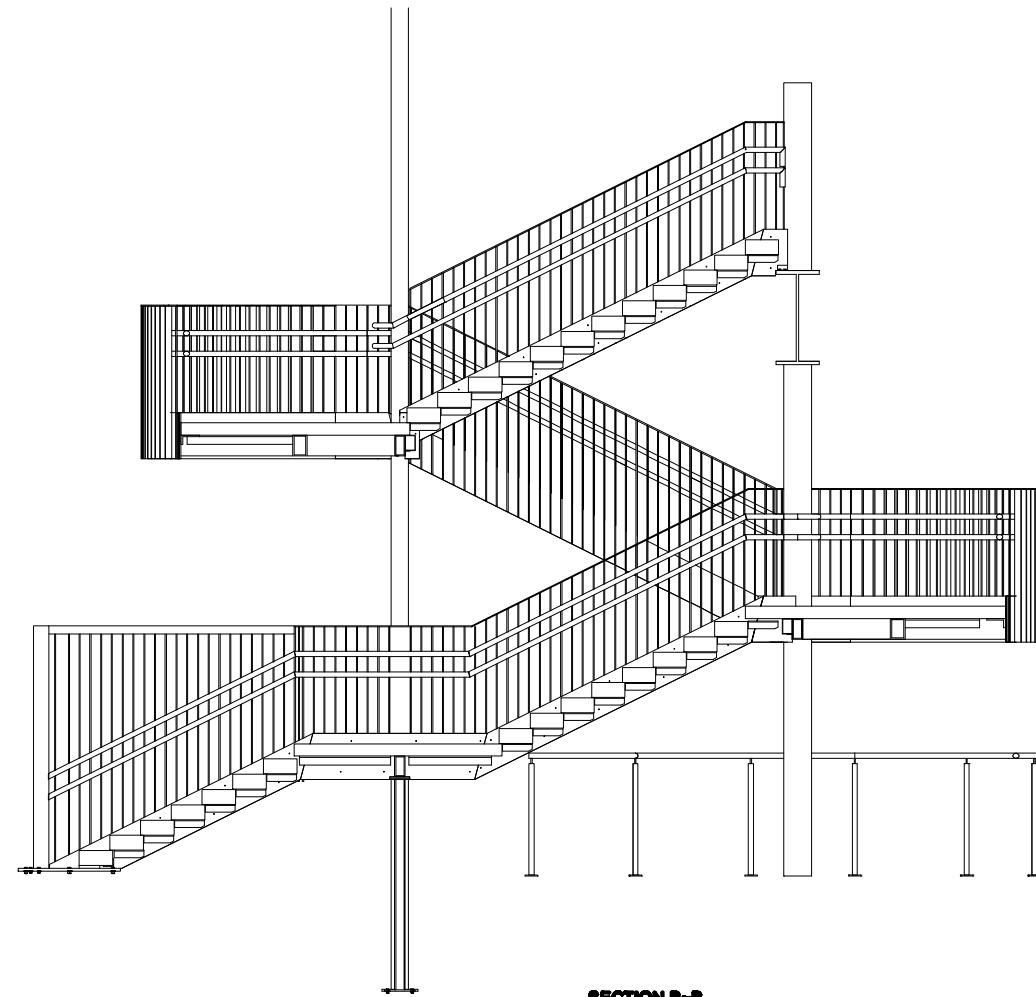
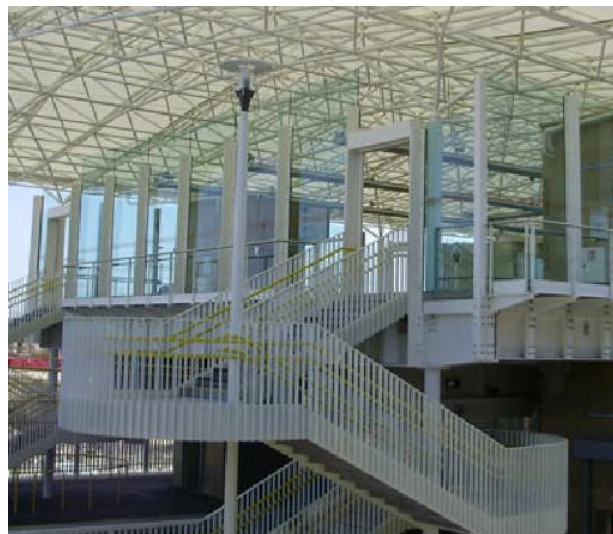


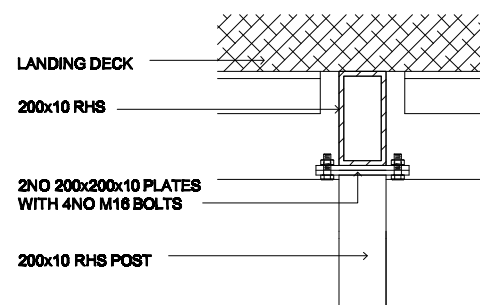
3D View



SECTION B-B



PIC 1

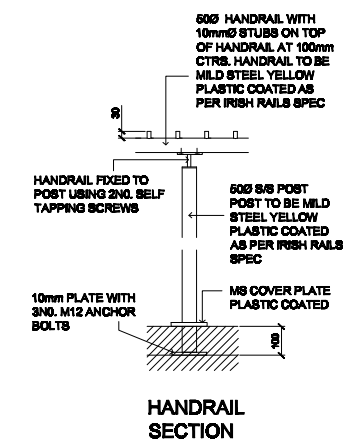


DETAIL 1

DETAIL X



PIC 2



DETAIL 2

Project Architectural Stairs	
Task Design & Detail	Prepared by A.J. Browne