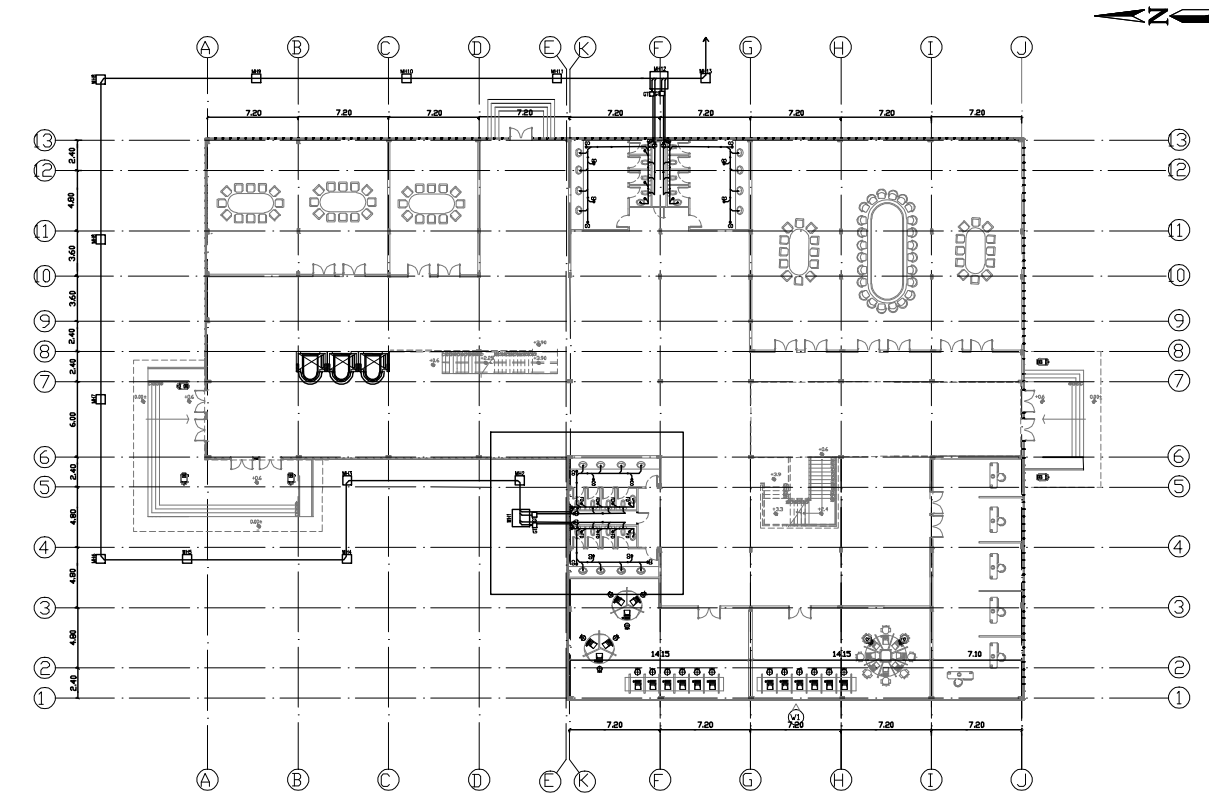
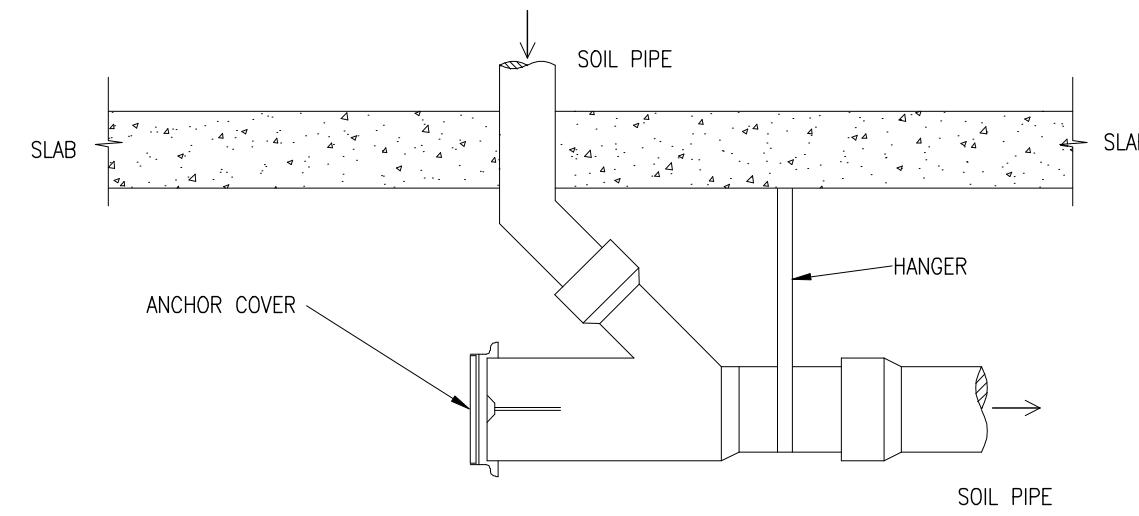


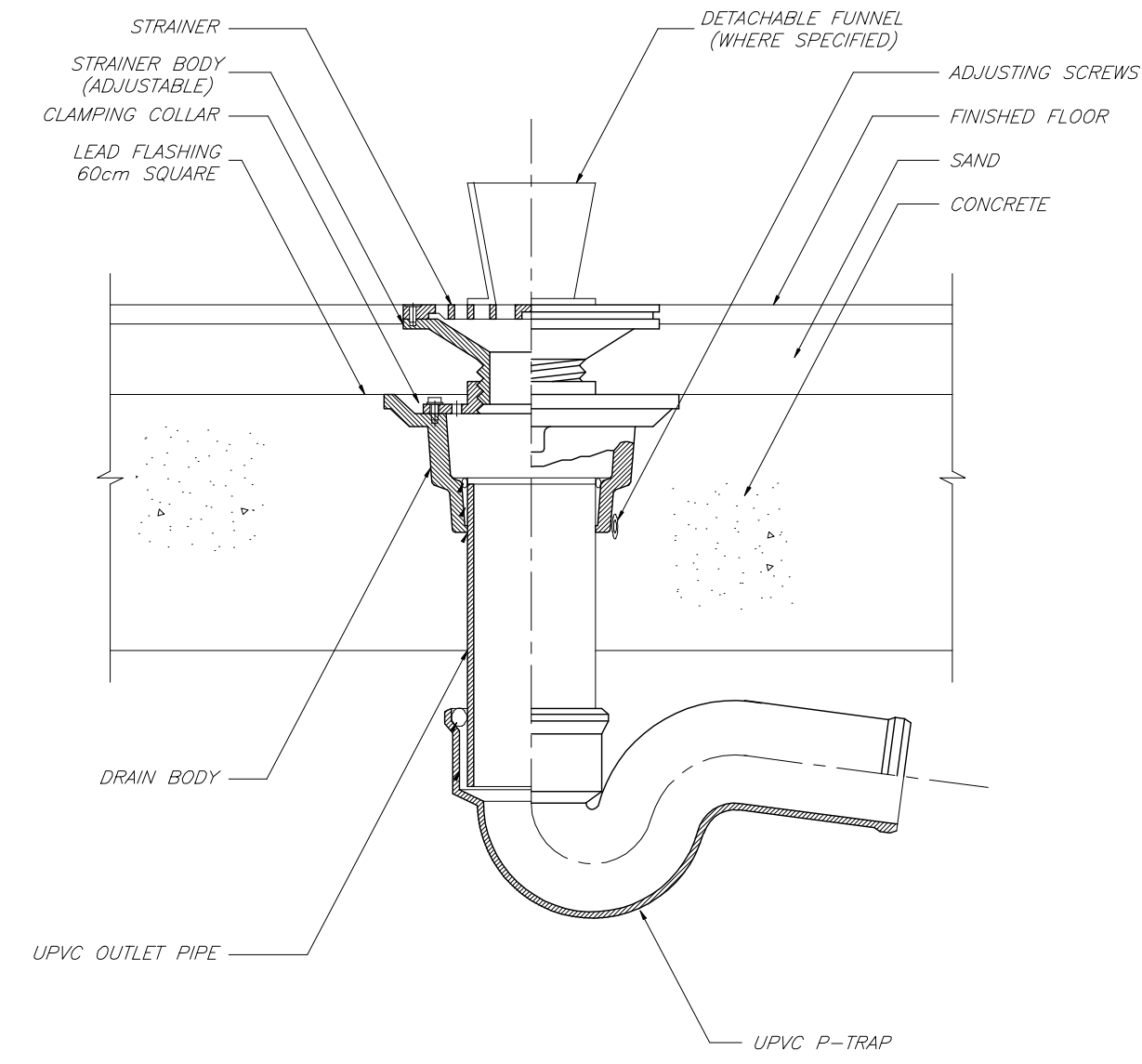
**A3** Ground Floor Bathroom drainage  
Scale 1/50



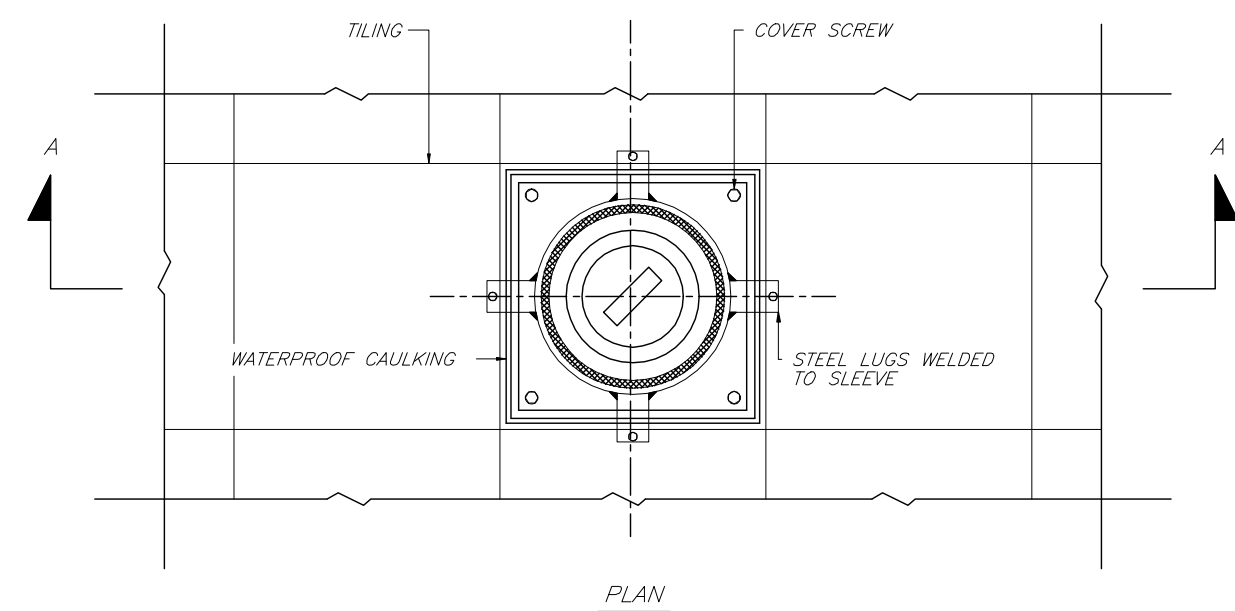
Ground Floor Plan  
Scale 1/100



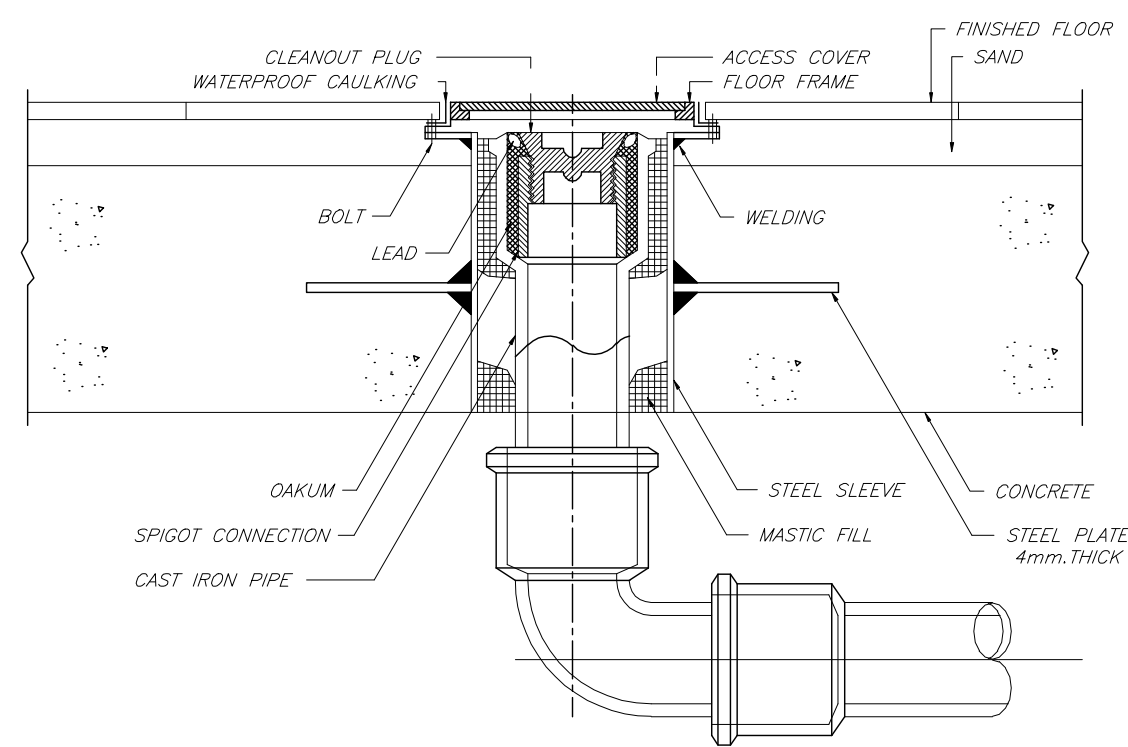
CLEANOUT DETAIL



FLOOR DRAIN DETAIL  
FOR A/C EQUIPMENT

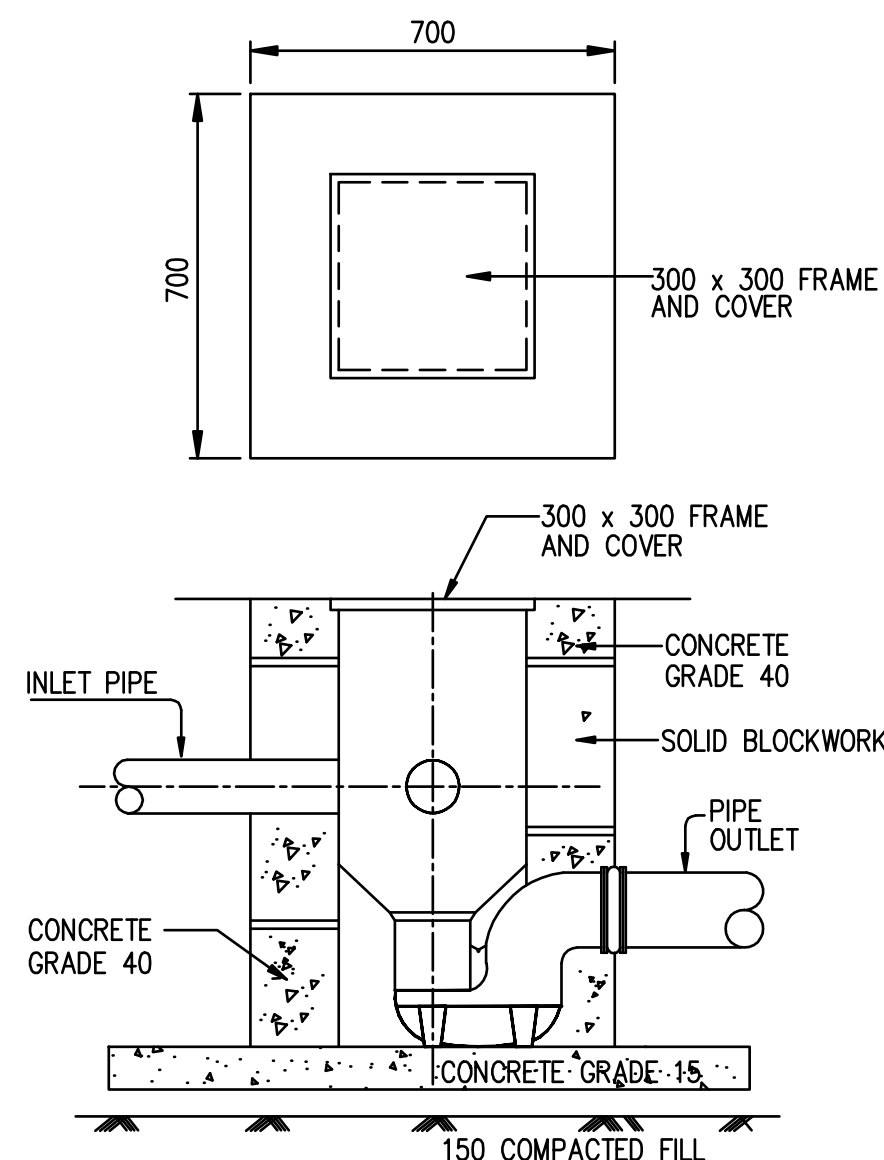


PLAN

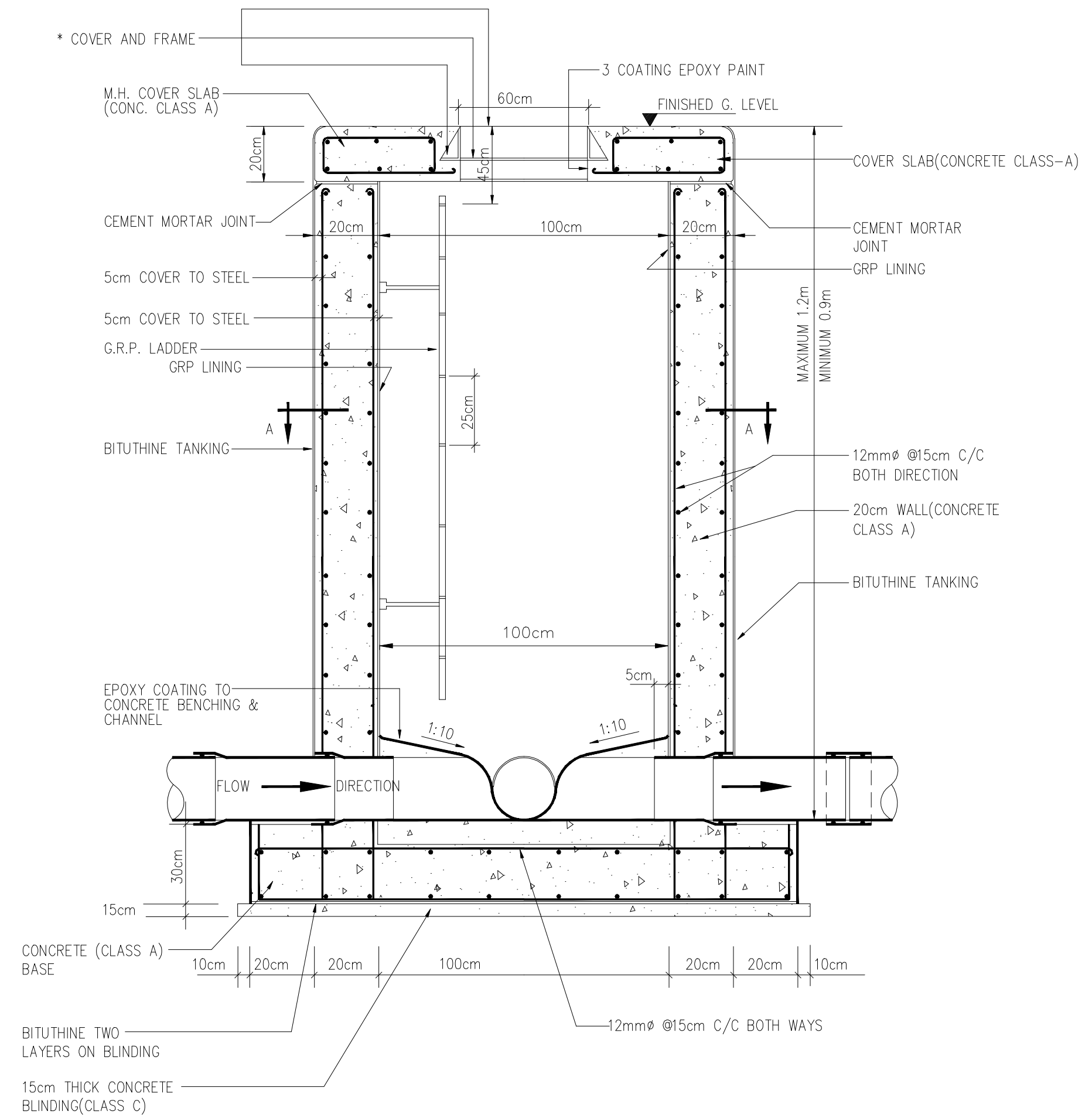


SECTION A-A

FLOOR CLEANOUT DETAIL



Scale 1/10  
Typical detail of gully Trap



Scale 1/10  
Shallow Manhole



Faculty of Engineering  
Architectural Engineering Department