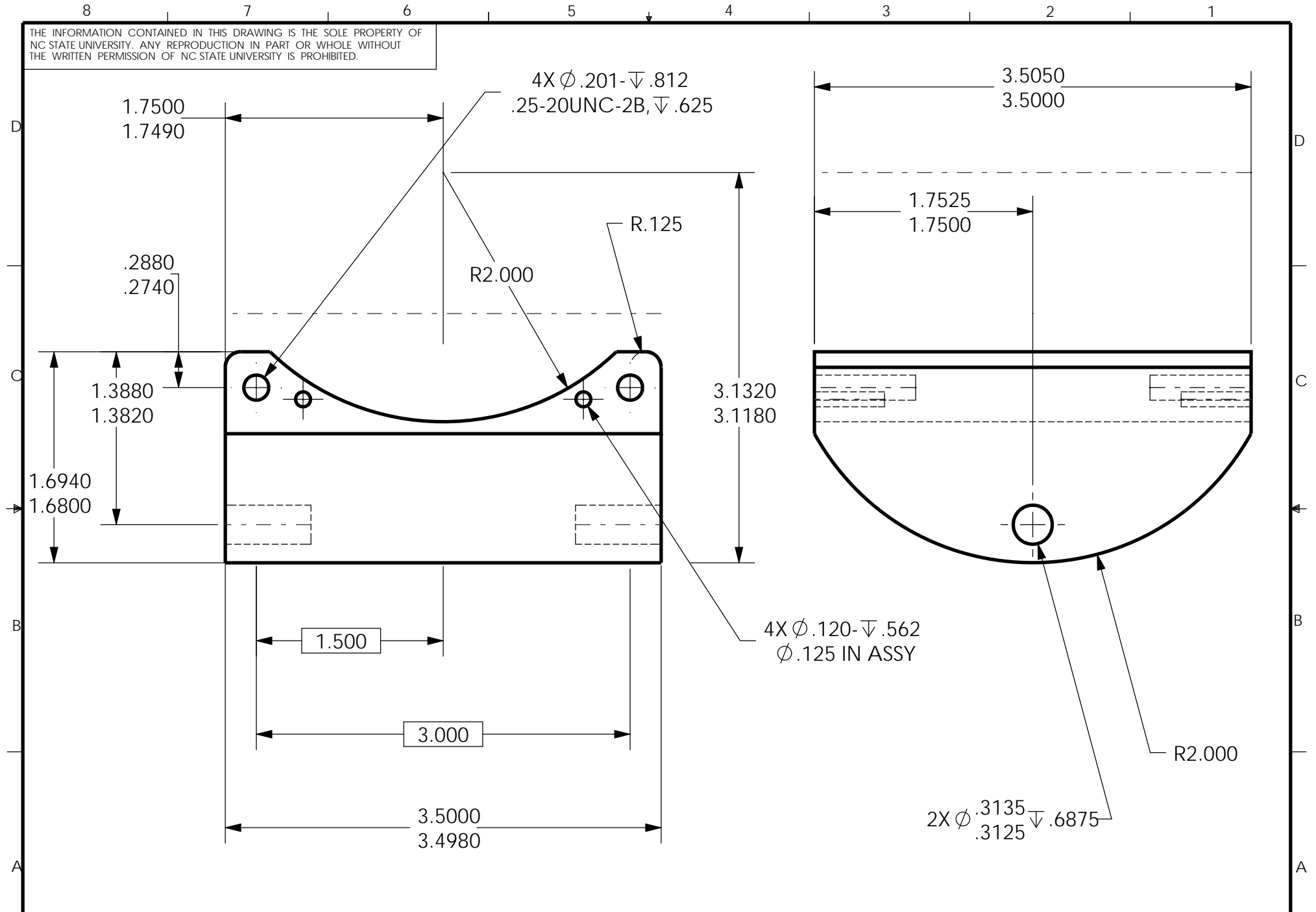


THE INFORMATION CONTAINED IN THIS DRAWING IS THE SOLE PROPERTY OF NC STATE UNIVERSITY. ANY REPRODUCTION IN PART OR WHOLE WITHOUT THE WRITTEN PERMISSION OF NC STATE UNIVERSITY IS PROHIBITED.



NORTH CAROLINA STATE UNIVERSITY

P.O. BOX 7801  
Raleigh, North Carolina

UNLESS OTHERWISE SPECIFIED  
DIMENSIONS ARE IN INCHES  
TOLERANCES ARE:  
FRACTIONS DECIMALS ANGLES  
+ .XX+ .XX + 1  
.XXX+ .XXX

DRAWN JAMES MUNDY

DATE 12/1/07

CENTER MEMBER

MATERIAL COLD ROLLED STEEL

SCALE 1:1

SIZE A DWG. NO. 2

REV.