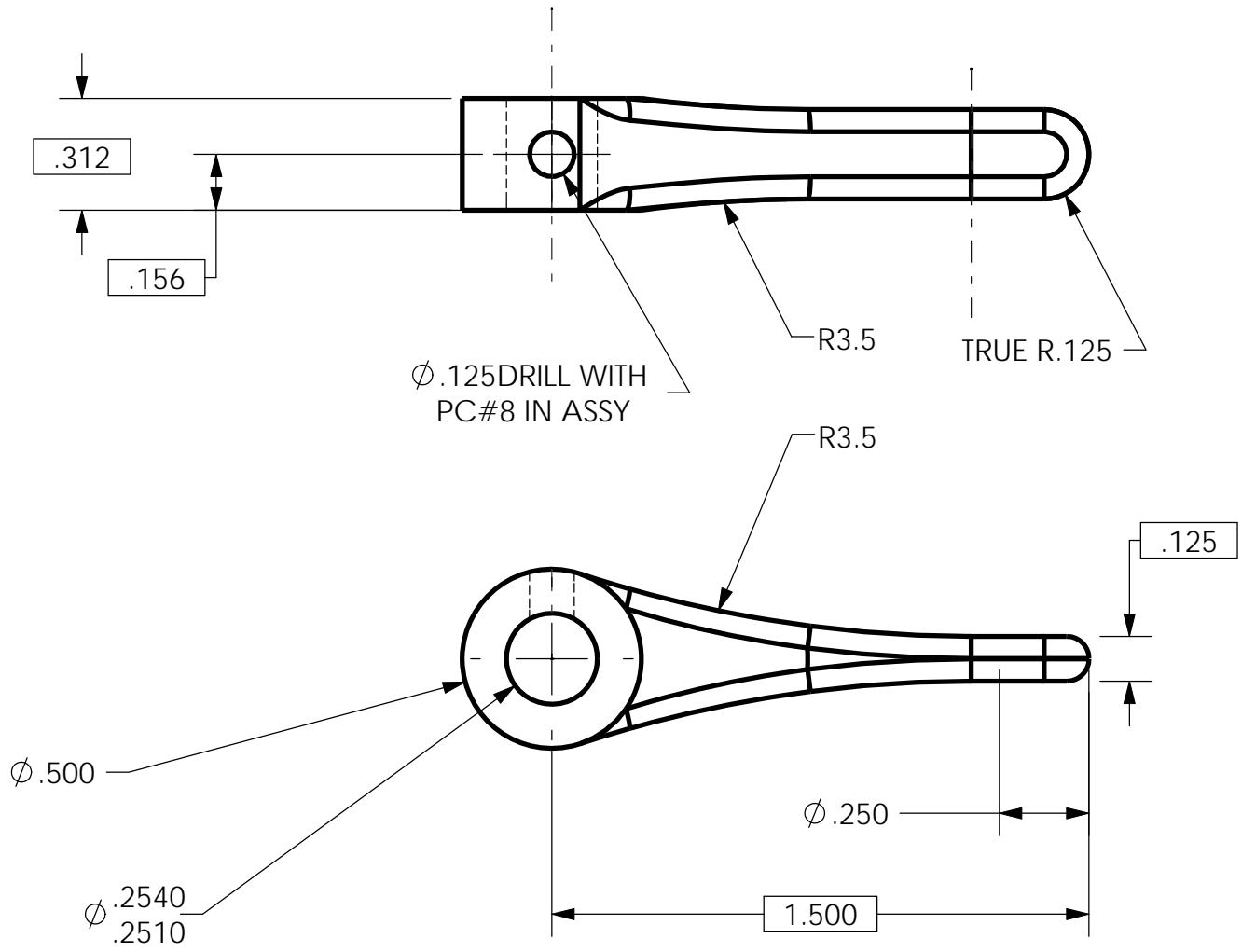


THE INFORMATION CONTAINED IN THIS DRAWING IS THE SOLE PROPERTY OF NC STATE UNIVERSITY. ANY REPRODUCTION IN PART OR WHOLE WITHOUT THE WRITTEN PERMISSION OF NC STATE UNIVERSITY IS PROHIBITED.

FILLETS R.062



NORTH CAROLINA STATE UNIVERSITY

P.O. BOX 7801
Raleigh, North Carolina

UNLESS OTHERWISE SPECIFIED
DIMENSIONS ARE IN INCHES
TOLERANCES ARE:
FRACTIONS .XX+ .XX -1
DECIMALS .XXX+ .XXX
ANGLES + 1

DRAWN	JAMES MUNDY	DATE	12/1/07
-------	-------------	------	---------

MATERIAL	COLD ROLLED STEEL	SCALE	SCALE
----------	-------------------	-------	-------

LOCKING HANDLE

SIZE	A	DWG. NO.	7	REV.	
------	---	----------	---	------	--

SolidWorks Student License
Academic Use Only