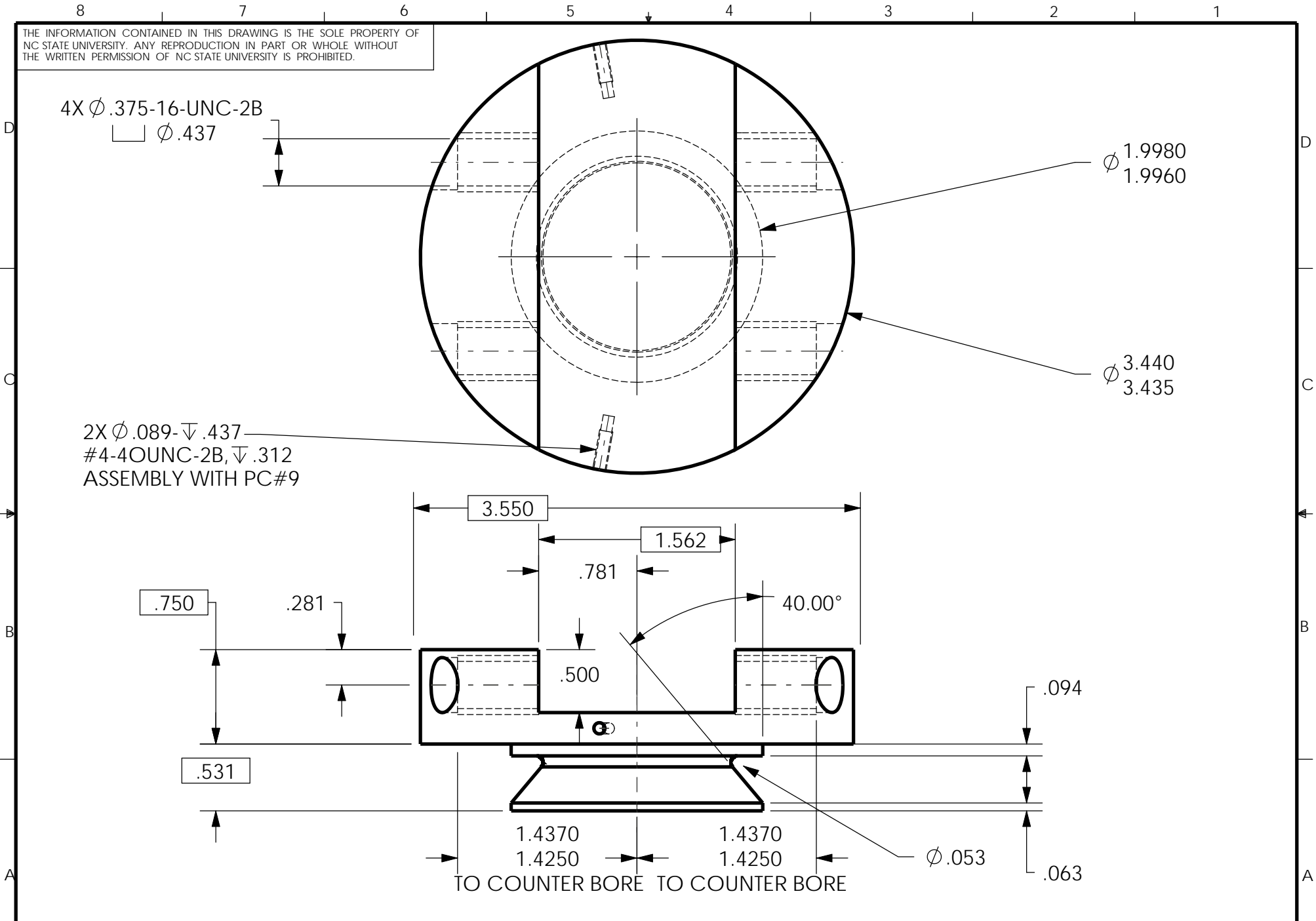


THE INFORMATION CONTAINED IN THIS DRAWING IS THE SOLE PROPERTY OF NC STATE UNIVERSITY. ANY REPRODUCTION IN PART OR WHOLE WITHOUT THE WRITTEN PERMISSION OF NC STATE UNIVERSITY IS PROHIBITED.



NORTH CAROLINA STATE UNIVERSITY

P.O. BOX 7801
Raleigh, North Carolina

UNLESS OTHERWISE SPECIFIED
DIMENSIONS ARE IN INCHES
TOLERANCES ARE:
FRACTIONS DECIMALS ANGLES
+ .XX+ .XX + 1
.XXX+ .XXX

DRAWN	JAMES MUNDY	DATE	12/1/07
MATERIAL	COLD ROLLED STEEL	SCALE	1:1

TOOL HOLDER	
SIZE A	DWG. NO. 4
REV.	

SolidWorks Student License
Academic Use Only