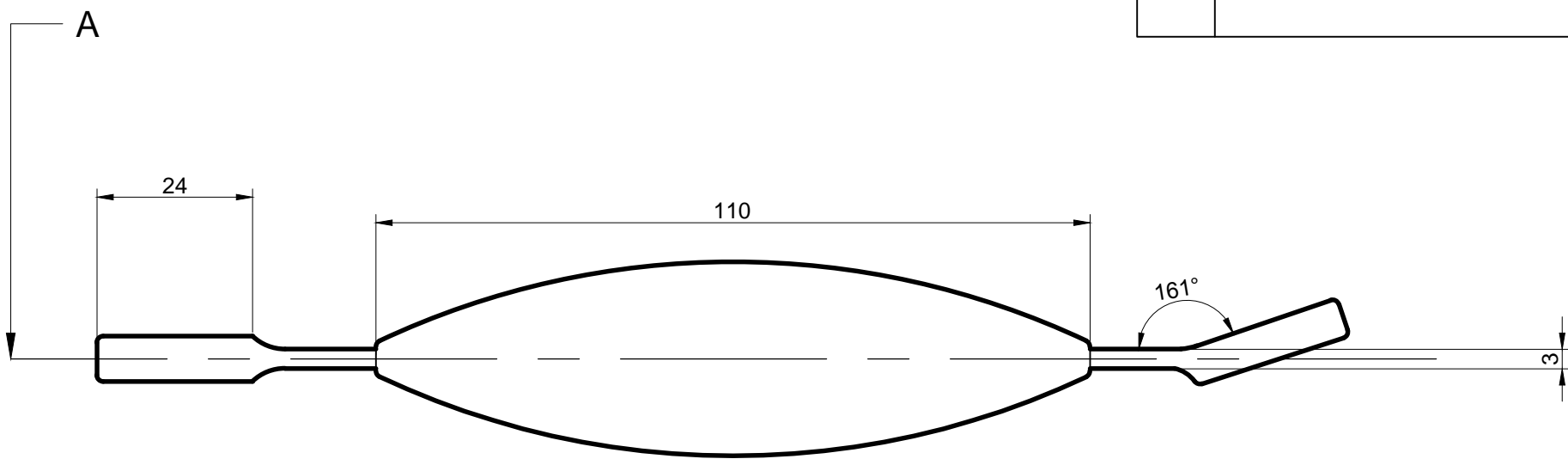
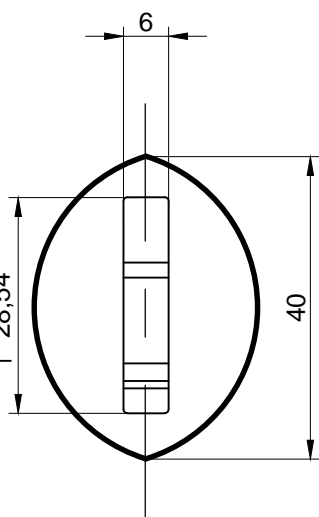


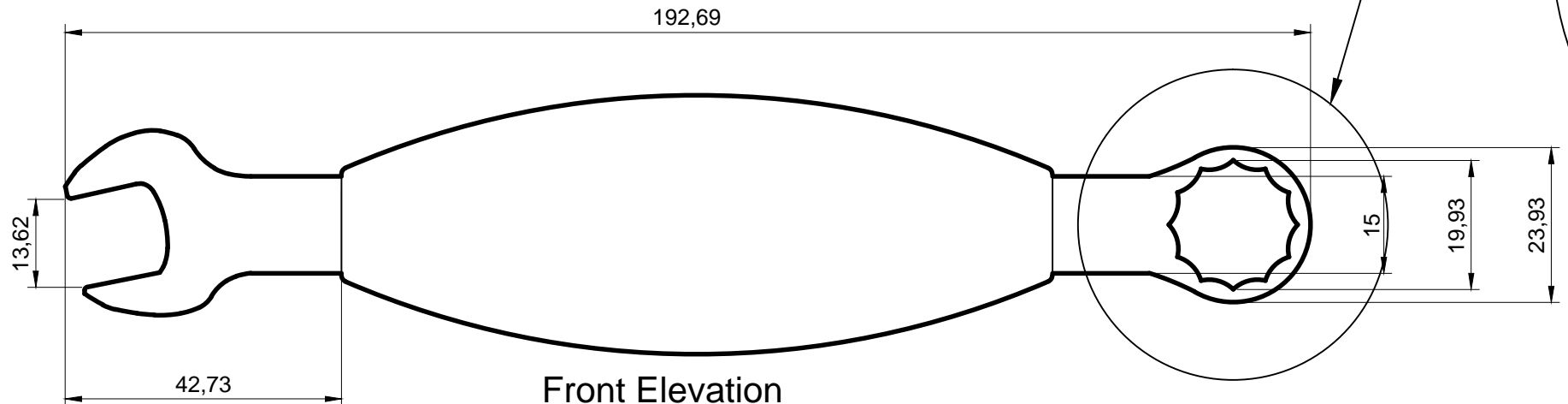
RevNo	Revision note	Date	Signature	Checked



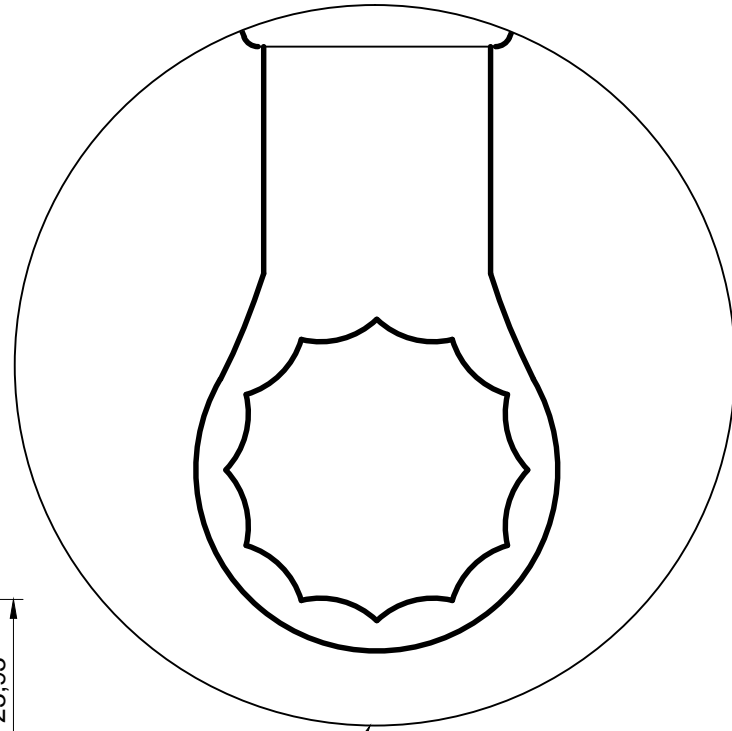
Right Elevation



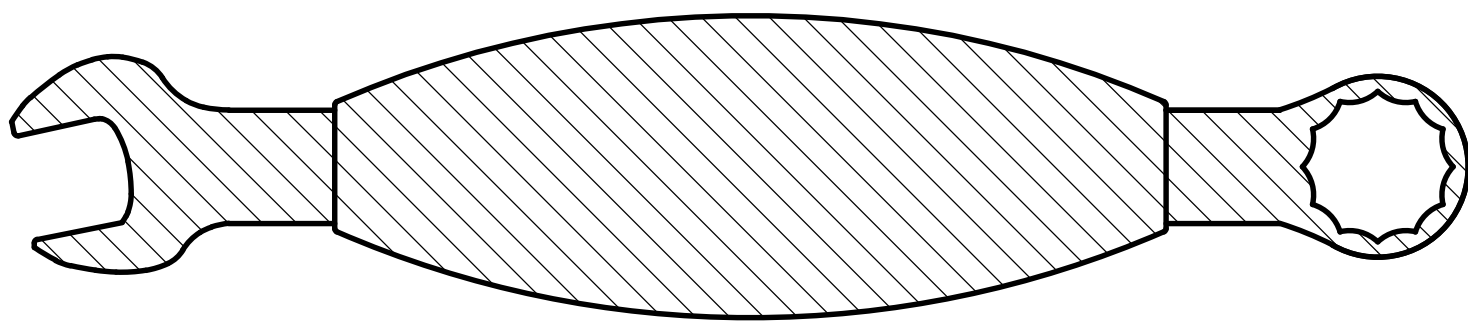
Plan Elevation



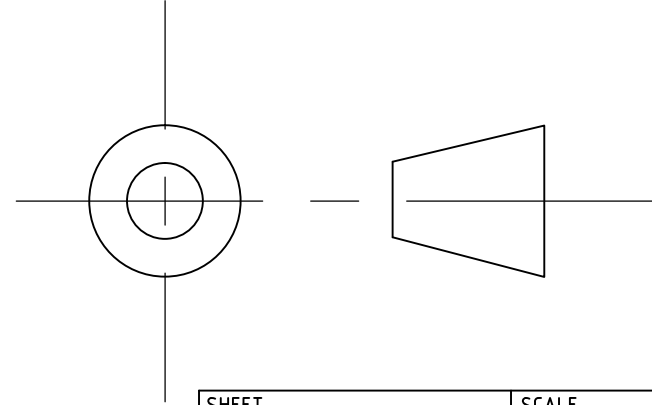
Front Elevation



Detailed B
2:1



Cross Sectional Elevation



SHEET	Sheet_1	SCALE	1:1
The_Tool_Project			
The_Combination_Spanner B&Q			
N0382079 Izel_Venhar			

PRODUCED BY AN AUTODESK EDUCATIONAL PRODUCT

PRODUCED BY AN AUTODESK EDUCATIONAL PRODUCT