

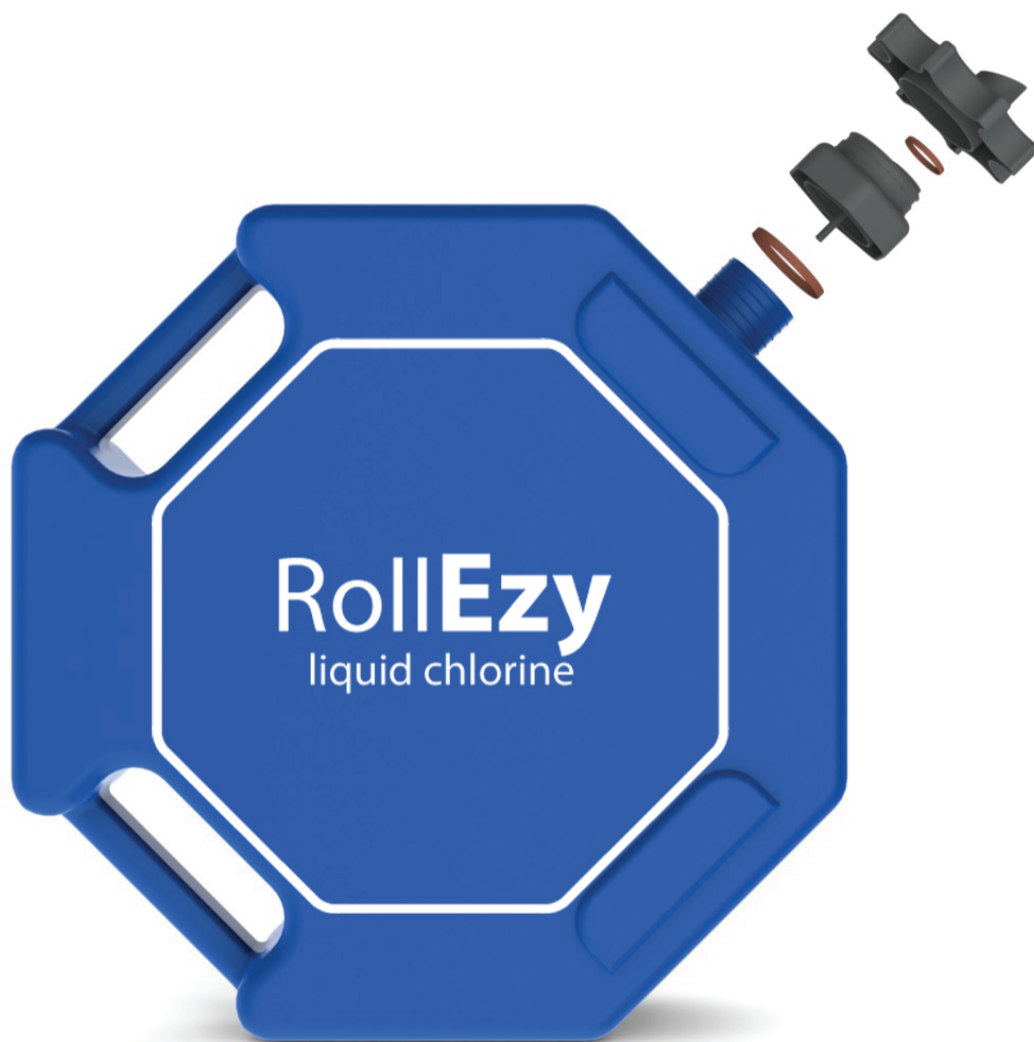
## Problem

- Splashing due to large hole
- Hard to open cap
- Wide bottle uncomfortable to use



- No space between handle and bottle
- Glugging occurs
- Picked up to pour, bottle is very heavy

## Solution



**No need to pick up, roll over to pour.**

**Thinner bottle- hold close to body, easier to carry.**

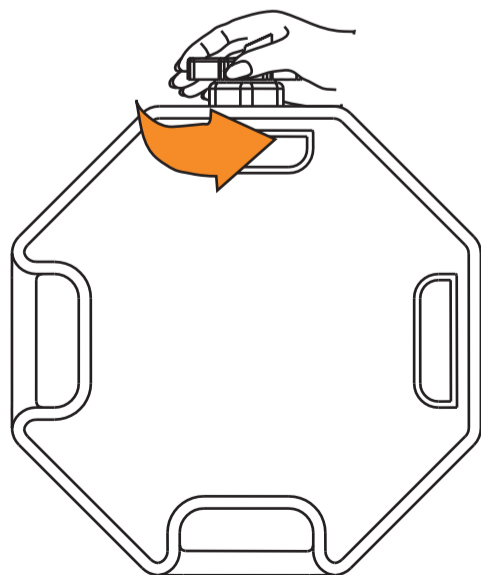
**Larger Space between handle and bottle as well as 2 handles for leverage.**

**No glugging due to air valve.**

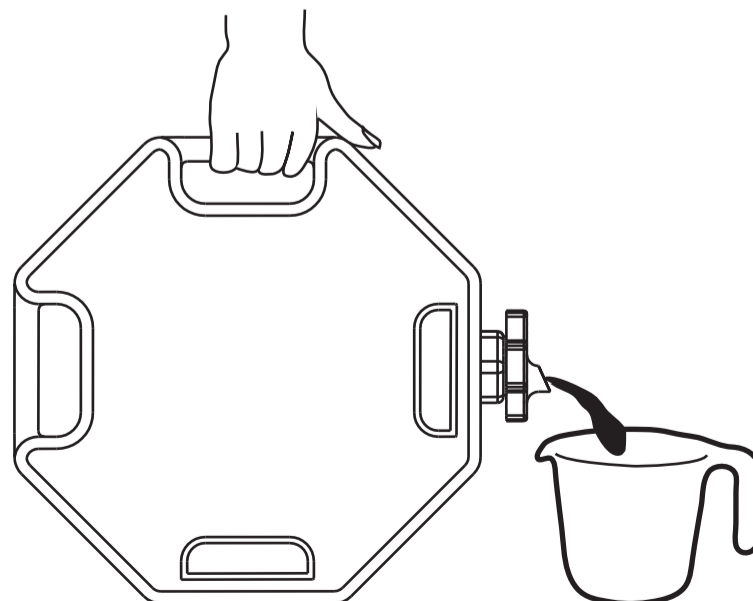
**Spout directs flow of chlorine- no splashing.**

**Cog shaped cap easy to twist open.**

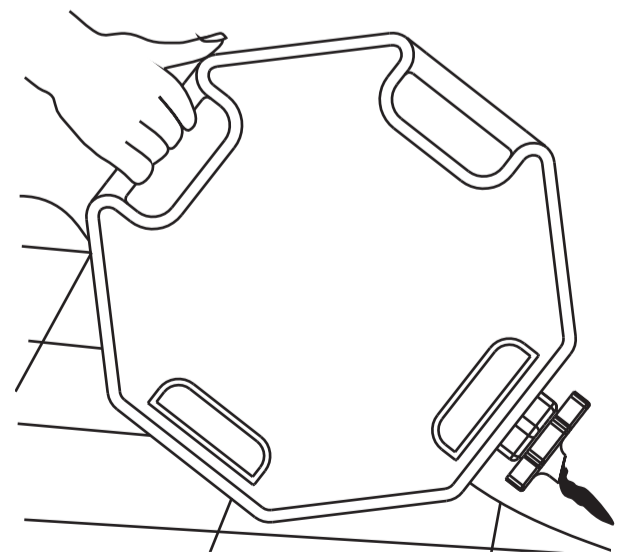
## User instructions



twist cap to open



Roll over to pour into measuring cup



Roll over further to pour straight into pool