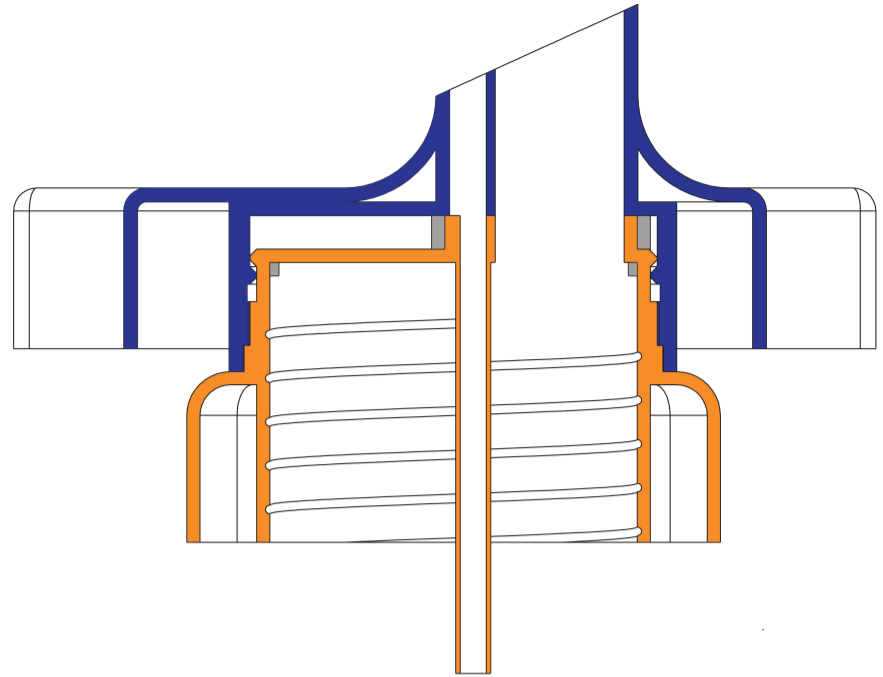
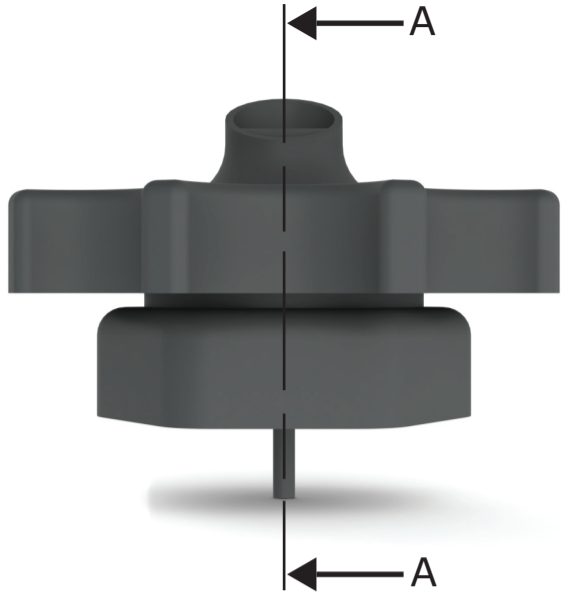



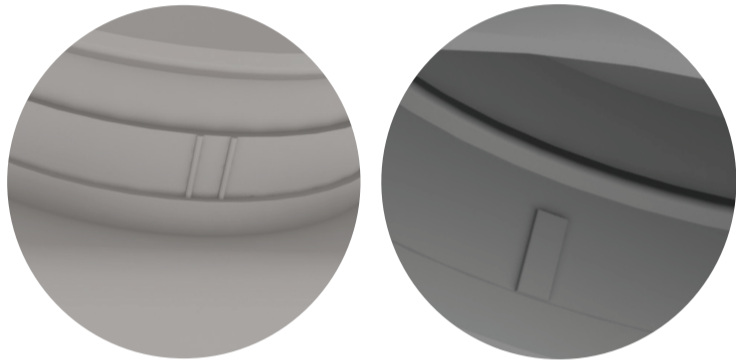


Technical



Section A-A

-  HDPE- Top cap.
-  Silicone rubber- seal.
-  HDPE- Bottom cap.



Notch detail



Cap open



Cap closed

Marketing



Tamper evidence. Plastic is perforated on bottle edge for opening.

