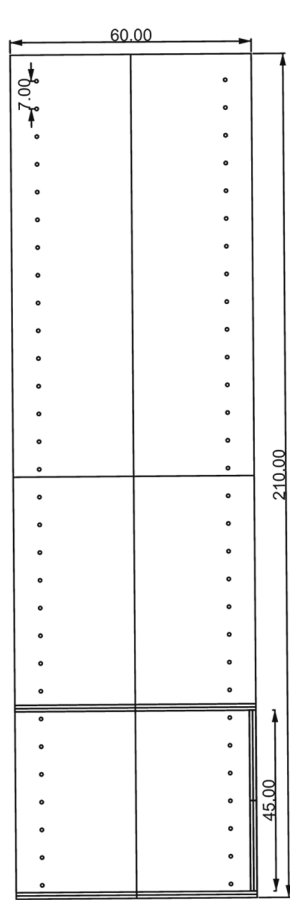
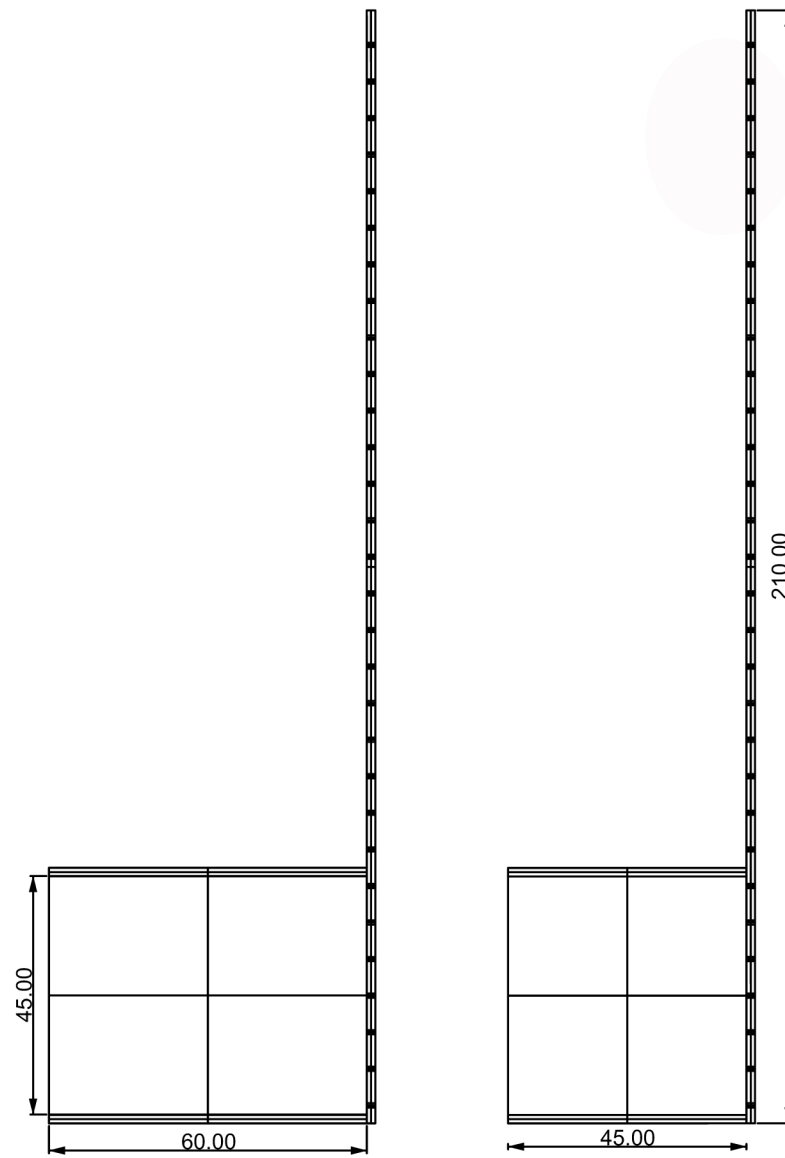


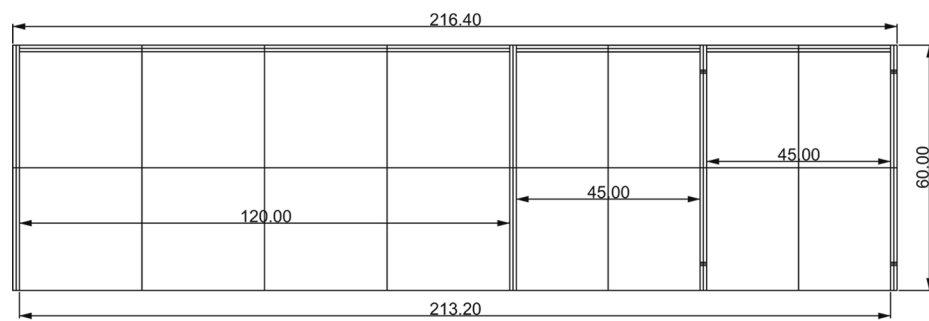
A wardrobe unit - elevation



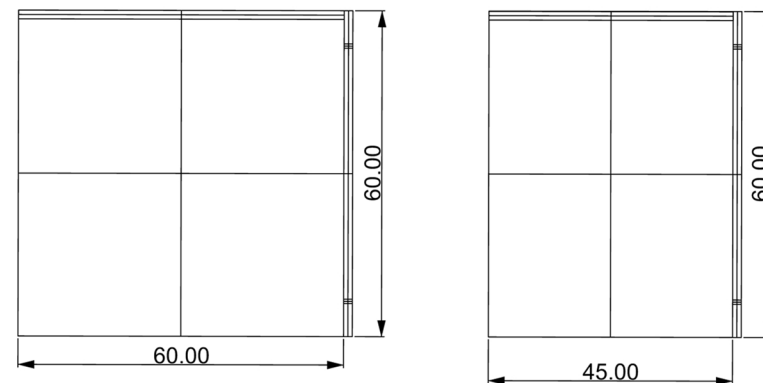
Side elevation



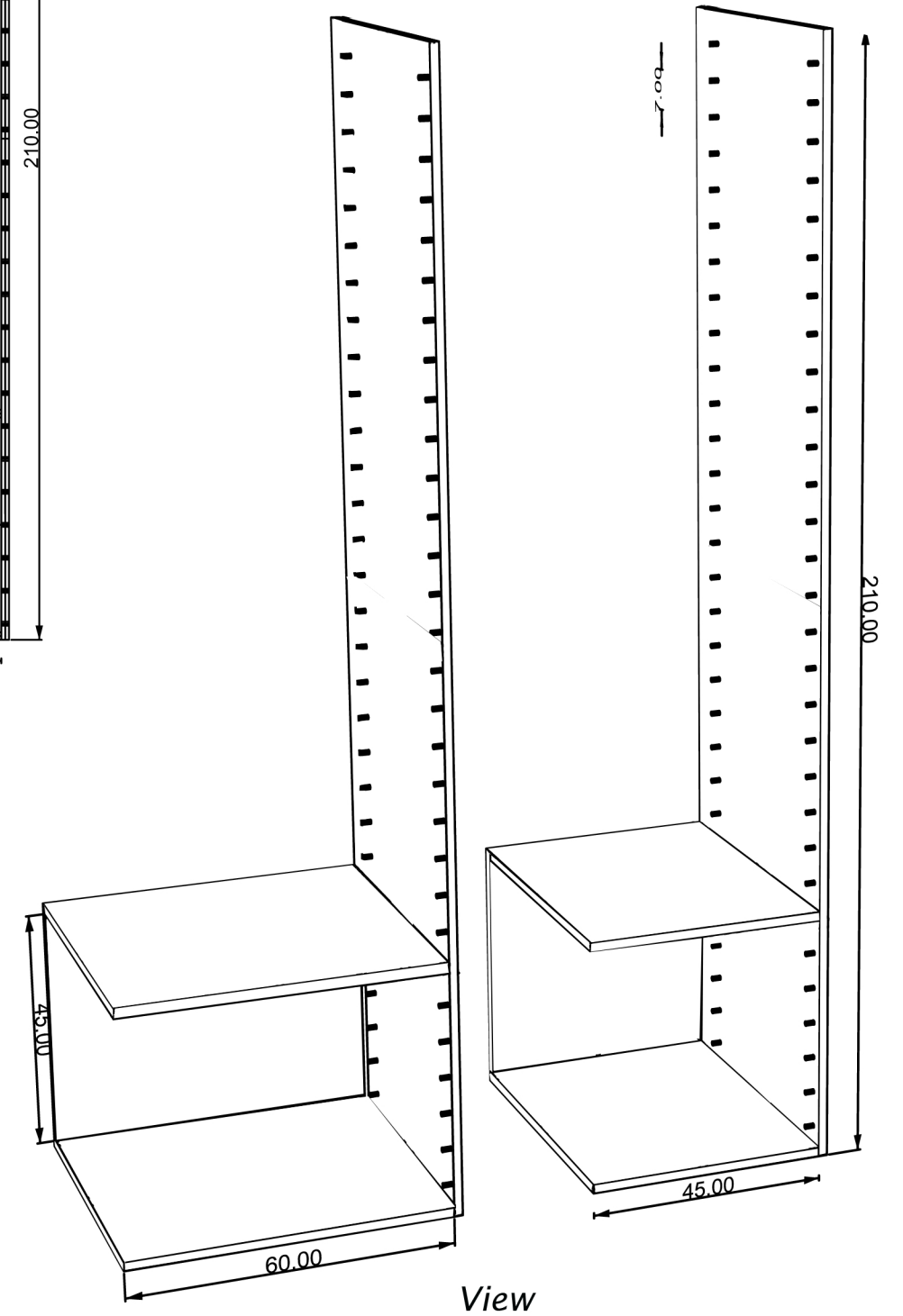
One module - elevation



A wardrobe unit - Plan



One module - plan



View

Type : open / closed carcass optional ; unisex
 Materials : boards (Bison / Plywood)
 each module is made of one vertical board & a foot shelf attached to it. the width of the unit varies from 45,60,90,120 mm. The vertical pieces are punched wid holes at both the ends for shelving screws.

Wardrobe concept - 1
Drawing by - T.Deepika



Individual units



One combined unit of wardrobe

*Type : open / closed carcass optional ; unisex
Materials : boards (Bison / Plywood)
each module is made of one vertical board & a foot shelf attached to it. the width of the unit varies from
45,60,90,120 mm. The vertical pieces are punched wid holes at both the ends for shelving screws.*

*Wardrobe concept - 1
Drawing by - T.Deepika*