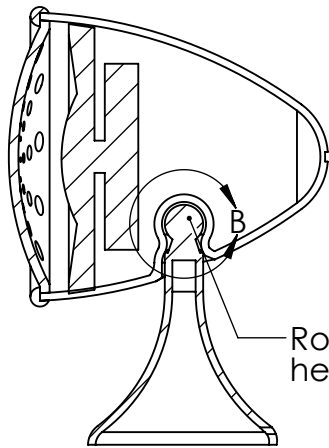
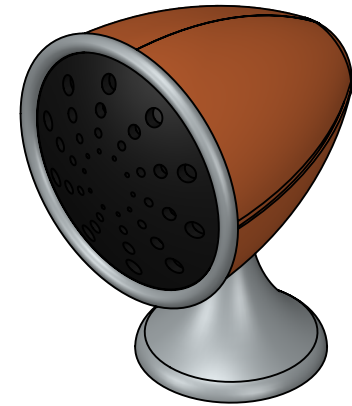
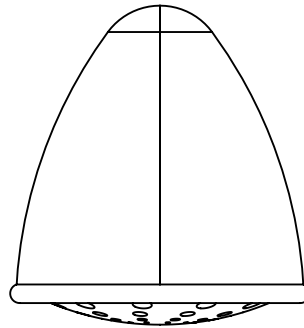
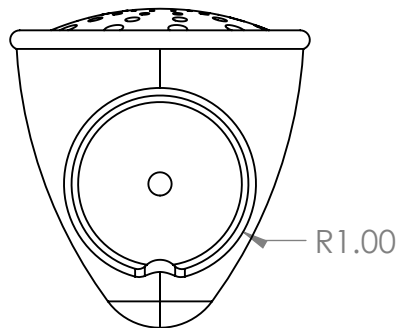
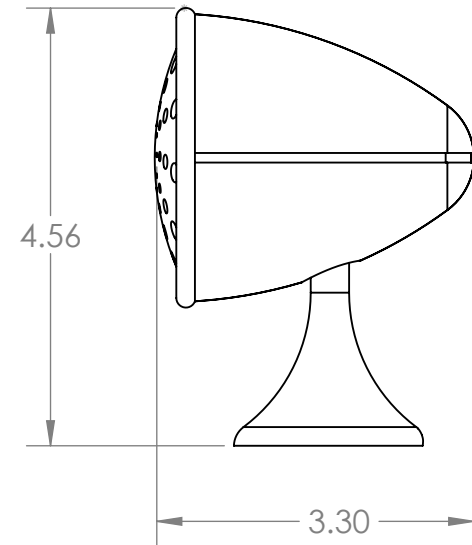
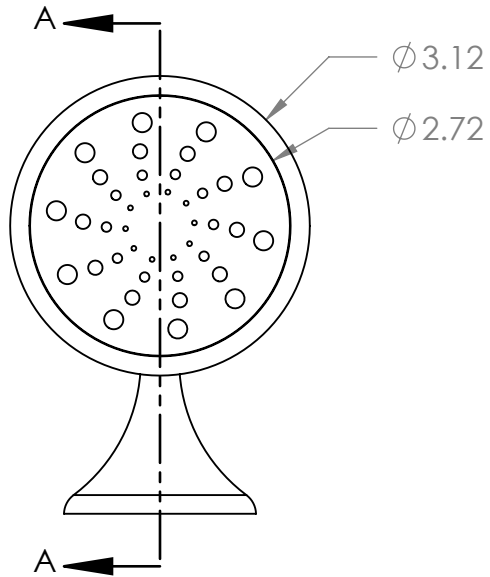


DETAIL B  
SCALE 1 : 1



Rocking and turning  
head to adjust angle

SECTION A-A



PTR  
DES  
IGN

Project: IND-541-SP15 Mid Term

Client: Pratt

Date: 3-10-15

Version: V1

Scale: 2 : 1

Notes: USB Cable not shown