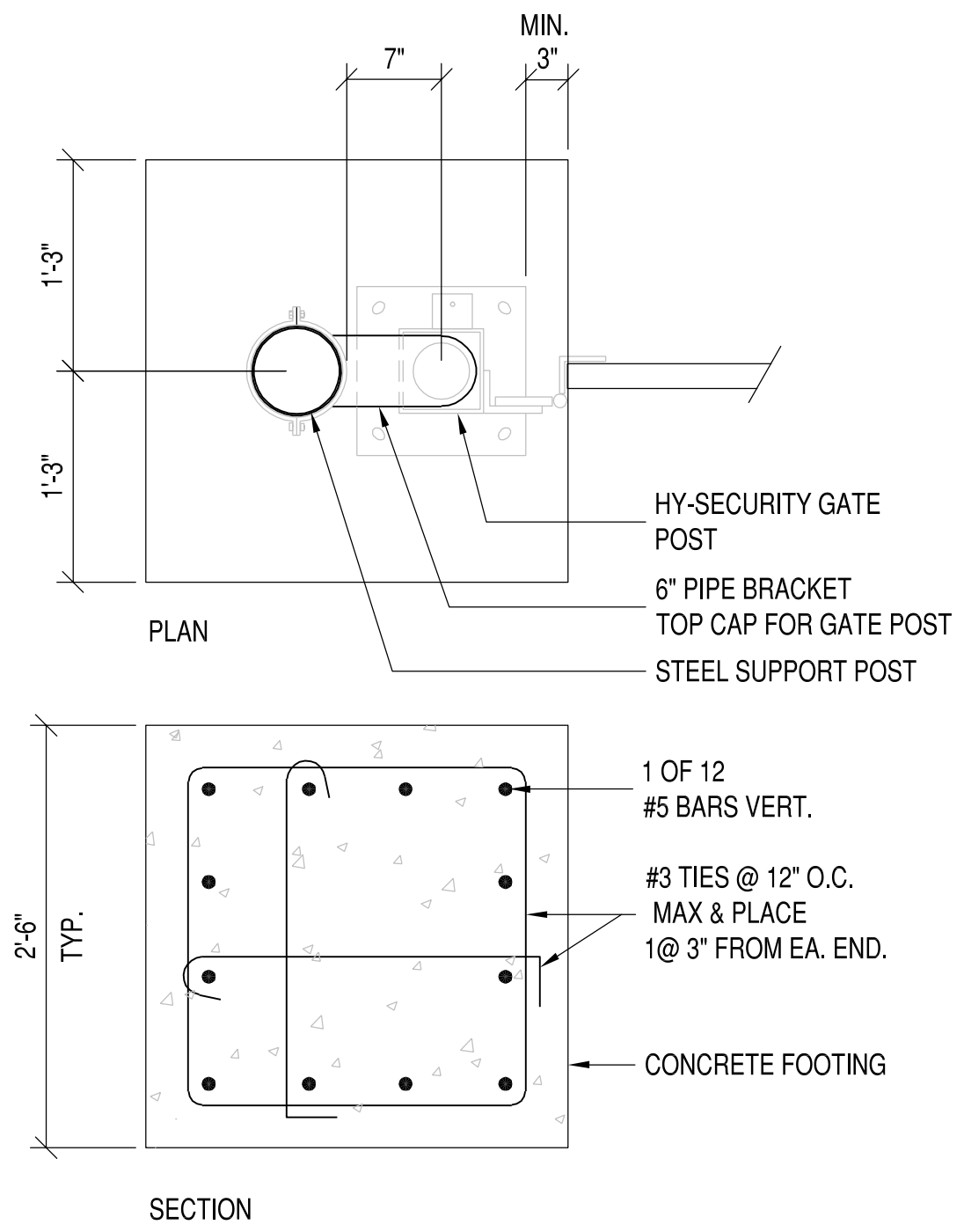
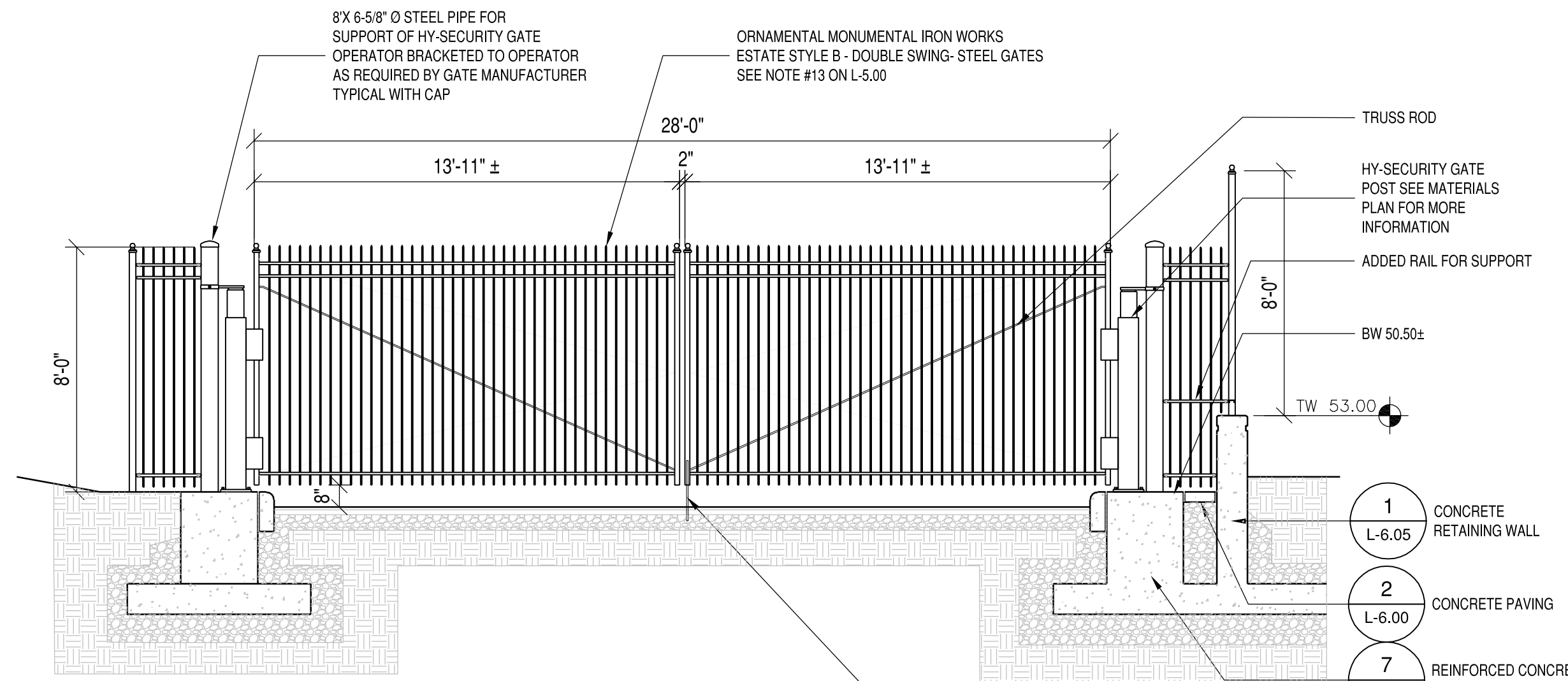


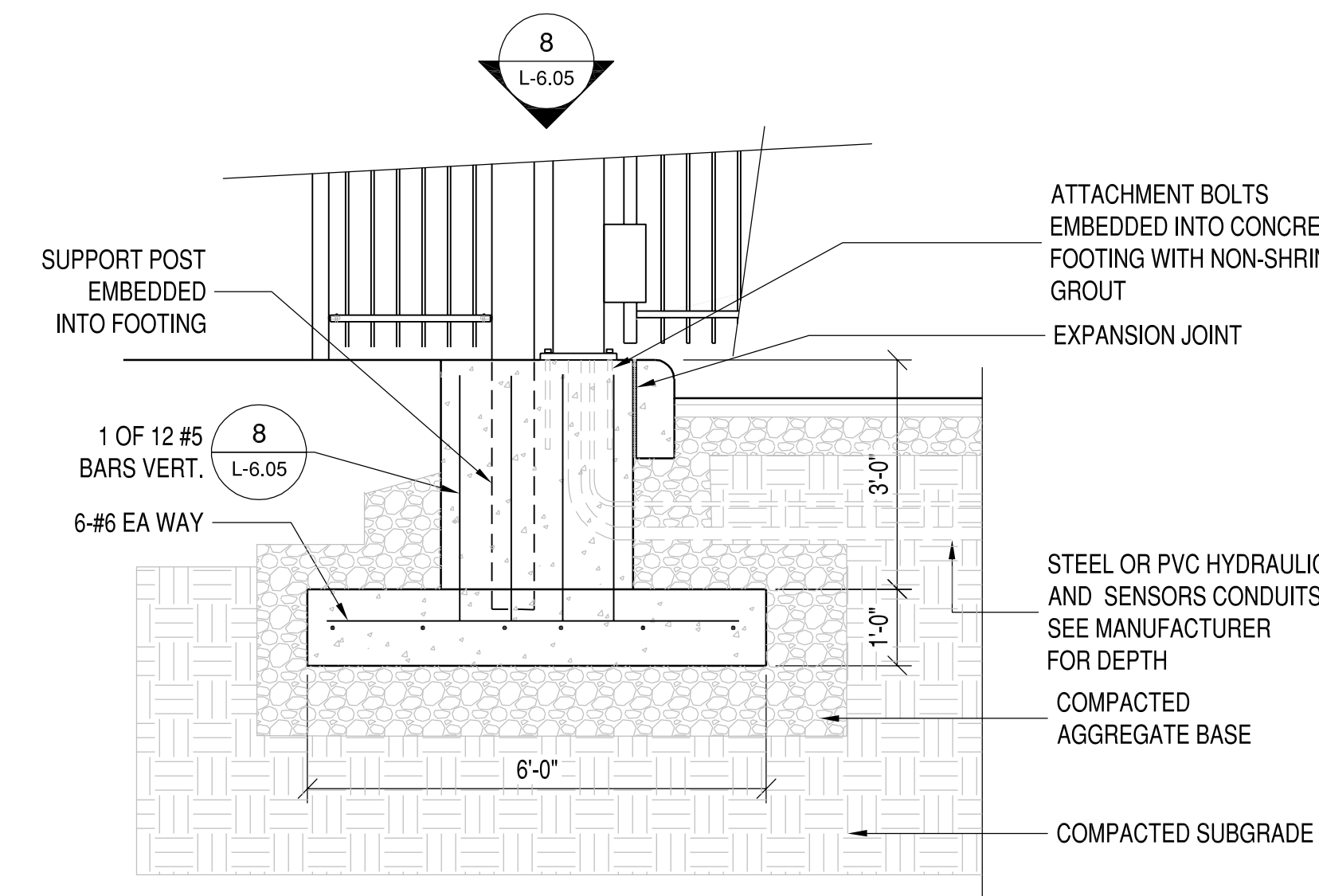
9 CONCRETE LOADING DOCK STAIR - CHEEK WALL SECTION
1/2" = 1'-0"



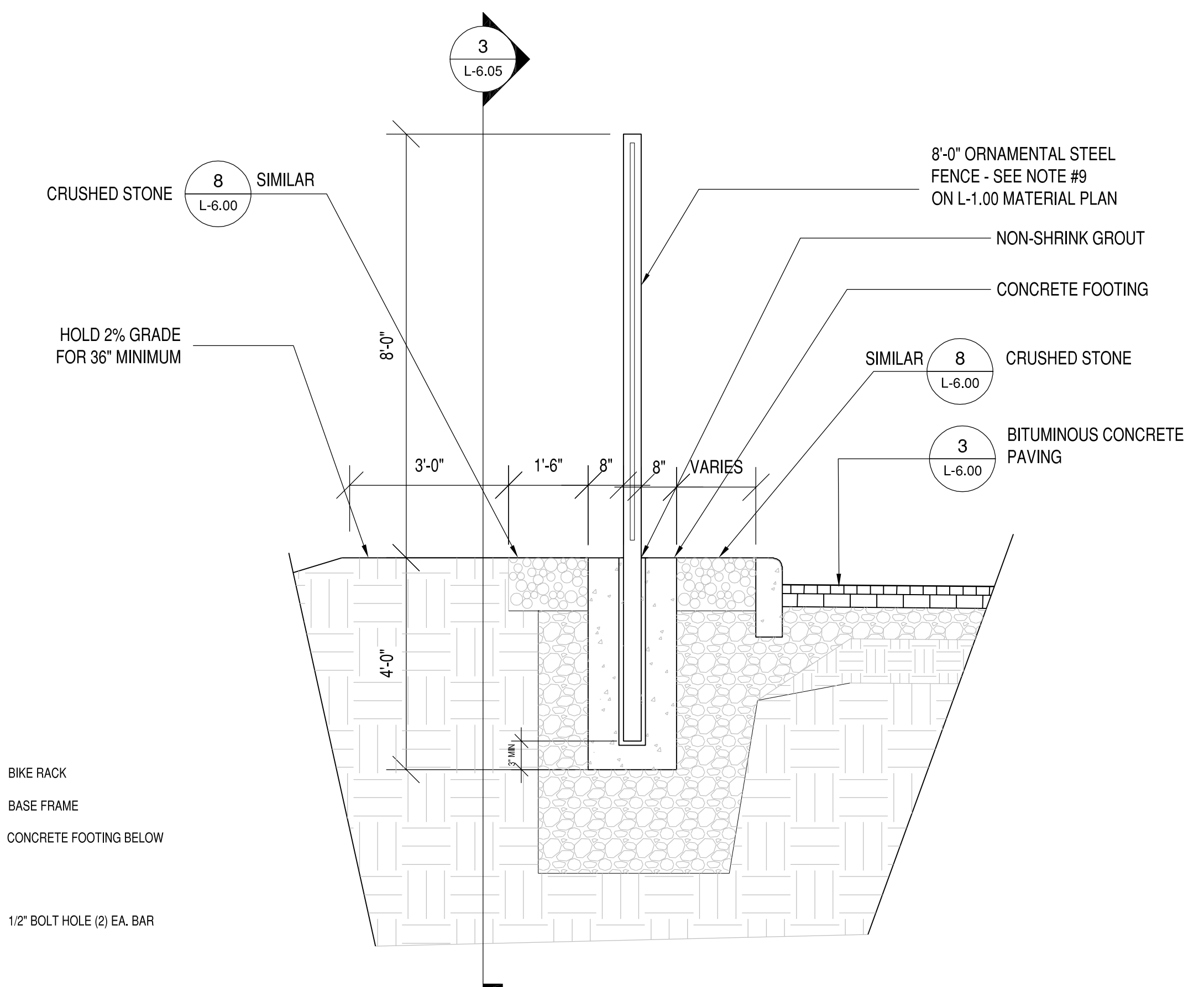
8 HY-SECURITY GATE POST FOOTING
PLAN AND SECTION
1" = 1'-0"



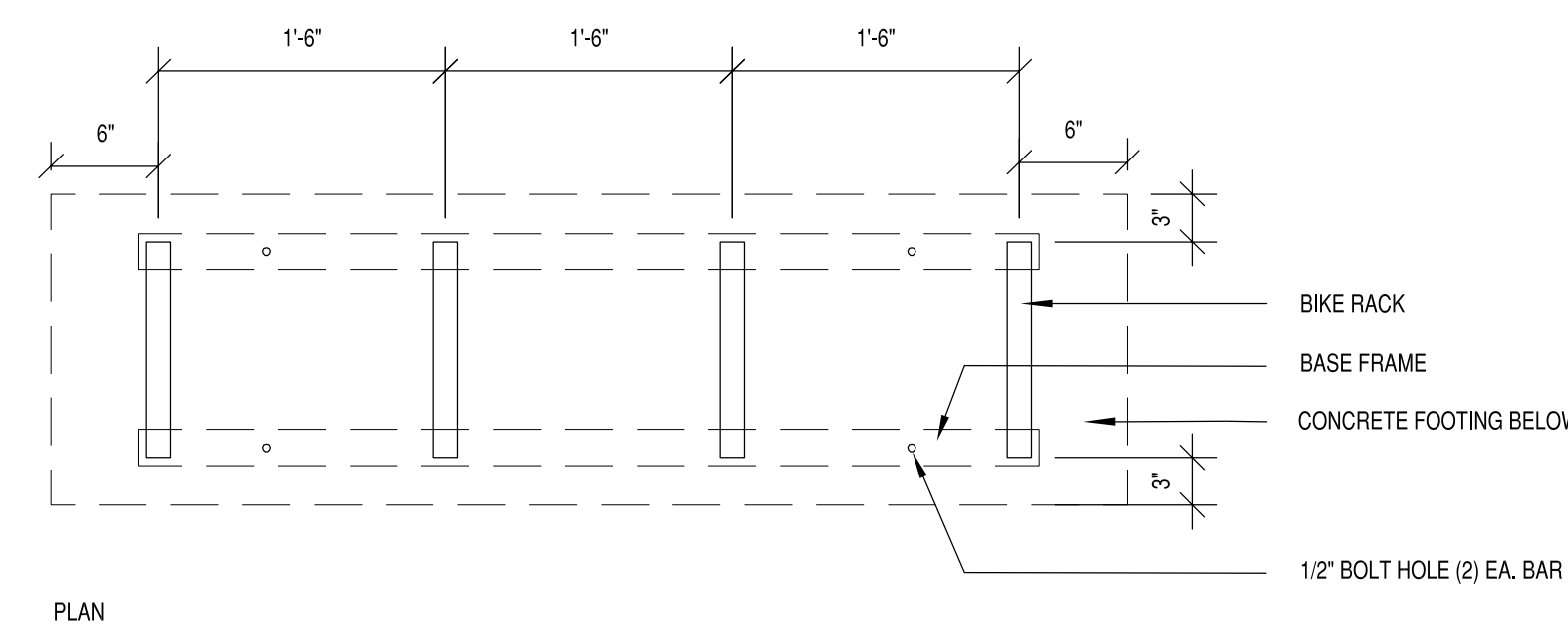
5 SERVICE ACCESS GATE
1/8" = 1'-0"



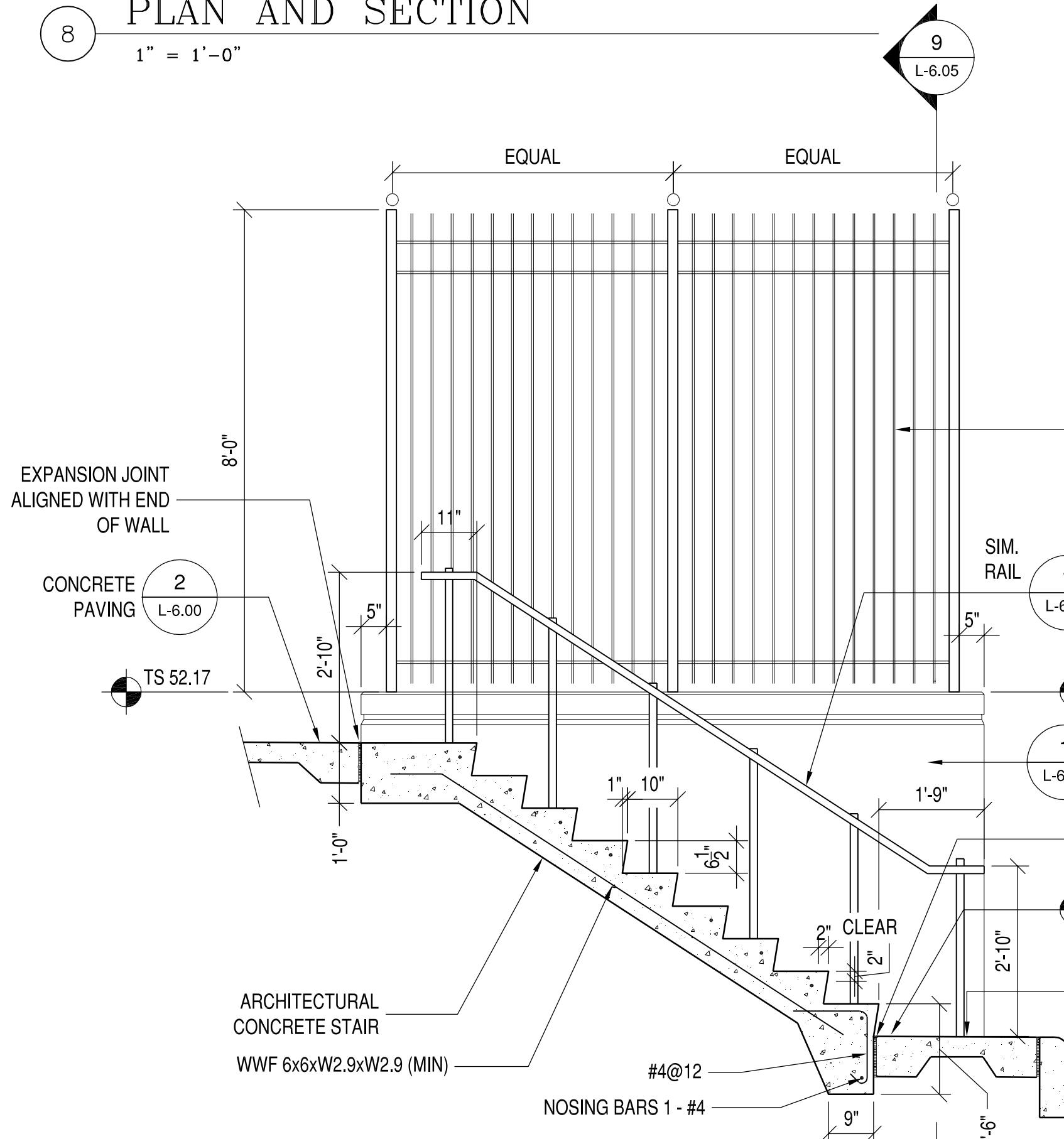
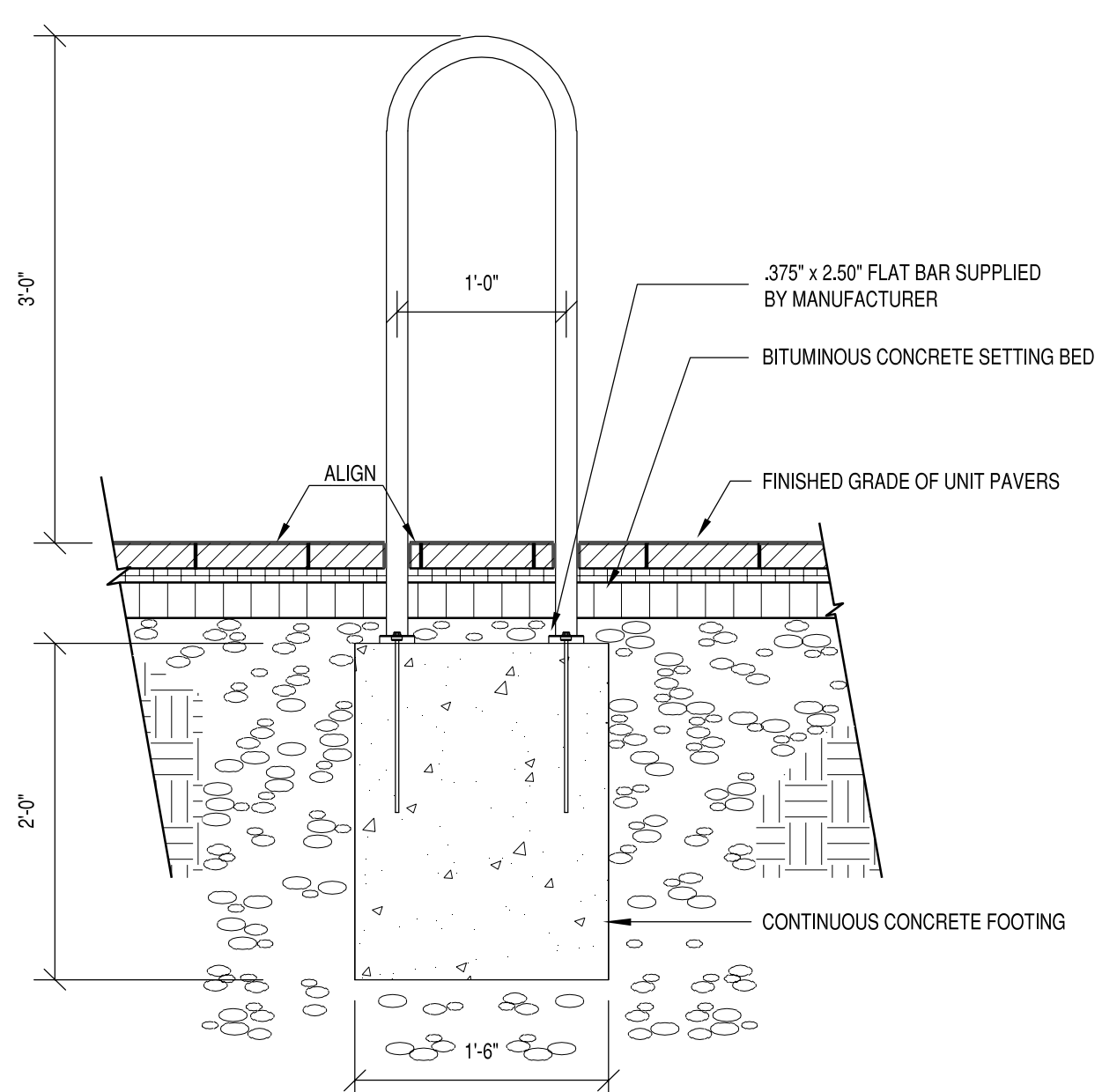
7 HY-SECURITY GATE POST FOOTING
1/2" = 1'-0"



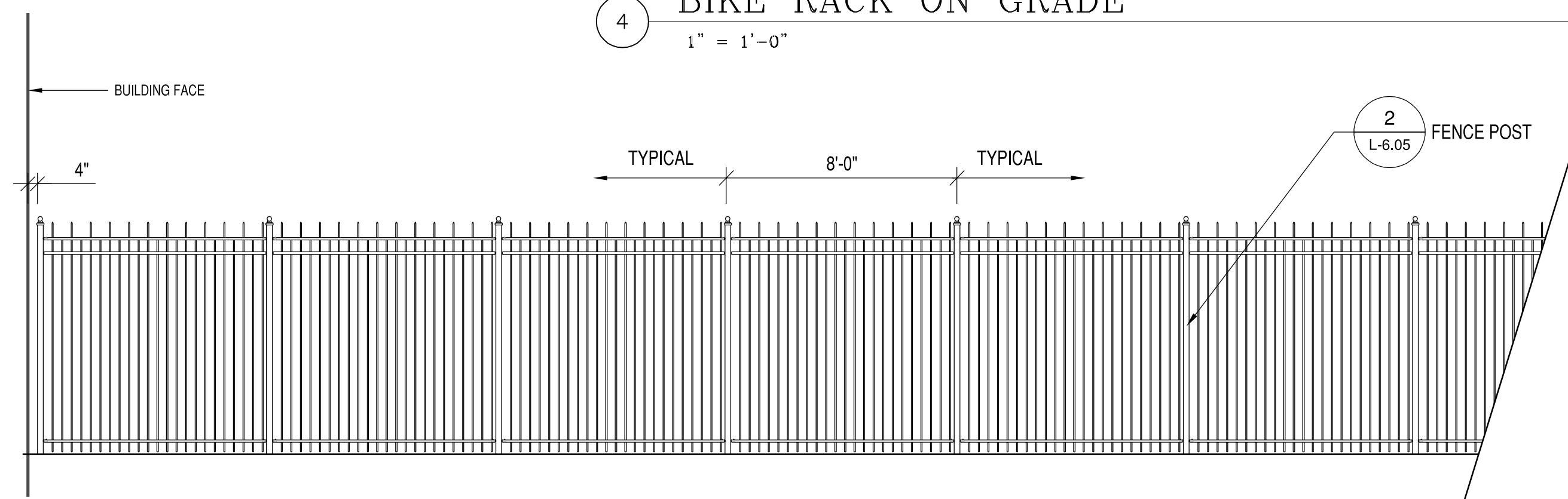
2 ORNAMENTAL STEEL FENCE
1/2" = 1'-0"



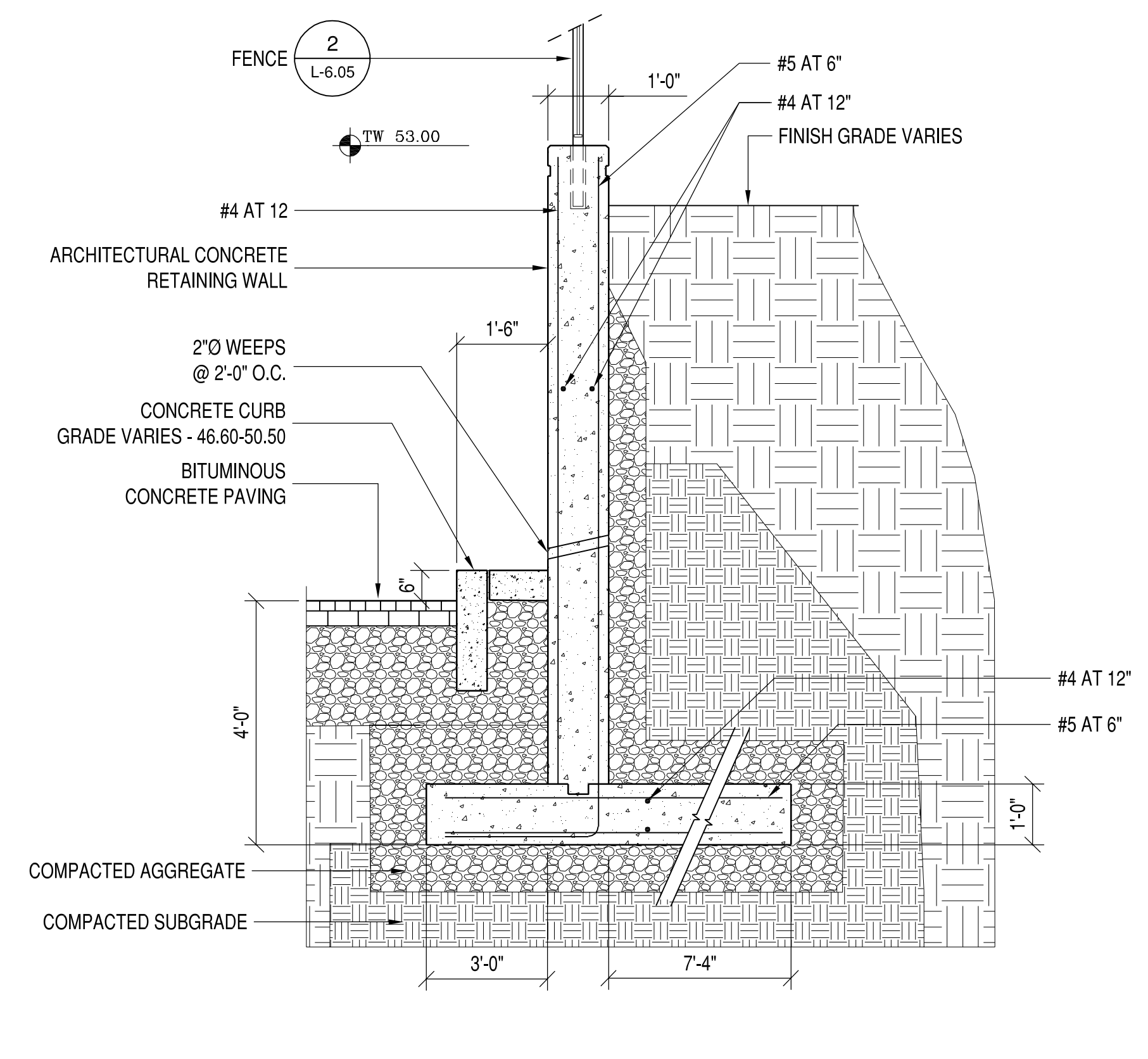
4 BIKE RACK ON GRADE
1" = 1'-0"



6 CONCRETE LOADING DOCK STAIR
1/2" = 1'-0"



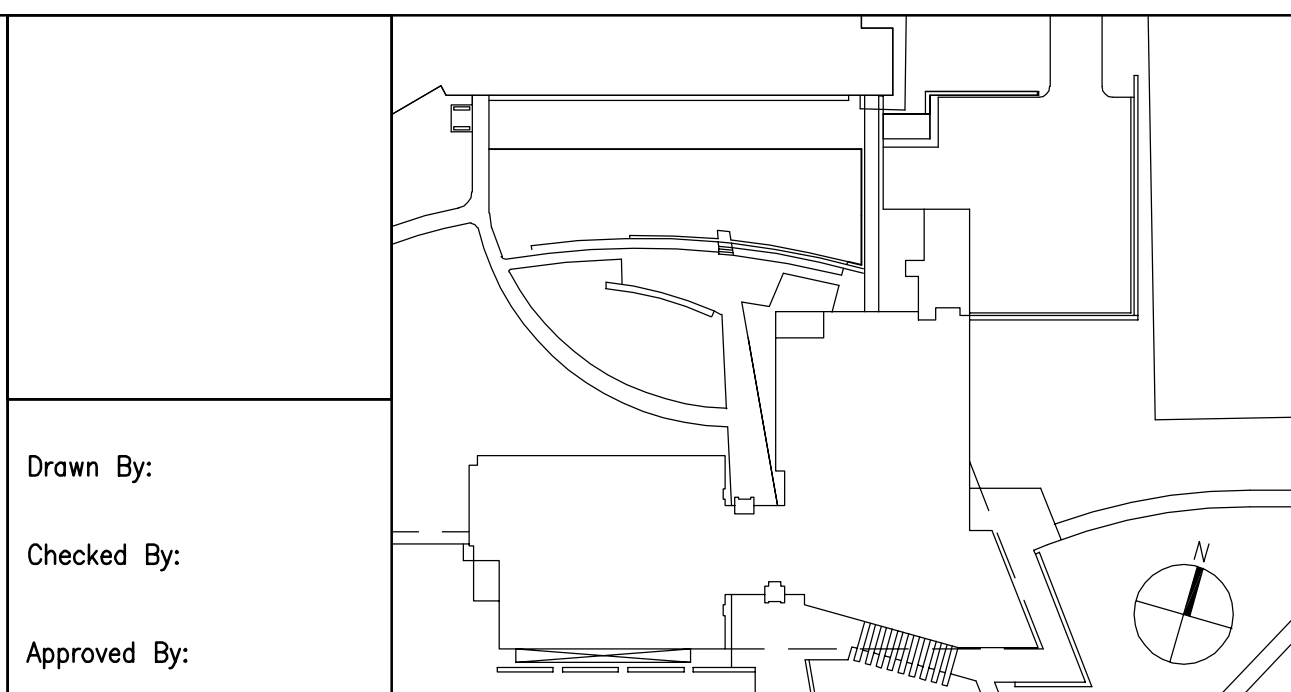
3 ORNAMENTAL STEEL FENCE AT LOADING DOCK - ELEVATION
1/4" = 1'-0"



1 LOADING DOCK RETAINING WALL
1/2" = 1'-0"


PLANNING
LANDSCAPE
PAYETTE
ARCHITECTURE
ASSOCIATES
INTERIORS
GRAPHICS

Architect:
Payette Associates Inc.
285 Summer St.
Boston, MA 02210
Tel: (617)-895-1000
Fax: (617)-895-1002
www.payette.com
Landscape Architect:
Strata Design
W/E/P/FP Engineers
Flack + Kurtz, Inc.
Structural Engineers
Weidinger Associates, Inc. (Cambridge, MA)
Civil Engineers
Weidinger Associates, Inc. (New York, NY)



Drawn By:
Checked By:
Approved By:

Number	Date	Description
3	09/23/05	BULLETIN #14
2	06/22/05	CONSTRUCTION SET
1	12/17/04	UPDATED CONSTRUCTION DOCUMENTS


Albert Einstein College of Medicine
of Yeshiva University
Michael F. Price Center for Genetic and Translational Medicine
and
Harold and Muriel Block Research Pavilion
1300 Morris Park Avenue, Bronx, New York 10461
(718) 430-2805 tel
(718) 430-8940 fax

SITE
DETAILS
Drawing Scale
AS SHOWN
Project Number
40711.00
Date Issued
10/29/04
L6.05
©COPYRIGHT 2004, PAYETTE ASSOCIATES INC