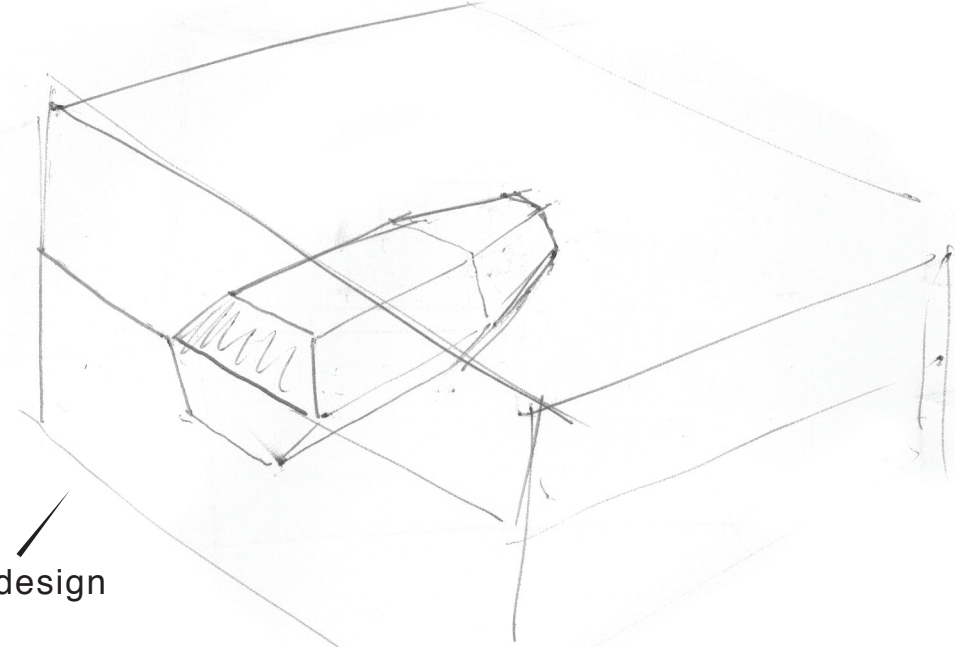
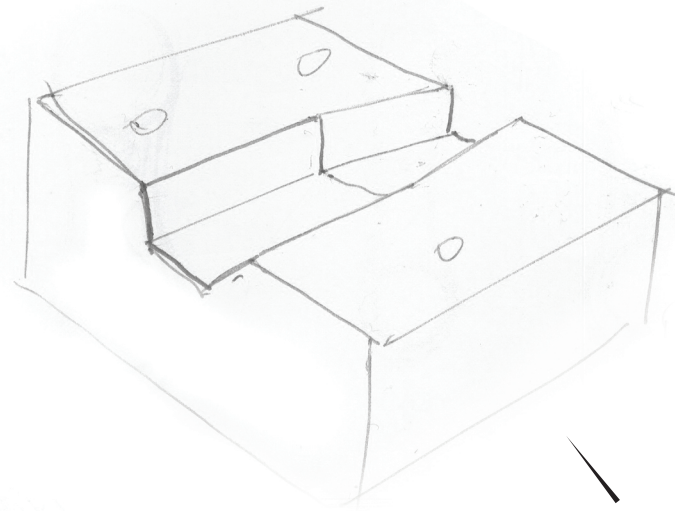
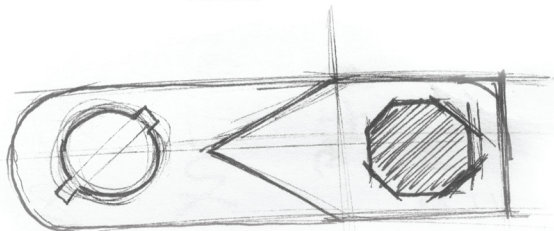
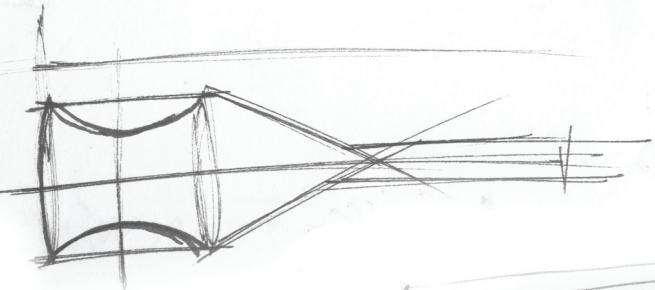
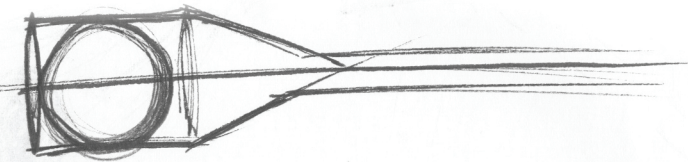
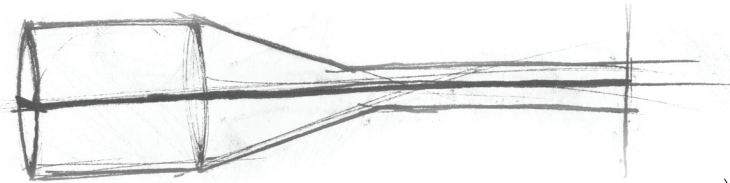
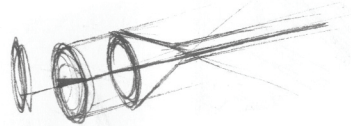
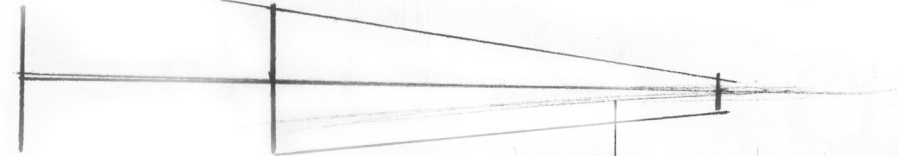


Multiple sizes?

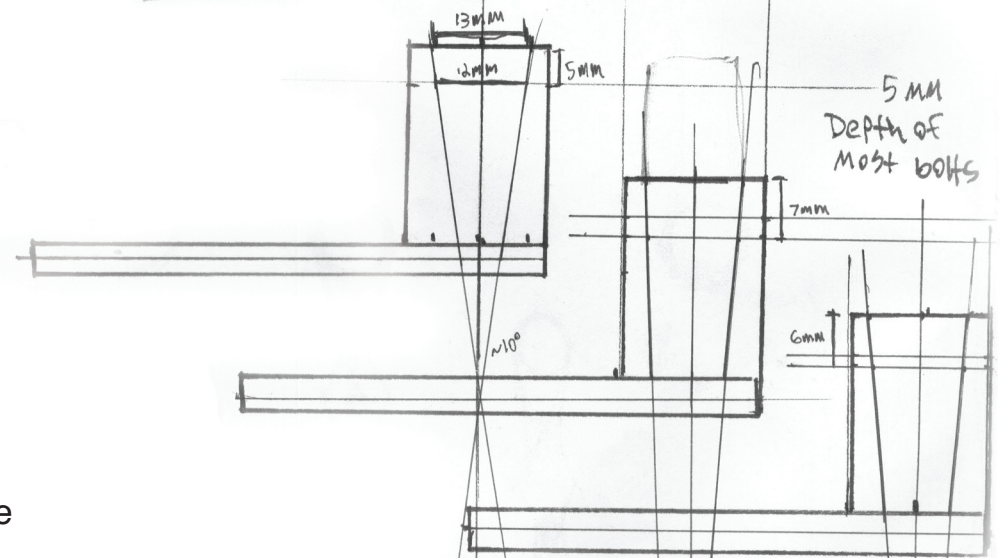


Core mold design

Part line iterations



Measurements of standard skate bolts



Necessitates core

