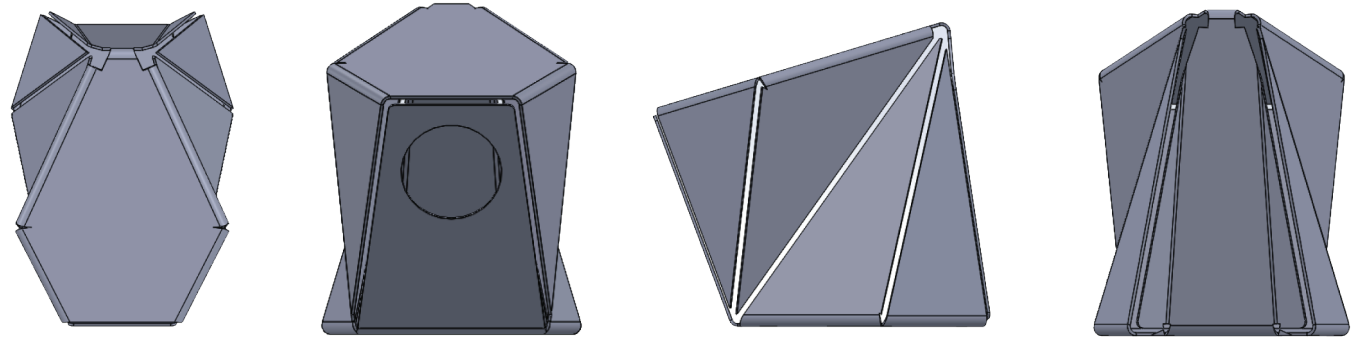
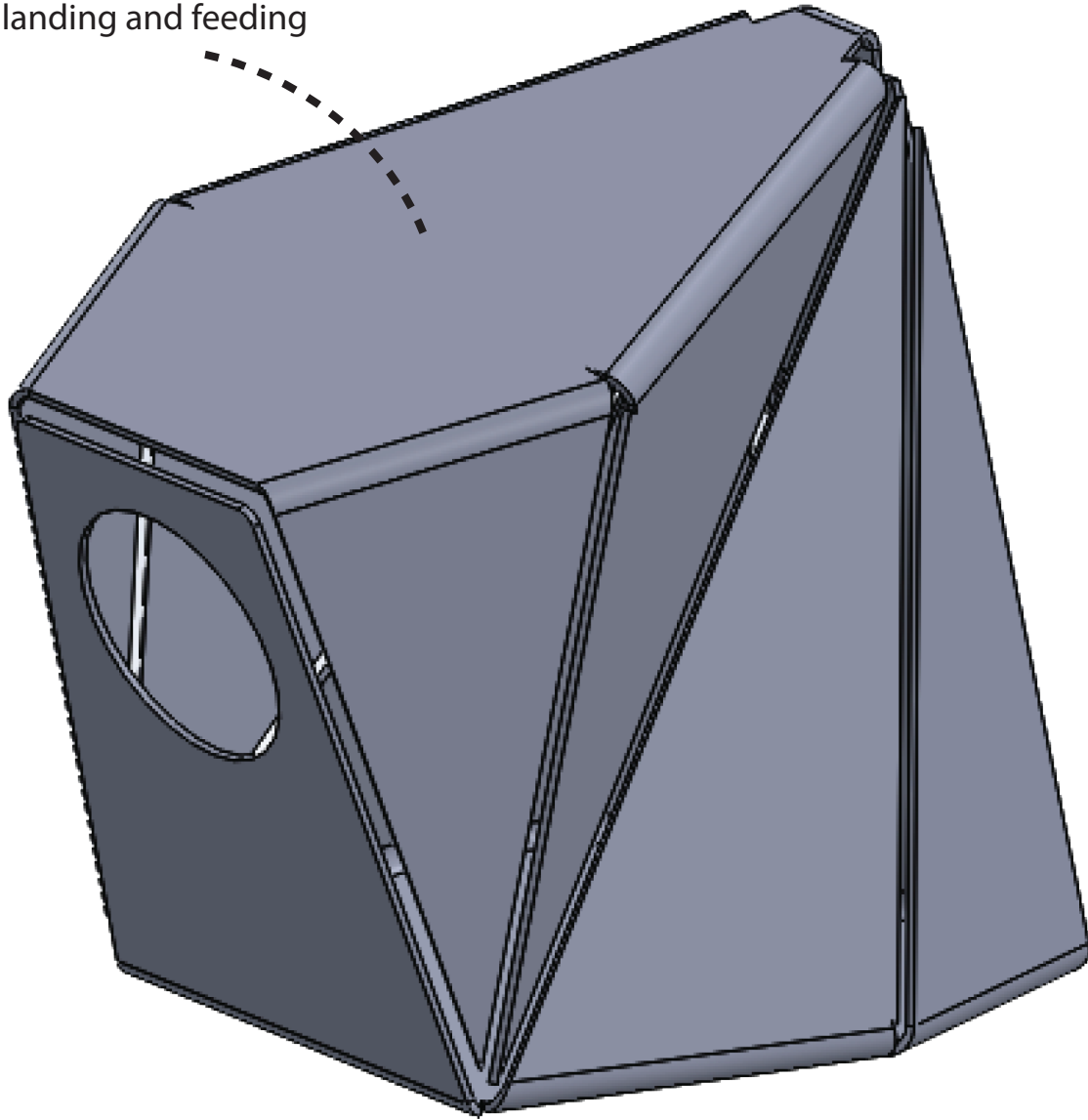


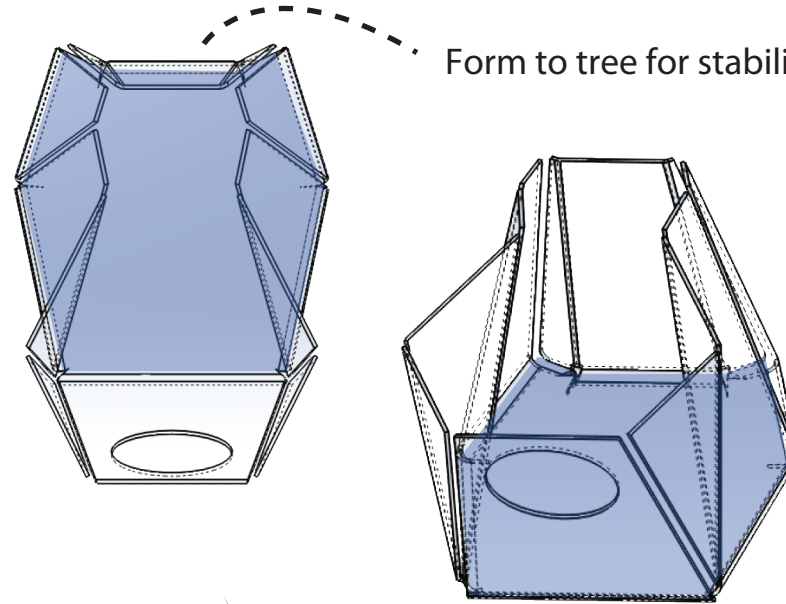
# 3D Modeling



Angled top platform for landing and feeding



Form to tree for stability



Enclosed corners for secure sense of shelter

