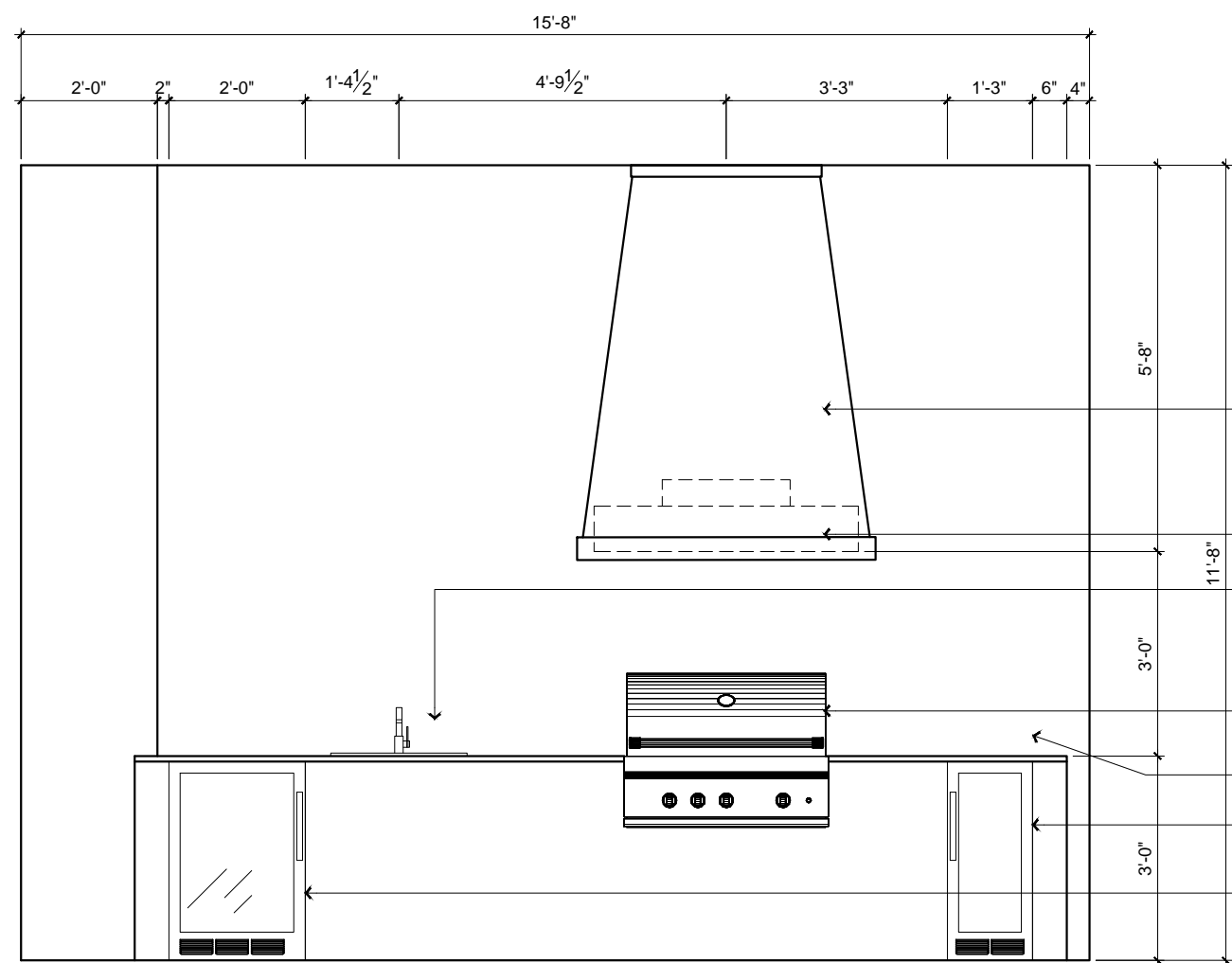


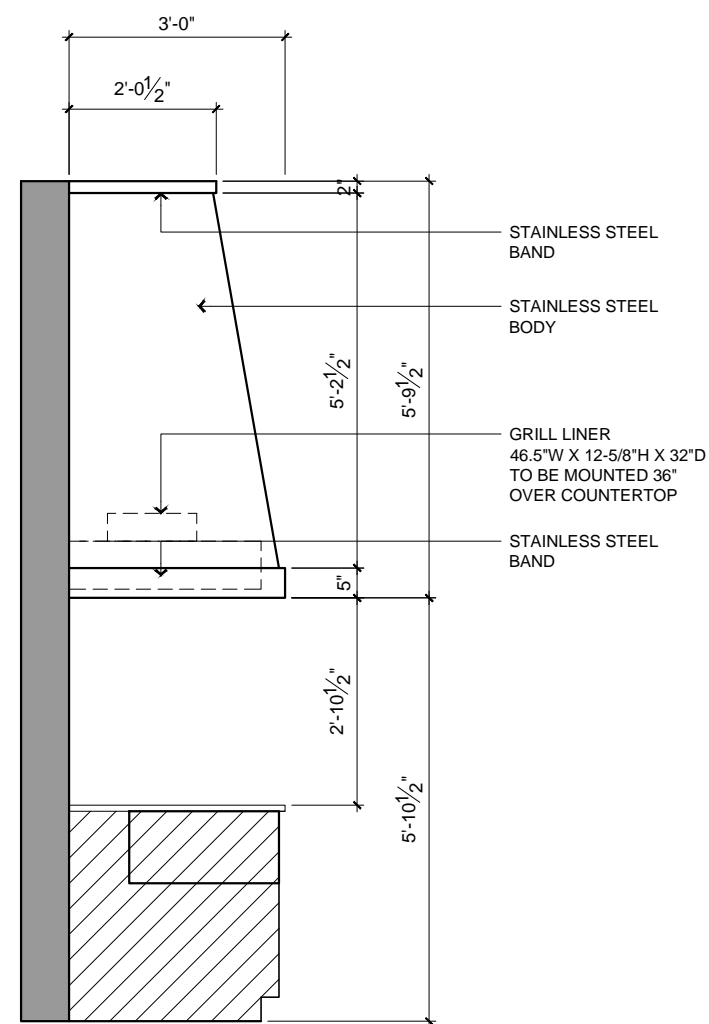
# SUMMER KITCHEN PLAN

SCALE: 3/8" = 1' - 0"



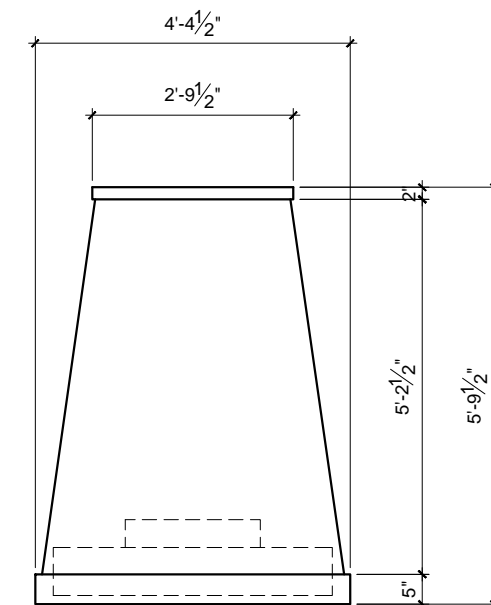
# SUMMER KITCHEN ELEVATION

SCALE: 3/8" = 1' - 0"



# SK - HOOD ELEVATION

SCALE: 3/8" = 1' - 0"



# SK - HOOD FRONT ELEVATION

SCALE: 3/8" = 1' - 0"

SUMMER KITCHEN DETAILS

Interior Design for:

**THE CARNES RESIDENCE**  
LOT 8 - LAKE NONA GOLF AND COUNTRY CLUB

Project Name, Address, City, State, Zip, Country, Date, Scale, Drawing No., and other project information.

REVISIONS:	DATE	MARK	DESCRIPTION
			1- CUSTOM HOOD DESIGN HOOD

SHEET NO.

CA4

DATE REV

Brianna M. Jones, ASID