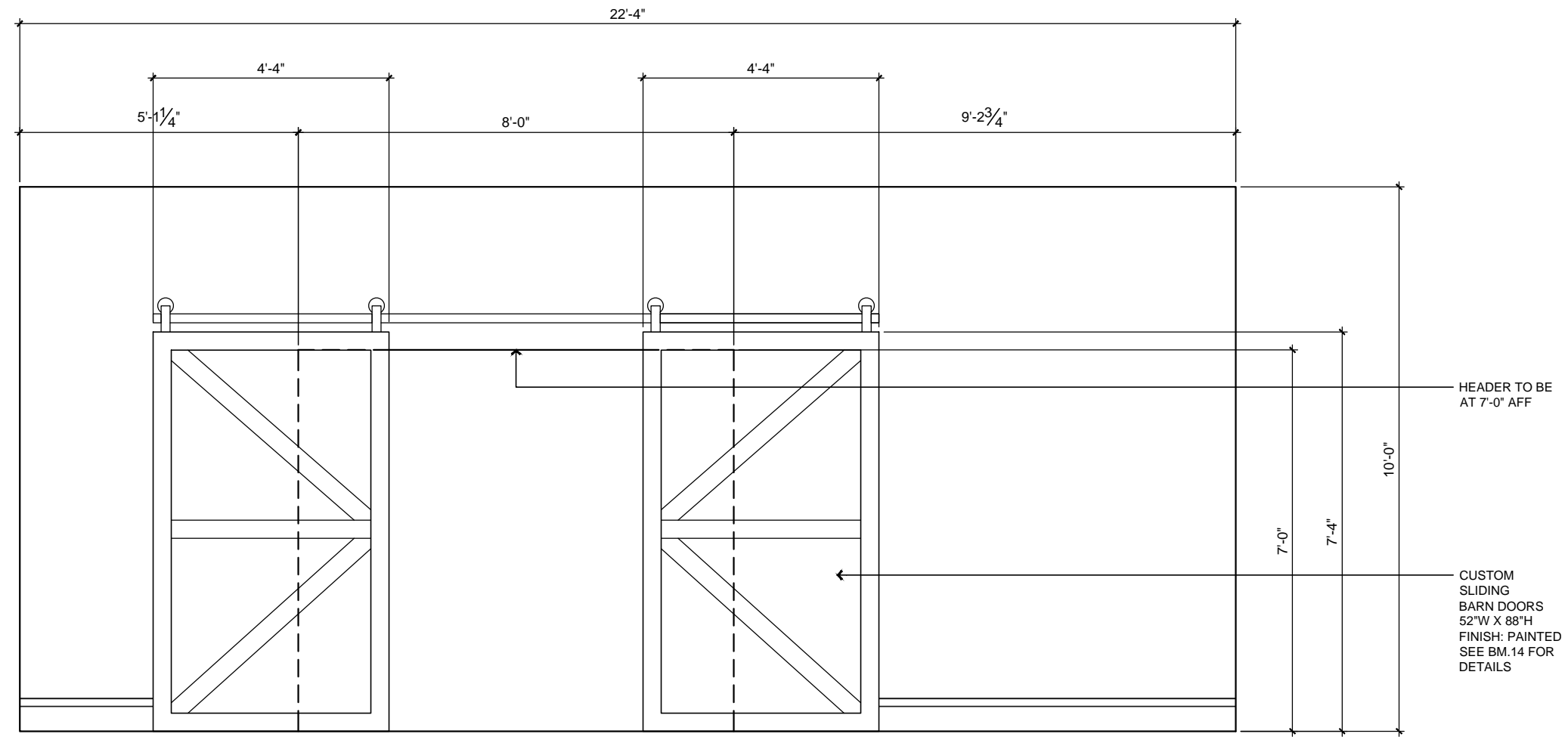


HAYDEN'S GAME ROOM PLAN

SCALE: 3/8" = 1' - 0"



BARN DOORS CONCEPT



BARN DOORS ELEVATION - HAYDEN'S GAME ROOM

SCALE: 3/8" = 1' - 0"

BRIANNA MICHELLE INTERIOR DESIGN, LLC DRAWINGS AND SPECIFICATIONS REPRESENT INFORMATION PERTAINING TO INTERIOR FINISHES AND DESIGN INTENT ONLY. DIMENSIONS ARE REPRESENTATIVE OF FINISH MATERIALS AND CONDITIONS. CONTRACTOR AND/OR SUBCONTRACTORS ARE RESPONSIBLE FOR VERIFICATION OF ALL FIELD CONSTRUCTION.

PROJECT #: 0050
 DATE: 8.18.14
 SCALE: AS NOTED
 DRAWN BY: BMJ

HAYDEN'S BARN DOORS
 Interior Design for:
THE CARNES RESIDENCE
 LOT 8 - LAKE NONA GOLF AND COUNTRY CLUB

Designer hereby expressly reserves its copyright and other property rights in these plans. These plans and drawings are not to be reproduced, changed or copied in any form or manner whatsoever without the prior written consent of the Designer. The Designer shall not be responsible for any errors or omissions in these drawings. All work shall conform to the applicable building codes and regulations. The Contractor shall verify and be responsible for all dimensions and conditions on the job and this office shall not be held responsible for any variation from the dimension and conditions shown by these drawings.

REVISIONS	DATE	BY	DESCRIPTION

SHEET NO.

CA5

DATE REV.
 Brianna M. Jones, ASID