

# The Carnes Residence

Lot 8 - Lake Nona Golf and Country Club  
Orange County, FL

## Exhibit B.4 - Flooring Plans and Tile Elevations

Sheet Number	Sheet Title
2.1	FIRST FLOOR FLOORING PLAN
2.2	SECOND FLOOR FLOORING PLAN
4.1	KITCHEN BACKSPLASH, MASTER SHOWER & VANITY, POWDER BATH #1, GUEST BATH #1 TILE DETAILS
4.2	HAYDEN'S BATH, POWDER BATH #2, GUEST BATH #2, GUEST BATH #3 TILE DETAILS



1215 North Orange Avenue  
Orlando FL 32804  
407-756-9056  
www.briannamichelledesign.com  
Brianna M. Jones  
Fla. ID5186



BRIANNA MICHELLE  
INTERIOR DESIGN  
1215 North Orange Avenue  
Orlando FL 32804  
407-756-9056  
www.briannamichelledesign.com  
Brianna M. Jones  
Fla. ID5186

BRIANNA MICHELLE INTERIOR DESIGN, LLC DRAWINGS AND SPECIFICATIONS REPRESENT INFORMATION PERTAINING TO INTERIOR FINISHES AND DESIGN INTENT ONLY. DIMENSIONS ARE REPRESENTATIVE OF FINISHES MATERIALS AND CONDITIONS. CONTRACTORS AND/OR SUBCONTRACTORS ARE RESPONSIBLE FOR VERIFICATION OF ALL FIELD CONSTRUCTION.

PROJECT #: 0050  
DATE: 12.12.14  
SCALE: AS NOTED  
DRAWN BY: BMJ

EXHIBIT B.4 FLOORING PLANS & TILE ELEVATIONS  
Interior Design for:  
THE CARNES RESIDENCE  
LOT 8 - LAKE NONA GOLF AND COUNTRY CLUB

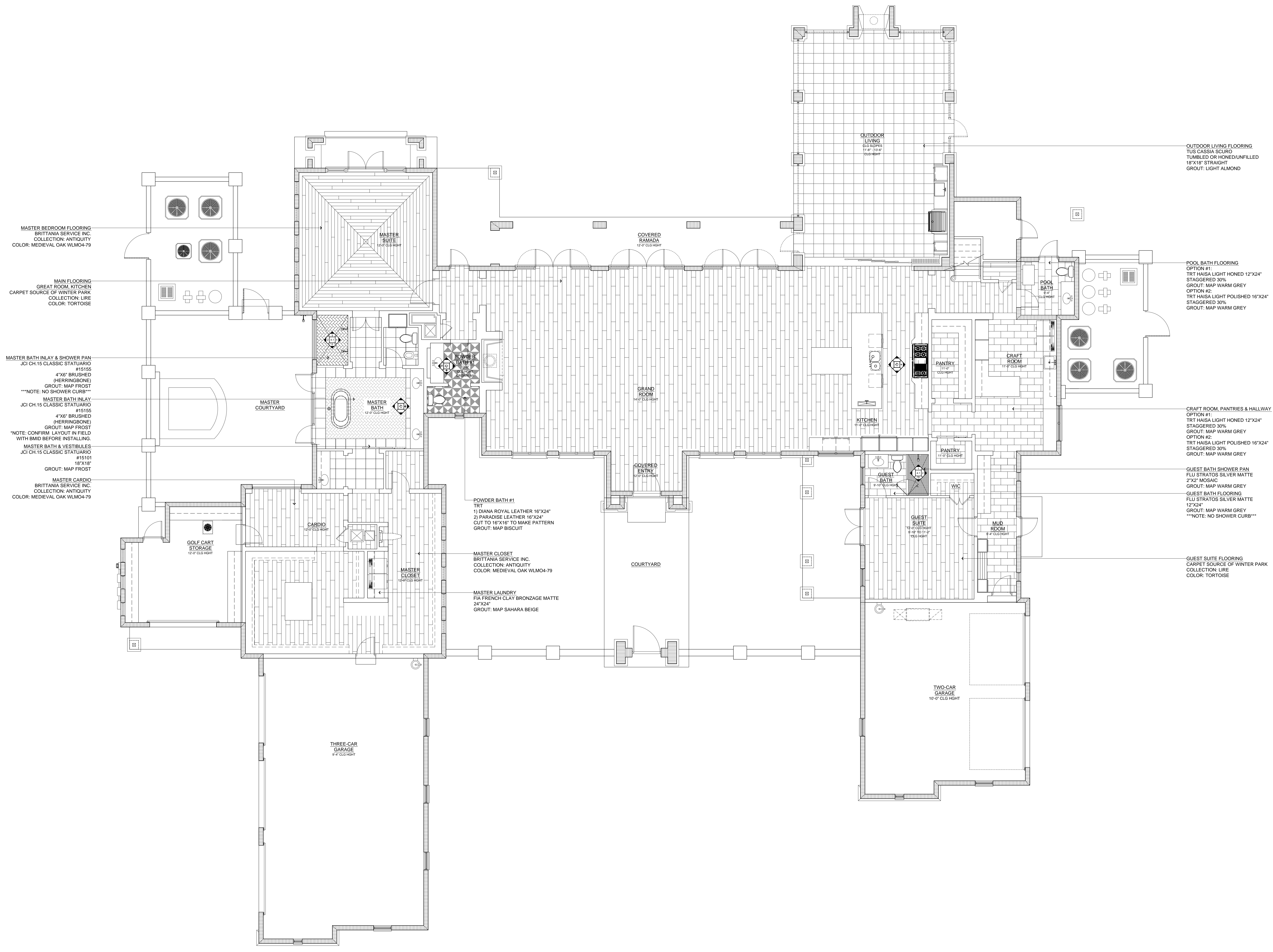
REVISIONS:	DATE	MARK	DESCRIPTION

SHEET NO.

2.0

DATE REV.

Brianna M. Jones, ASID



MASTER BEDROOM FLOORING  
BRITANNIA SERVICE INC.  
COLLECTION: ANTIQUITY  
COLOR: MEDIEVAL OAK WLM04-79

MAIN FLOORING  
GREAT ROOM, KITCHEN  
CARPET SOURCE OF WINTER PARK  
COLLECTION: LIRE  
COLOR: TORTOISE

MASTER BATH INLAY & SHOWER PAN  
JCI CH.15 CLASSIC STATUARIO  
#15155  
4"x6" BRUSHED  
(HERRINGBONE)  
GROUT: MAP FROST  
\*\*\*NOTE: NO SHOWER CURB\*\*\*

MASTER BATH INLAY  
JCI CH.15 CLASSIC STATUARIO  
#15155  
4"x6" BRUSHED  
(HERRINGBONE)  
GROUT: MAP FROST  
\*NOTE: CONFIRM LAYOUT IN FIELD  
WITH BMID BEFORE INSTALLING.

MASTER BATH & VESTIBULES  
JCI CH.15 CLASSIC STATUARIO  
#15101  
16"X18"

GROUT: MAP FROST

MASTER CARDIO  
BRITANNIA SERVICE INC.  
COLLECTION: ANTIQUITY  
COLOR: MEDIEVAL OAK WLM04-79

GOLF CART STORAGE  
12'-0" CLG HGT

CARDIO  
12'-0" CLG HGT

THREE-CAR GARAGE  
9'-4" CLG HGT

MASTER CLOSET  
12'-0" CLG HGT

POWDER BATH #1  
TRT  
1) DIANA ROYAL LEATHER 16"X24"  
2) PARADISE LEATHER 16"X24"  
CUT TO 16"X16" TO MAKE PATTERN  
GROUT: MAP BISCUIT

MASTER CLOSET  
BRITANNIA SERVICE INC.  
COLLECTION: ANTIQUITY  
COLOR: MEDIEVAL OAK WLM04-79

MASTER LAUNDRY  
FIA FRENCH CLAY BRONZAGE MATTE  
24"X24"  
GROUT: MAP SAHARA BEIGE

COURTYARD

COVERED ENTRY  
10'-0" CLG HGT

GRAND ROOM  
14'-0" CLG HGT

COVERED RAMADA  
12'-0" CLG HGT

OUTDOOR LIVING  
6.5" RECES  
11'-8" X 13'-4"  
CLG HGT

OUTDOOR LIVING FLOORING  
TUS CASSIA SCURO  
TUMBLER OR HONED UNFILLED  
18"X18" STRAIGHT  
GROUT: LIGHT ALMOND

POOL BATH FLOORING  
OPTION #1:  
TRT HAISA LIGHT HONED 12"X24"  
STAGGERED 30%  
GROUT: MAP WARM GREY  
OPTION #2:  
TRT HAISA LIGHT POLISHED 16"X24"  
STAGGERED 30%  
GROUT: MAP WARM GREY

CRAFT ROOM, PANTRIES & HALLWAY  
OPTION #1:  
TRT HAISA LIGHT HONED 12"X24"  
STAGGERED 30%  
GROUT: MAP WARM GREY  
OPTION #2:  
TRT HAISA LIGHT POLISHED 16"X24"  
STAGGERED 30%  
GROUT: MAP WARM GREY

GUEST BATH SHOWER PAN  
FLU STRATOS SILVER MATTE  
2"X2" MOSAIC  
GROUT: MAP WARM GREY  
GUEST BATH FLOORING  
FLU STRATOS SILVER MATTE  
12"X24"  
GROUT: MAP WARM GREY  
\*\*\*NOTE: NO SHOWER CURB\*\*\*

GUEST SUITE FLOORING  
CARPET SOURCE OF WINTER PARK  
COLLECTION: LIRE  
COLOR: TORTOISE

TWO-CAR GARAGE  
10'-0" CLG HGT

BRIANNA MICHELLE INTERIOR DESIGN, LLC DRAWINGS AND SPECIFICATIONS REPRESENT INFORMATION PERTAINING TO INTERIOR FINISHES AND DESIGN INTENT ONLY. DIMENSIONS ARE REPRESENTATIVE OF FINISHES MATERIALS AND CONDITIONS. CONTRACTORS AND/OR SUBCONTRACTORS ARE RESPONSIBLE FOR VERIFICATION OF ALL FIELD CONSTRUCTION.

PROJECT # 0050  
DATE 12.12.14  
SCALE AS NOTED  
DRAWN BY: BMJ

PROJECT NAME  
Interior Design for:  
**THE CARNES RESIDENCE**  
LOT 8 - LAKE NONA GOLF AND COUNTRY CLUB

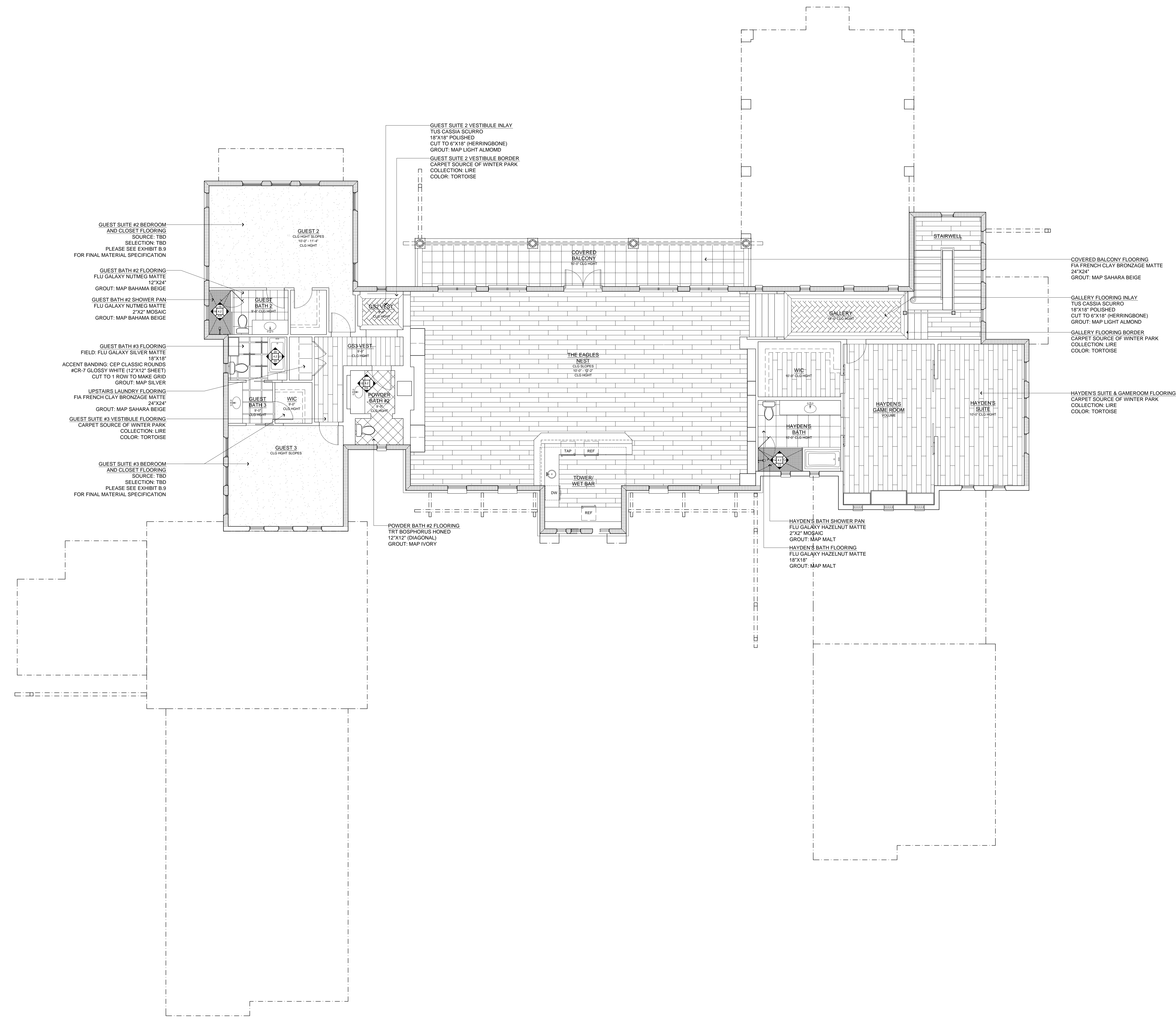
REVISIONS:	DATE	MARK	DESCRIPTION

SHEET NO.

2.1

DATE REV. Brianna M. Jones, ASID

FIRST FLOOR FLOORING PLAN  
SCALE: 3/16" = 1' - 0"



BRIANNA MICHELLE INTERIOR DESIGN, LLC DRAWINGS AND SPECIFICATIONS REPRESENT INFORMATION PERTAINING TO INTERIOR FINISHES AND DESIGN INTENT ONLY. DIMENSIONS ARE REPRESENTATIVE OF FINISHES MATERIALS AND CONDITIONS. CONTRACTORS AND/OR SUBCONTRACTORS ARE RESPONSIBLE FOR VERIFICATION OF ALL FIELD CONSTRUCTION.

PROJECT #: 0050  
DATE: 12.12.14  
SCALE: AS NOTED  
DRAWN BY: BMJ

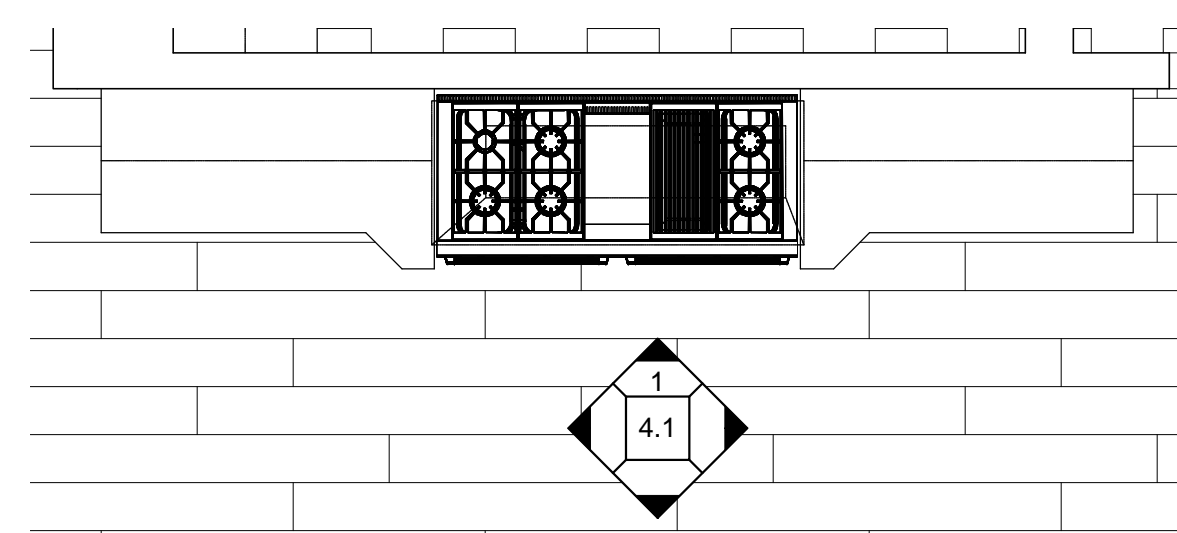
Interior Design for:  
**THE CARNES RESIDENCE**  
LOT 8 - LAKE NONA GOLF AND COUNTRY CLUB

**SECOND FLOOR FLOORING PLAN**  
SCALE: 3/16" = 1' - 0"

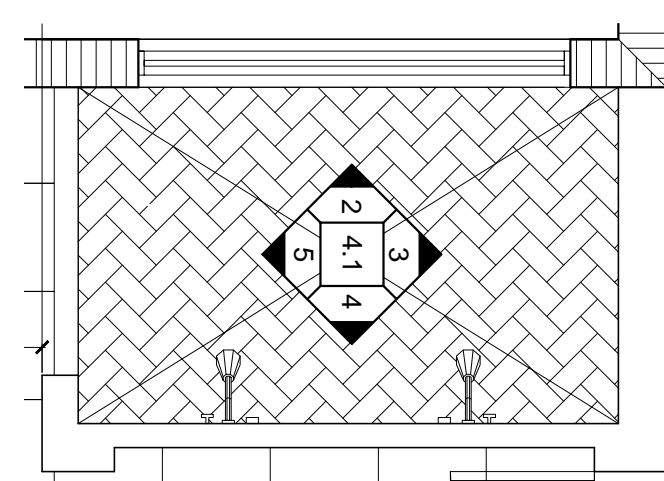
REVISIONS:	DATE	MARK	DESCRIPTION

SHEET NO.

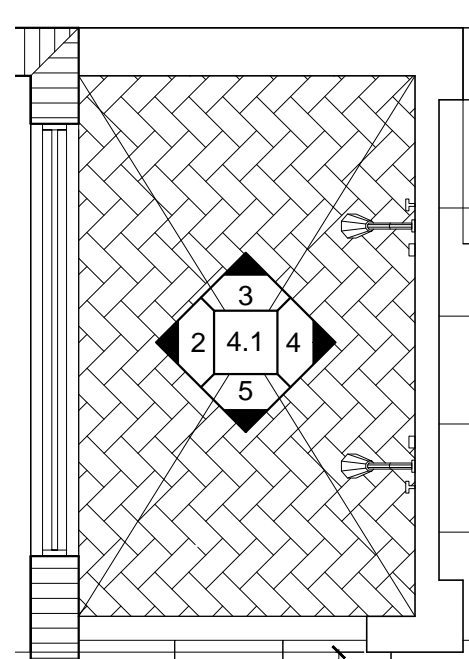
**2.2**



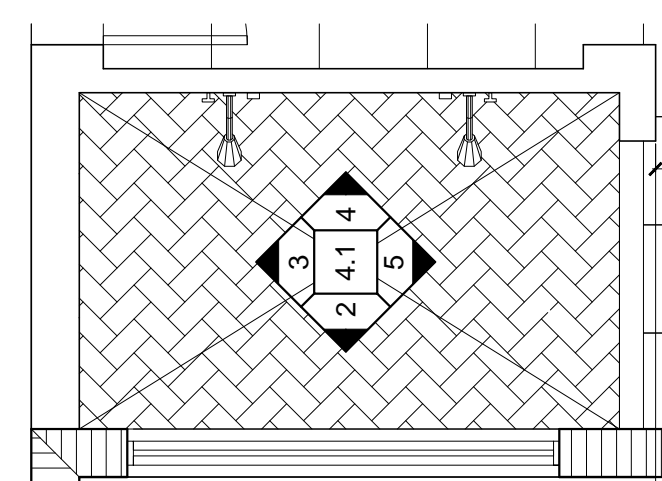
**KITCHEN PLAN**  
SCALE: 3/8" = 1'-0"



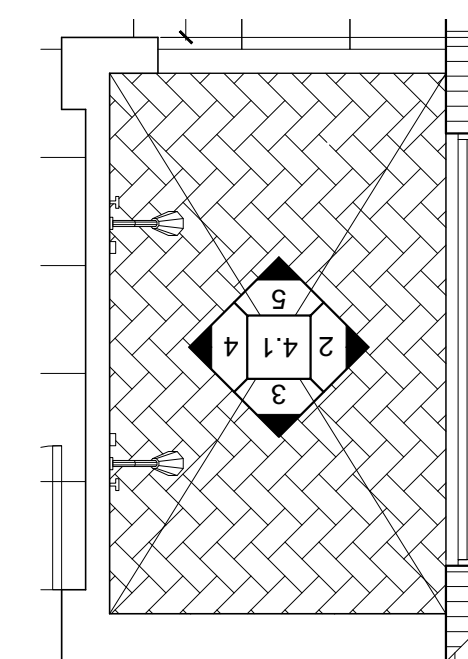
**MASTER SHOWER PLAN**  
SCALE: 3/8" = 1'-0"



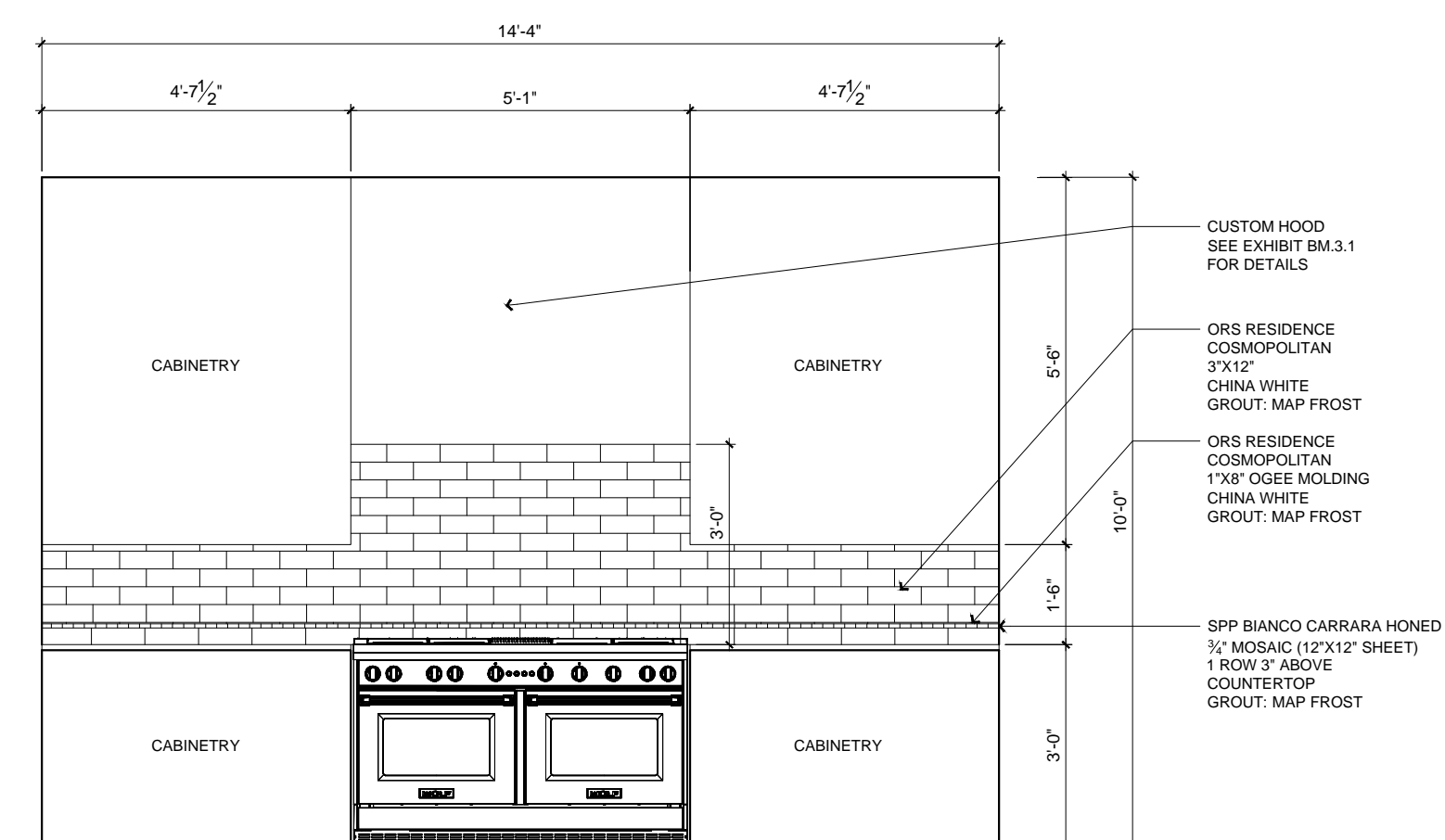
**MASTER SHOWER PLAN**  
SCALE: 3/8" = 1'-0"



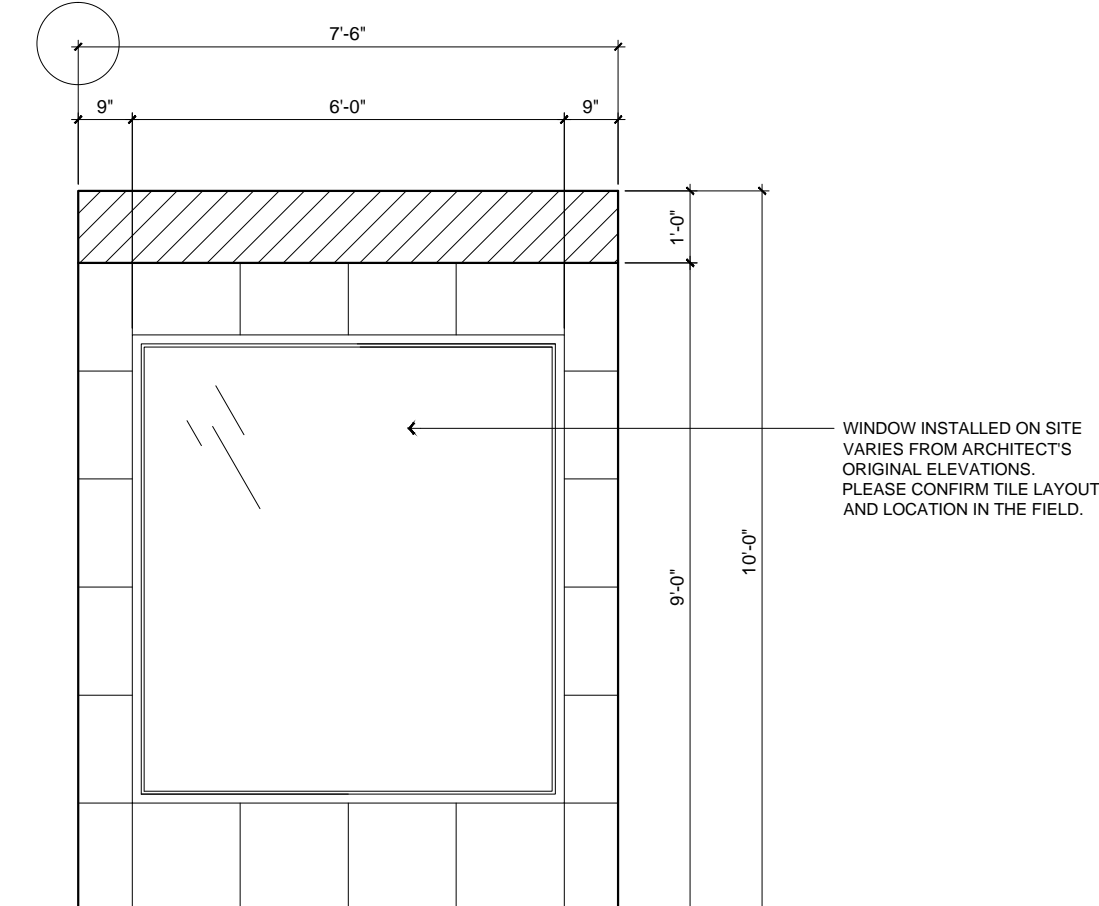
**MASTER SHOWER PLAN**  
SCALE: 3/8" = 1'-0"



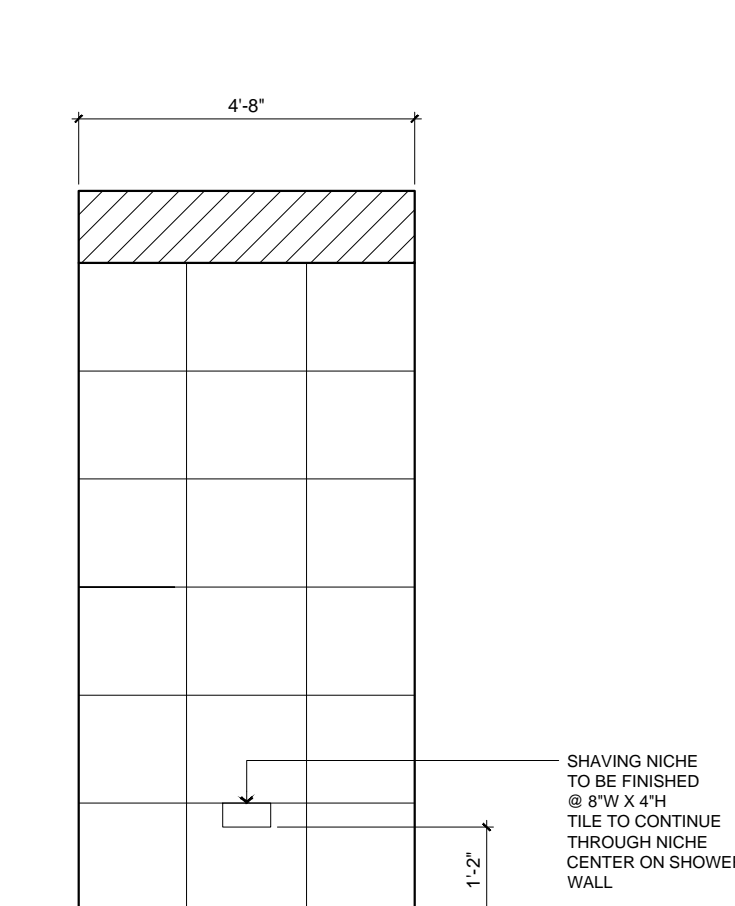
**MASTER SHOWER PLAN**  
SCALE: 3/8" = 1'-0"



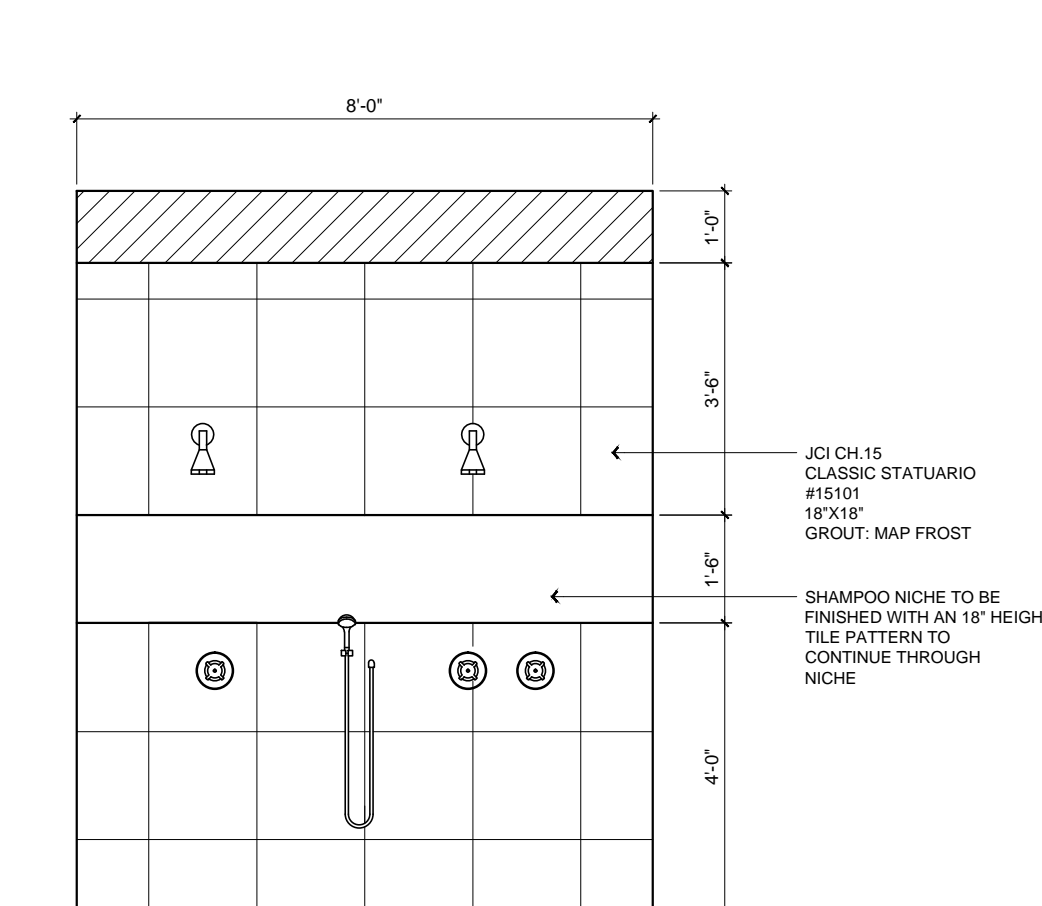
**KITCHEN BACKSPLASH TILE DETAILS**  
SCALE: 3/8" = 1'-0"  
COUNTERTOP SLAB SUPPLIED BY OTHERS. CABINETS DRAWN ARE FOR TILE INTENT ONLY. PLEASE REFERENCE EXHIBIT B.10 FOR EXACT CABINET DRAWINGS AND DETAILS.



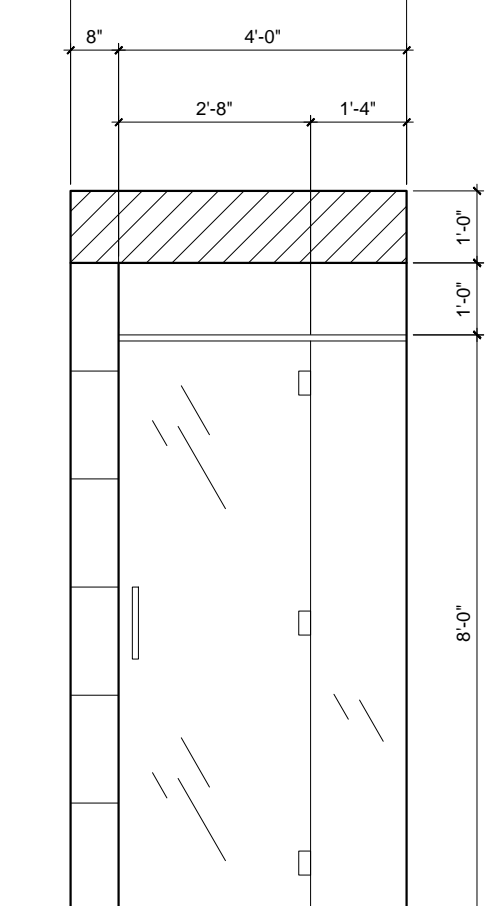
**MASTER SHOWER TILE DETAILS**  
SCALE: 3/8" = 1'-0"



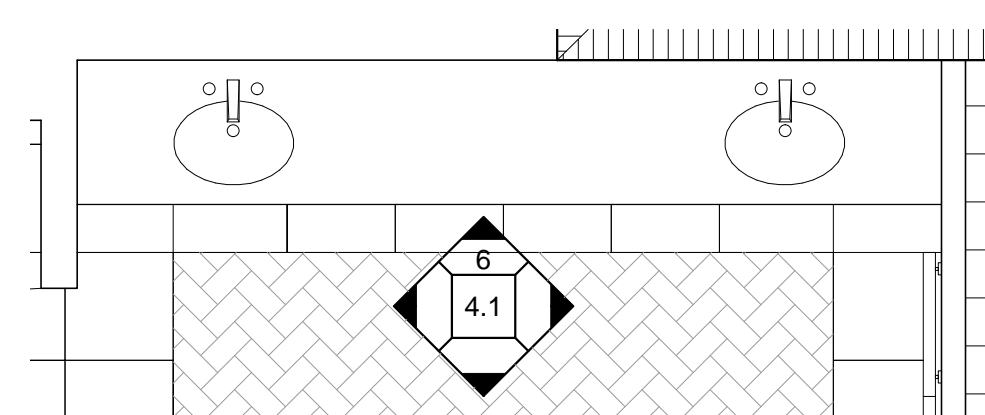
**MASTER SHOWER TILE ELEVATION**  
SCALE: 3/8" = 1'-0"



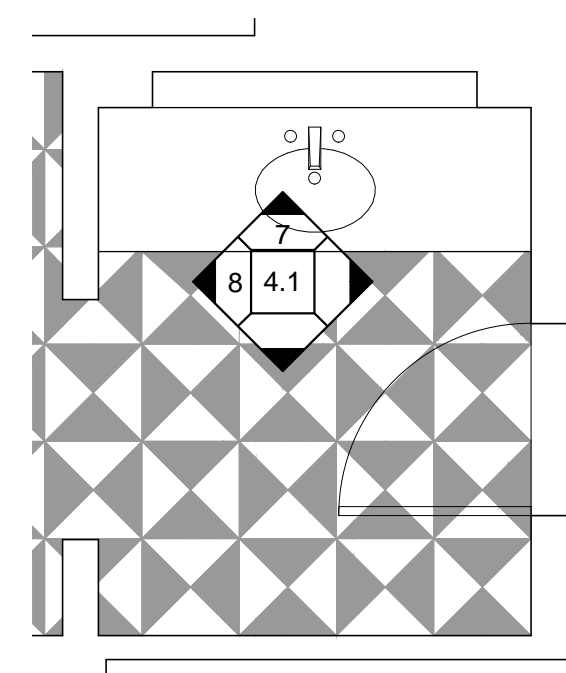
**MASTER SHOWER TILE ELEVATION**  
SCALE: 3/8" = 1'-0"  
\*\*NOTE: SHOWERHEADS TO LINE UP WITH CENTERLINE OF TILE OR GROUT, AS DRAWN.\*\*



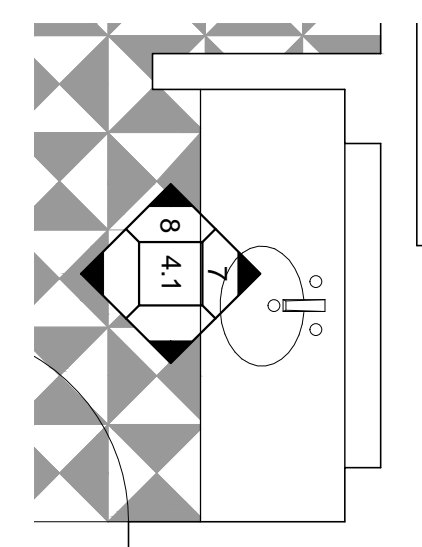
**MASTER SHOWER TILE ELEVATION**  
SCALE: 3/8" = 1'-0"



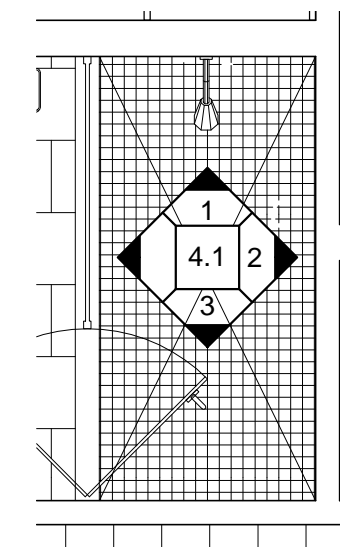
**MASTER BATH VANITY PLAN**  
SCALE: 3/8" = 1'-0"



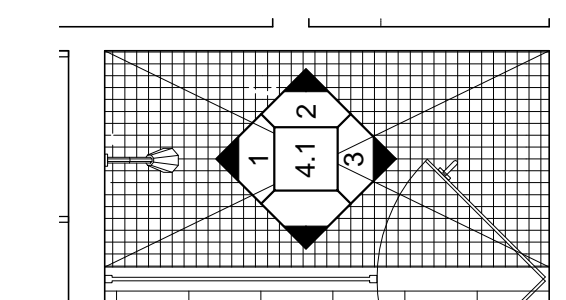
**POWDER BATH #1 PLAN**  
SCALE: 3/8" = 1'-0"



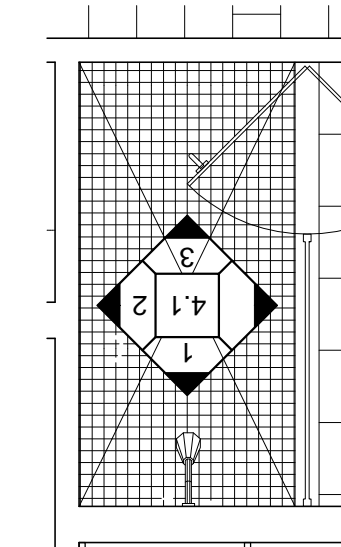
**POWDER BATH #1 PLAN**  
SCALE: 3/8" = 1'-0"



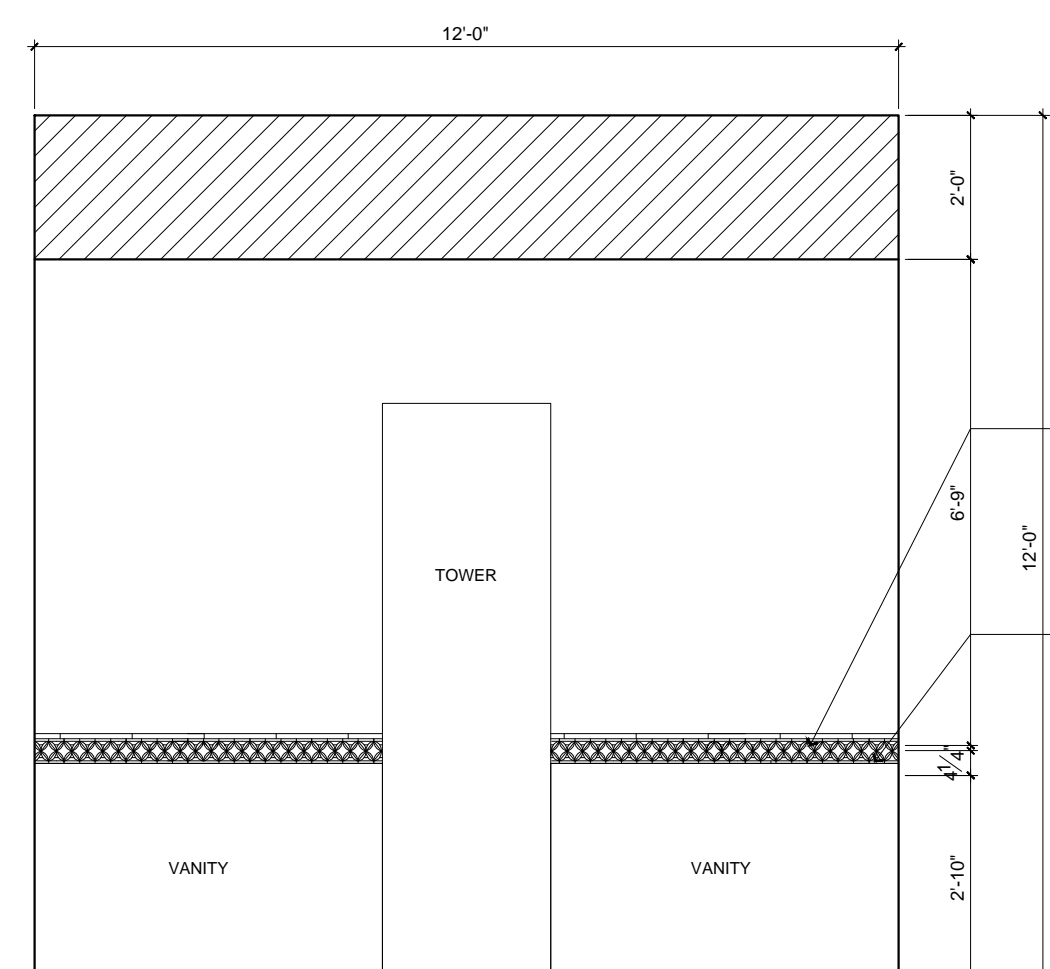
**GUEST BATH #1 PLAN**  
SCALE: 3/8" = 1'-0"



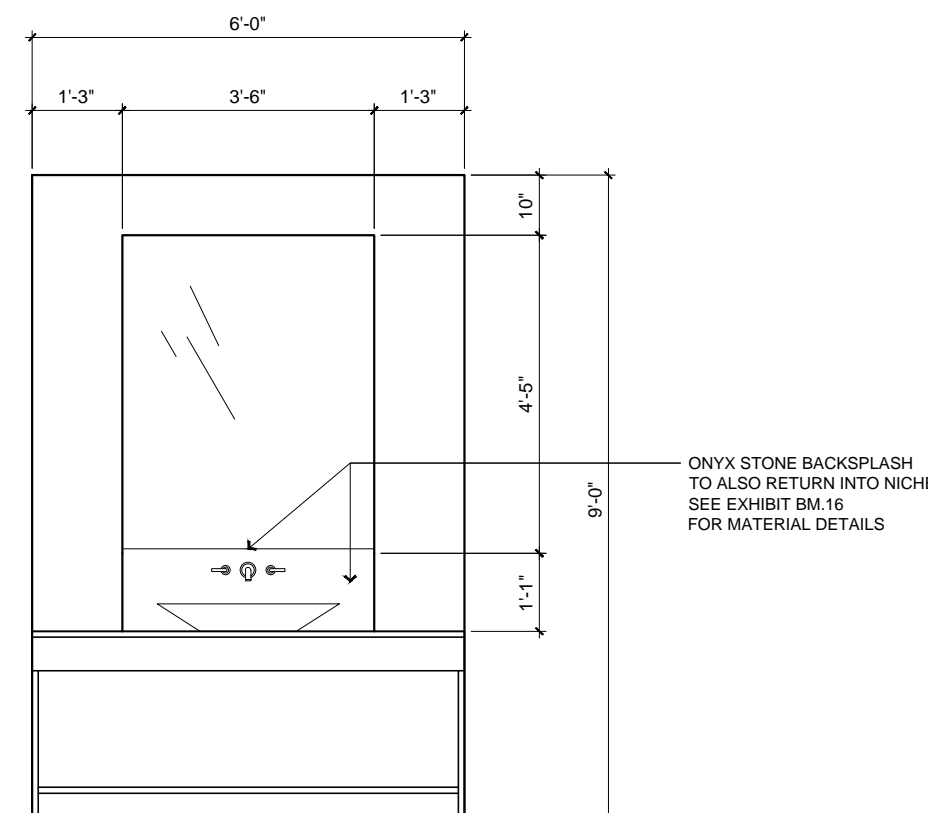
**GUEST BATH #1 PLAN**  
SCALE: 3/8" = 1'-0"



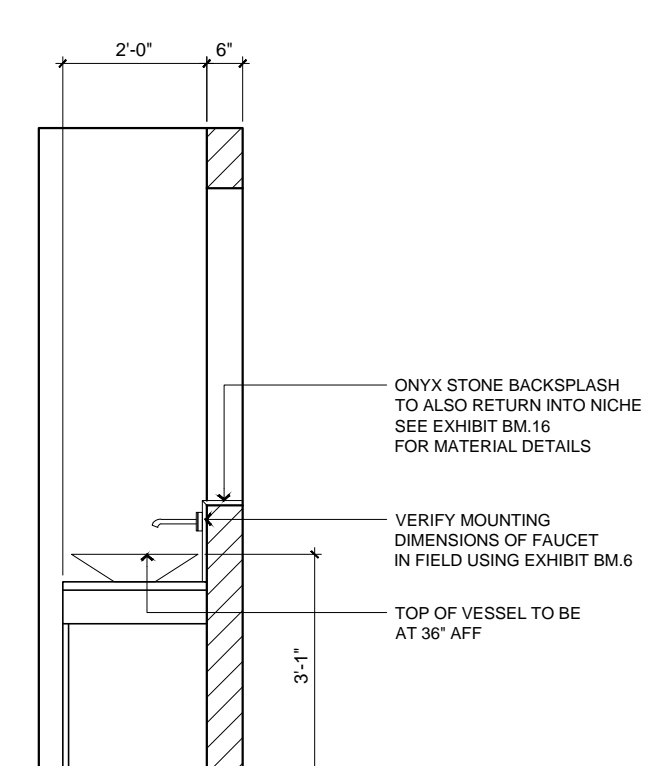
**GUEST BATH #1 PLAN**  
SCALE: 3/8" = 1'-0"



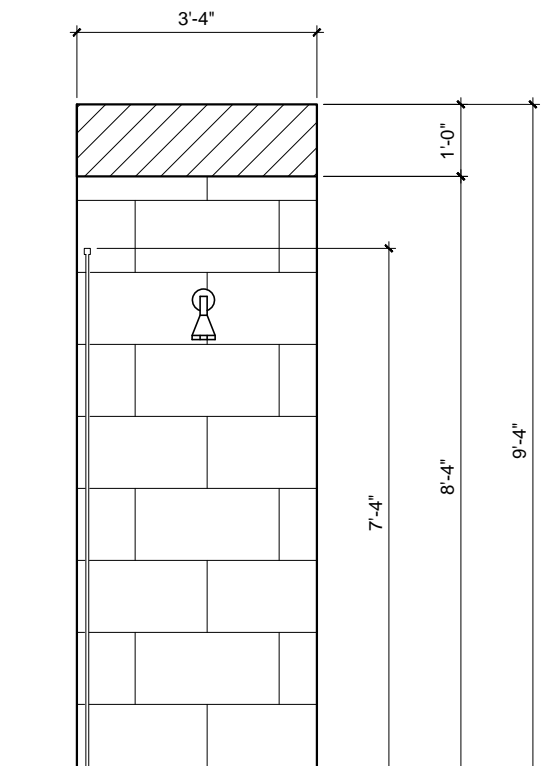
**MASTER BATH VANITY TILE ELEVATION**  
SCALE: 3/8" = 1'-0"  
\*\*NOTE: TILE SPLASH MAY NEED TO SPAN ENTIRE WALL. PLEASE SEE EXHIBIT B.10 FOR FINAL CABINET DRAWINGS.\*\*



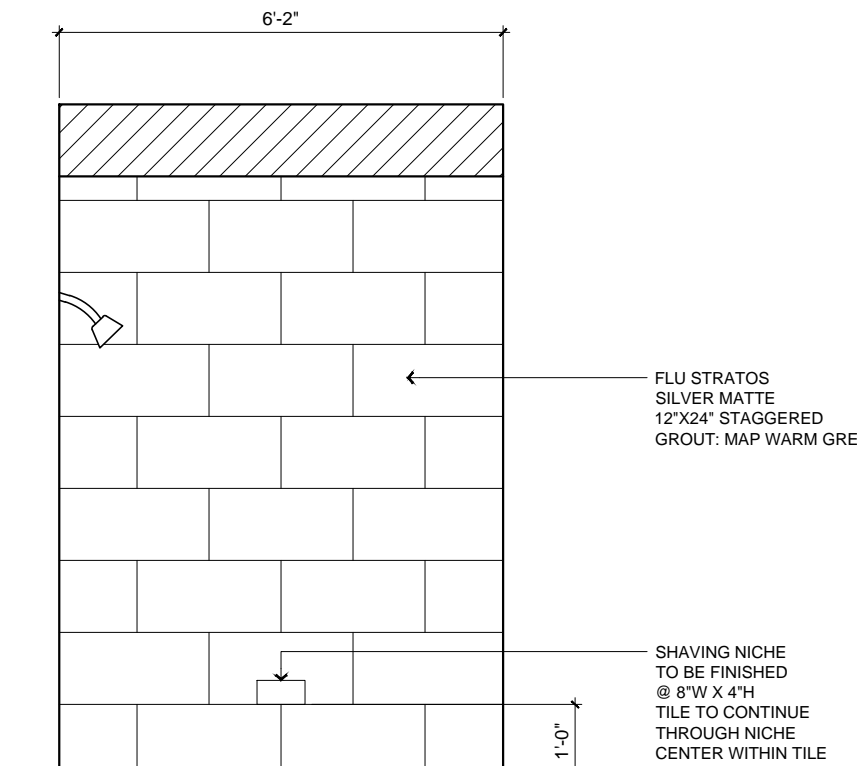
**POWDER BATH #1 TILE DETAILS**  
SCALE: 3/8" = 1'-0"  
CABINETS DRAWN ARE FOR TILE INTENT ONLY. PLEASE REFERENCE EXHIBIT B.10 FOR EXACT CABINET DRAWINGS AND DETAILS.



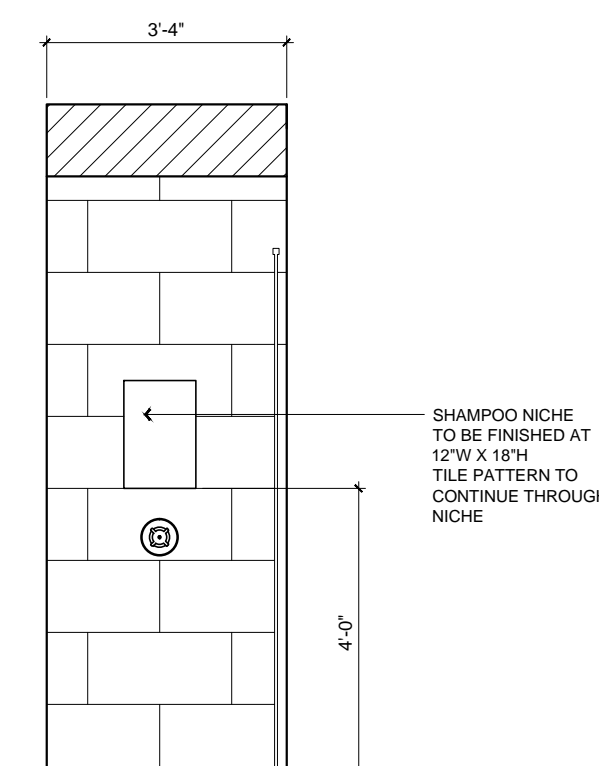
**POWDER BATH #1 TILE DETAILS (SECTION)**  
SCALE: 3/8" = 1'-0"  
CABINETS DRAWN ARE FOR TILE INTENT ONLY. PLEASE REFERENCE EXHIBIT B.10 FOR EXACT CABINET DRAWINGS AND DETAILS.



**GUEST BATH #1 TILE DETAILS**  
SCALE: 3/8" = 1'-0"



**GUEST BATH #1 TILE DETAILS**  
SCALE: 3/8" = 1'-0"



**GUEST BATH #1 TILE DETAILS**  
SCALE: 3/8" = 1'-0"

BRIANNA MICHELLE INTERIOR DESIGN, LLC DRAWINGS AND SPECIFICATIONS REPRESENT INFORMATION PERTAINING TO INTERIOR FINISHES AND DESIGN INTENT ONLY. DIMENSIONS ARE REPRESENTATIVE OF FINISHES MATERIALS AND CONDITIONS. CONTRACTORS AND/OR SUBCONTRACTORS ARE RESPONSIBLE FOR VERIFICATION OF ALL FIELD CONSTRUCTION.

PROJECT # 0050  
DATE 12.12.14  
SCALE AS NOTED  
DRAWN BY: BMJ

FIRST FLOOR TILE ELEVATIONS  
Interior Design for:  
**THE CARNES RESIDENCE**  
LOT 8 - LAKE NONA GOLF AND COUNTRY CLUB

REVISIONS:	DATE	MARK	DESCRIPTION

SHEET NO.

4.1

DATE REV. Brianna M. Jones, ASID

BRIANNA MICHELLE INTERIOR DESIGN, LLC DRAWINGS AND SPECIFICATIONS REPRESENT INFORMATION PERTAINING TO INTERIOR FINISHES AND DESIGN INTENT ONLY. DIMENSIONS ARE REPRESENTATIVE OF FINISHES MATERIALS AND CONDITIONS. CONTRACTORS AND/OR SUBCONTRACTORS ARE RESPONSIBLE FOR VERIFICATION OF ALL FIELD CONSTRUCTION.

PROJECT # 0050  
DATE 12.12.14  
SCALE AS NOTED  
DRAWN BY: BMJ

SECOND FLOOR TILE ELEVATIONS  
Interior Design for:  
**THE CARNES RESIDENCE**  
LOT 8 - LAKE NONA GOLF AND COUNTRY CLUB

PROJECT NAME

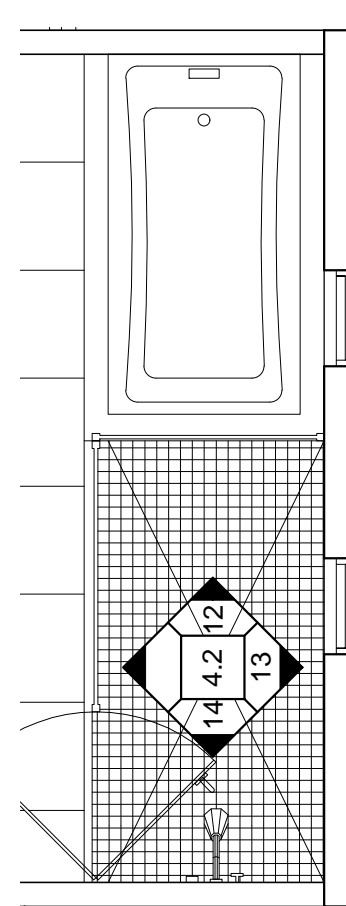
REVISIONS:	DATE	MARK	DESCRIPTION

SHEET NO.

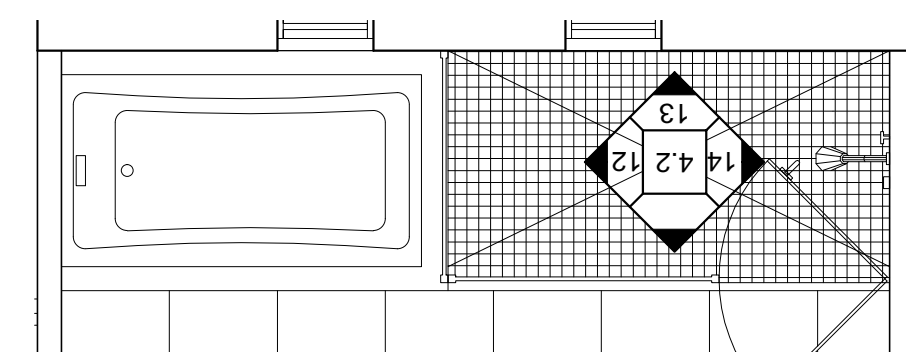
4.2

DATE REV.

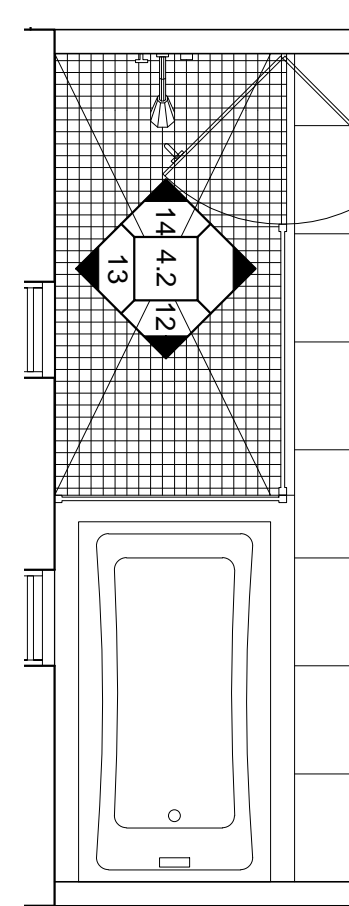
Brianna M. Jones, ASID



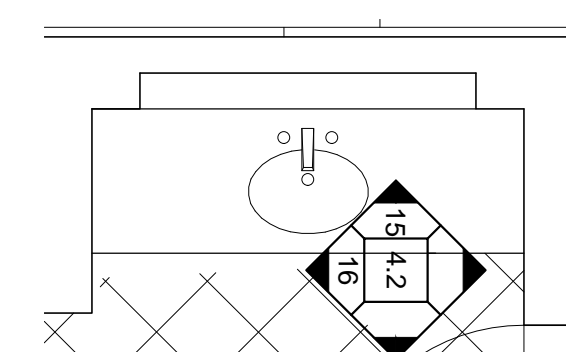
HAYDEN'S BATH PLAN  
SCALE: 3/8" = 1'-0"



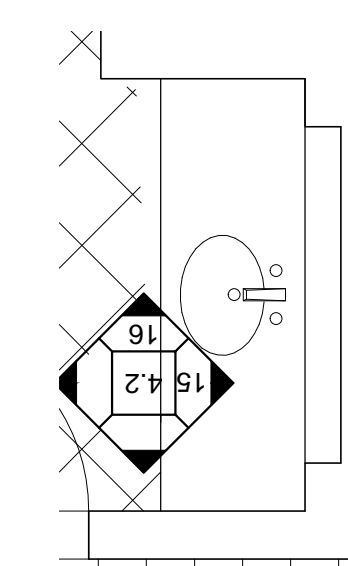
HAYDEN'S BATH PLAN  
SCALE: 3/8" = 1'-0"



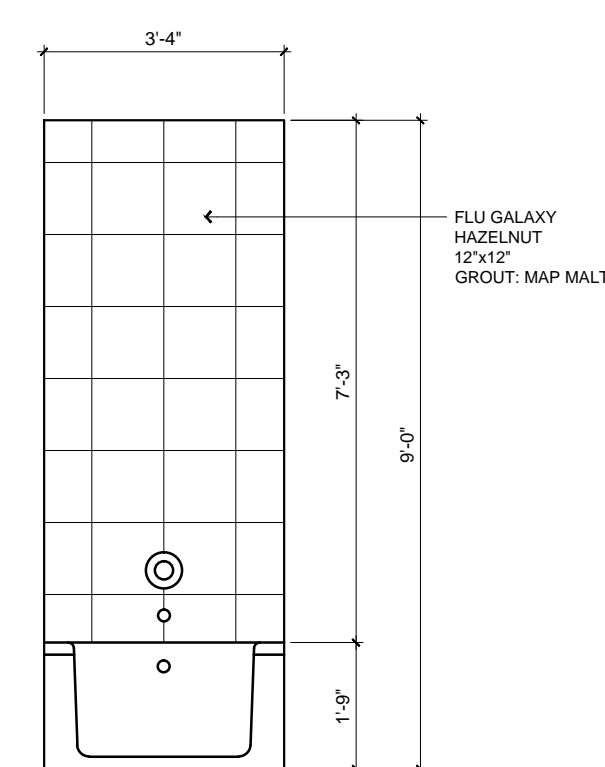
HAYDEN'S BATH PLAN  
SCALE: 3/8" = 1'-0"



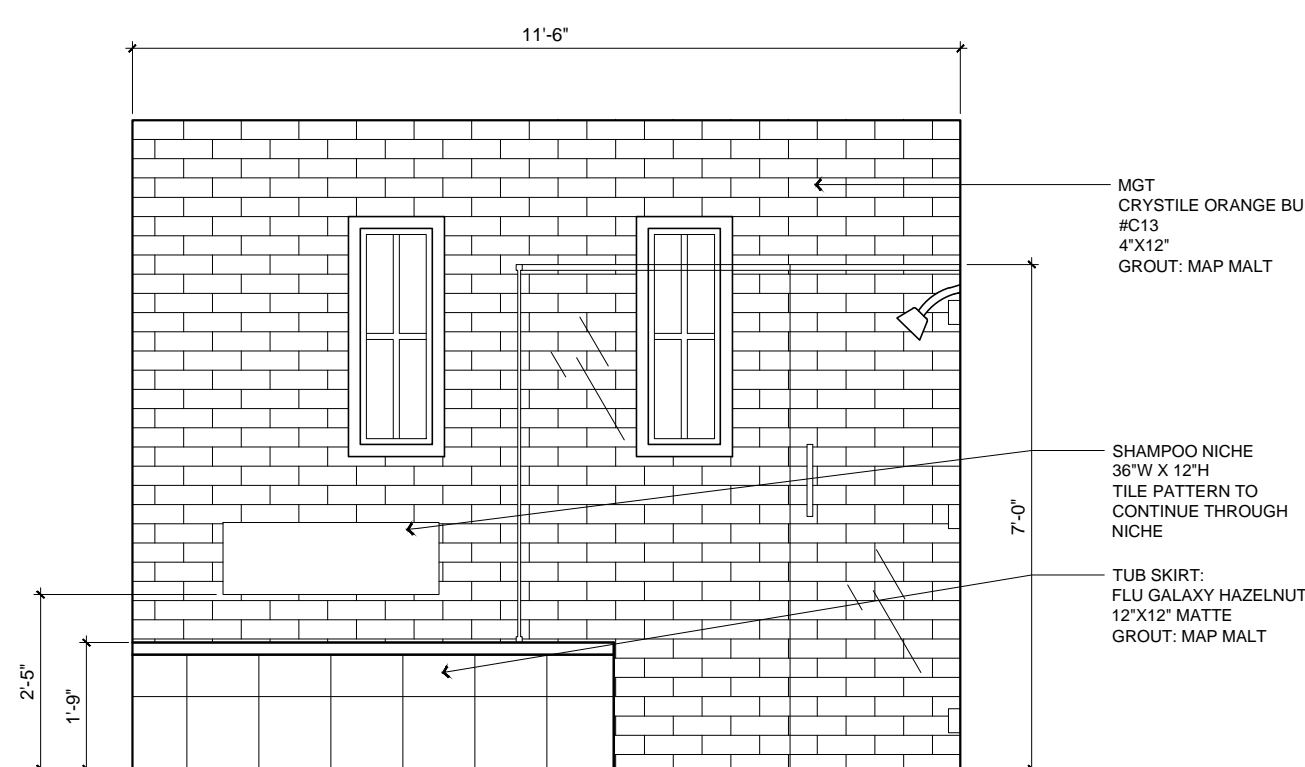
POWDER BATH #2 PLAN  
SCALE: 3/8" = 1'-0"



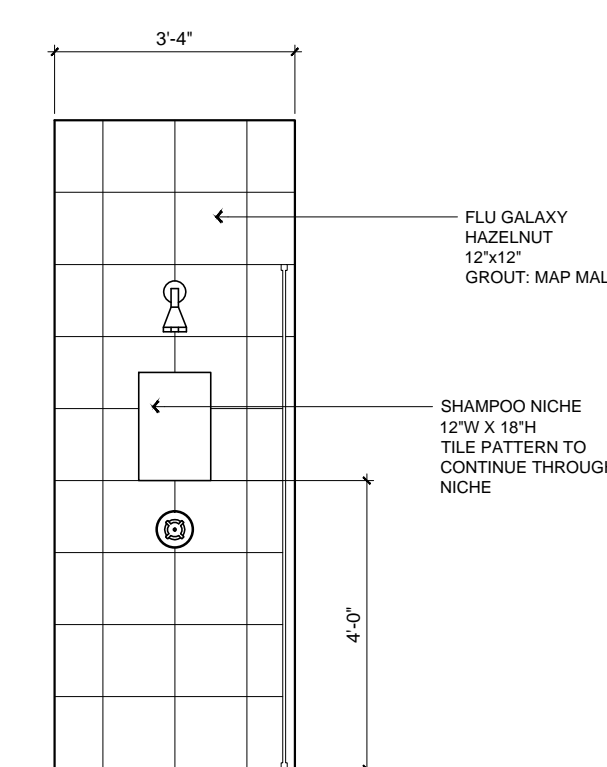
POWDER BATH #2 PLAN  
SCALE: 3/8" = 1'-0"



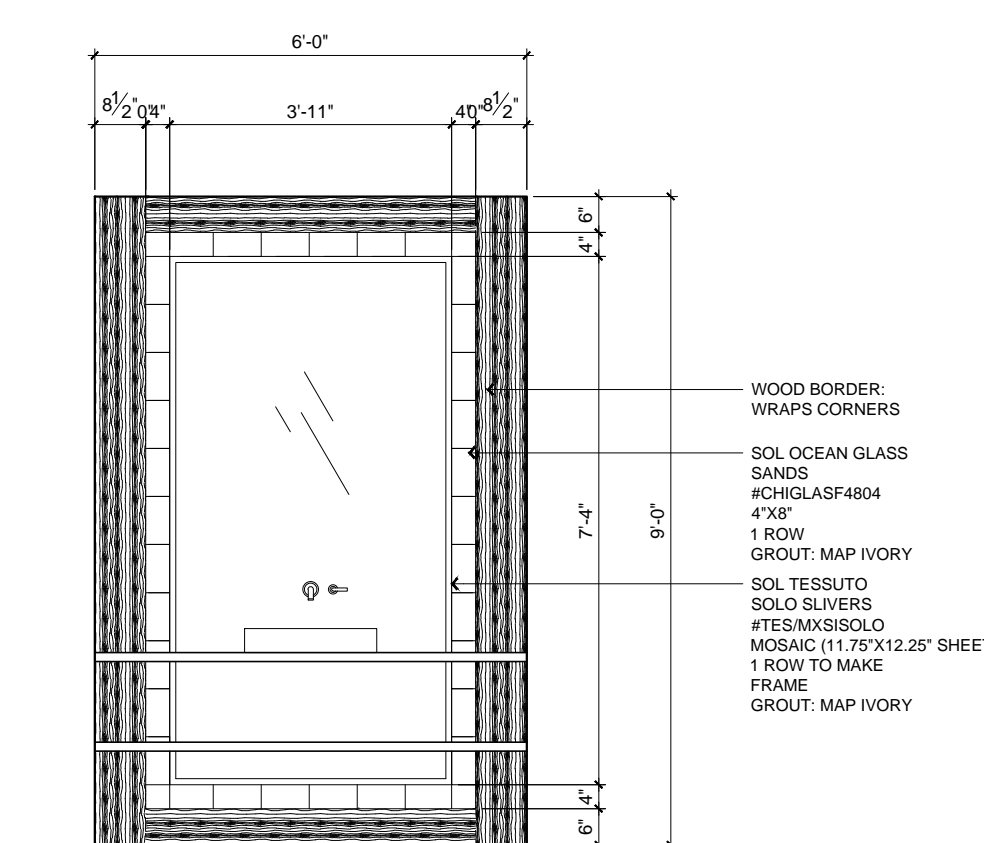
HAYDEN'S BATH TILE DETAILS  
SCALE: 3/8" = 1'-0"  
\*\*NOTE: TUB DECK SLAB SUPPLIED BY OTHERS.\*\*



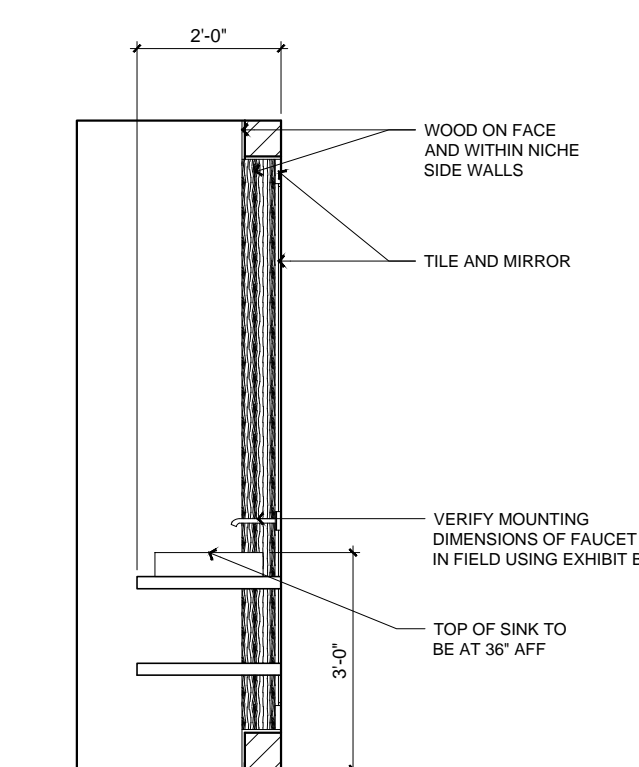
HAYDEN'S BATH TILE DETAILS  
SCALE: 3/8" = 1'-0"  
\*\*NOTE: TUB DECK SLAB SUPPLIED BY OTHERS.\*\*



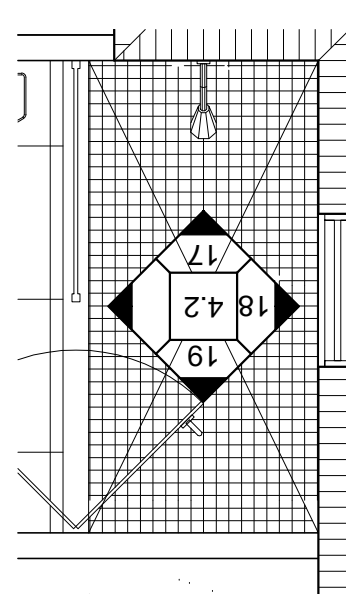
HAYDEN'S BATH TILE DETAILS  
SCALE: 3/8" = 1'-0"



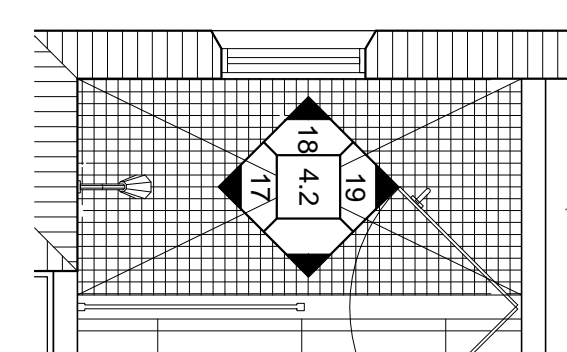
POWDER BATH #2 TILE DETAILS  
SCALE: 3/8" = 1'-0"  
\*\*NOTE: PLUMBING WILL BE INSTALLED FROM WITHIN NICHE.\*\*  
CABINETS DRAWN ARE FOR TILE INTENT ONLY. PLEASE REFERENCE EXHIBIT B.10 FOR EXACT CABINET DRAWINGS AND DETAILS.



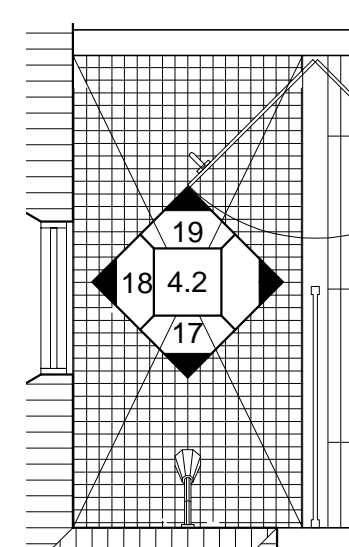
POWDER BATH #2 TILE DETAILS  
SCALE: 3/8" = 1'-0"  
\*\*NOTE: PLUMBING WILL BE INSTALLED FROM WITHIN NICHE.\*\*  
CABINETS DRAWN ARE FOR TILE INTENT ONLY. PLEASE REFERENCE EXHIBIT B.10 FOR EXACT CABINET DRAWINGS AND DETAILS.



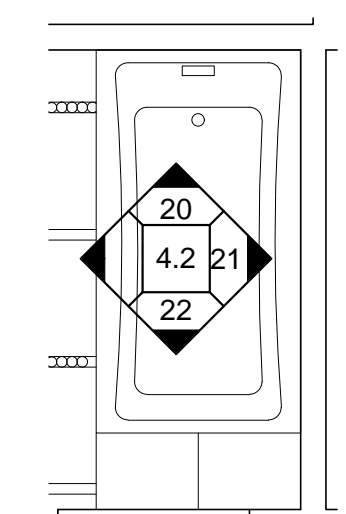
GUEST BATH #2 PLAN  
SCALE: 3/8" = 1'-0"



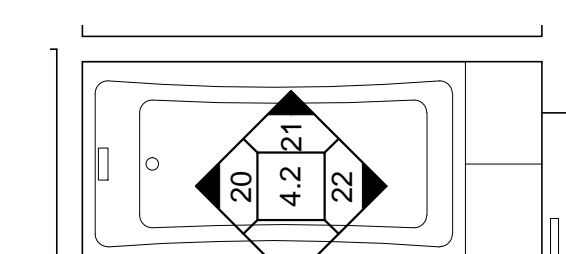
GUEST BATH #2 PLAN  
SCALE: 3/8" = 1'-0"



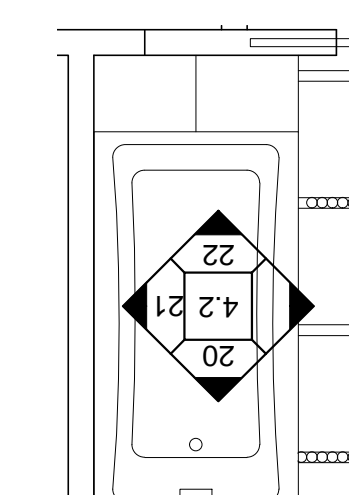
GUEST BATH #2 PLAN  
SCALE: 3/8" = 1'-0"



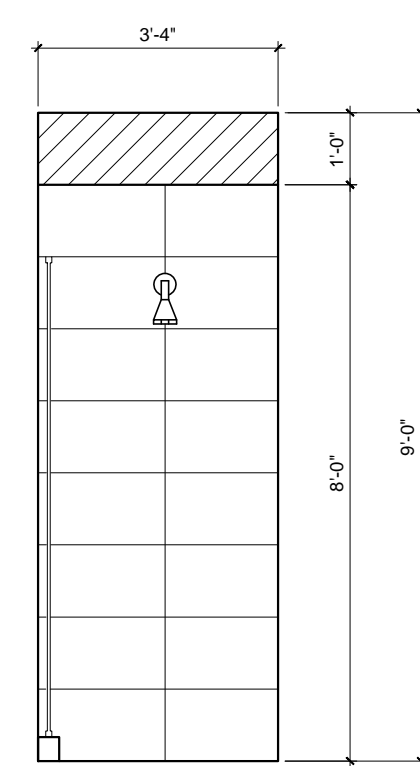
GUEST BATH #3 PLAN  
SCALE: 3/8" = 1'-0"



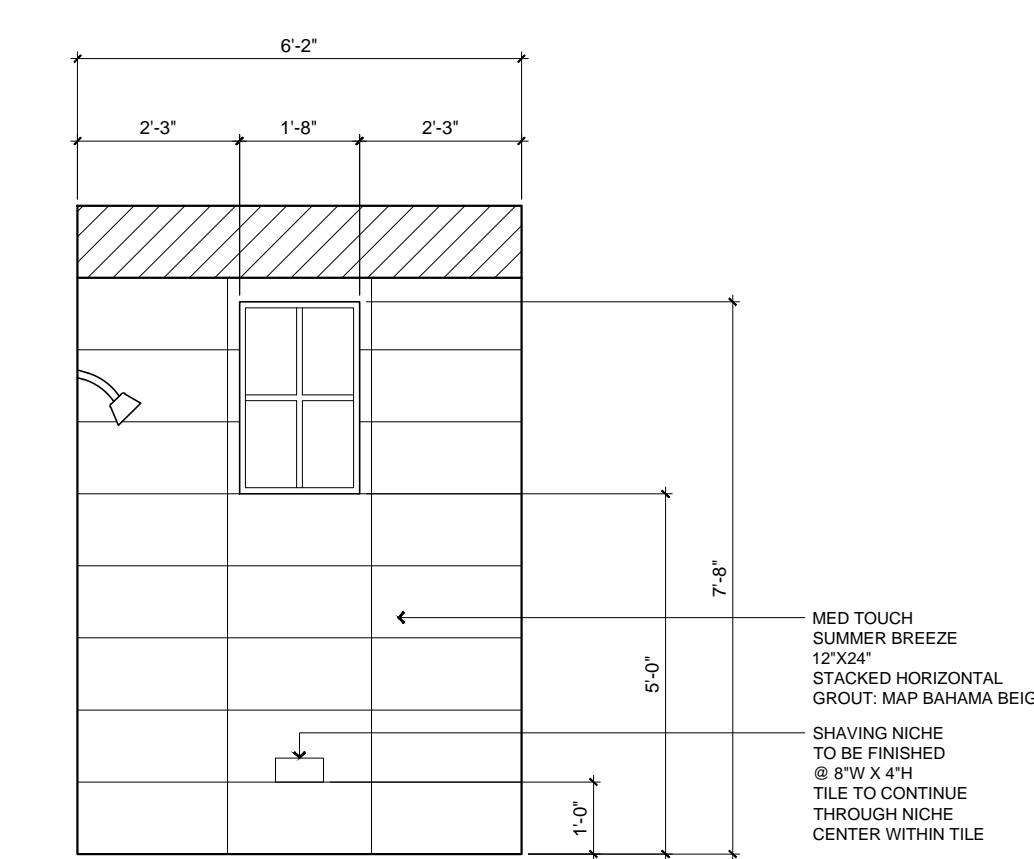
GUEST BATH #3 PLAN  
SCALE: 3/8" = 1'-0"



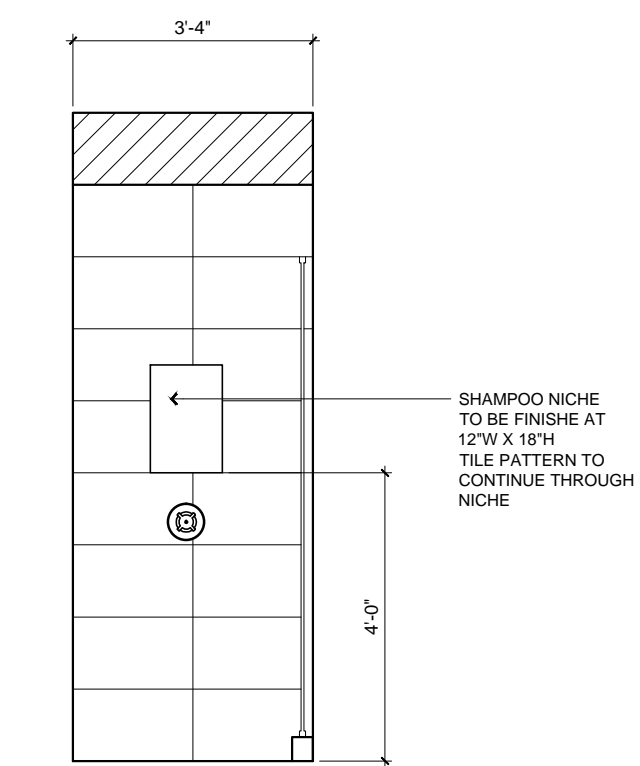
GUEST BATH #3 PLAN  
SCALE: 3/8" = 1'-0"



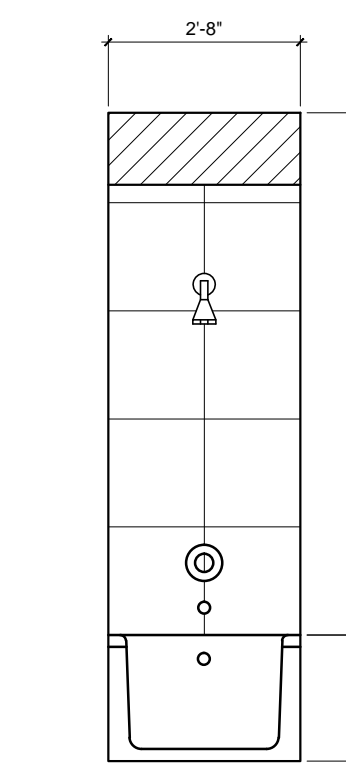
GUEST BATH #2 TILE DETAILS  
SCALE: 3/8" = 1'-0"



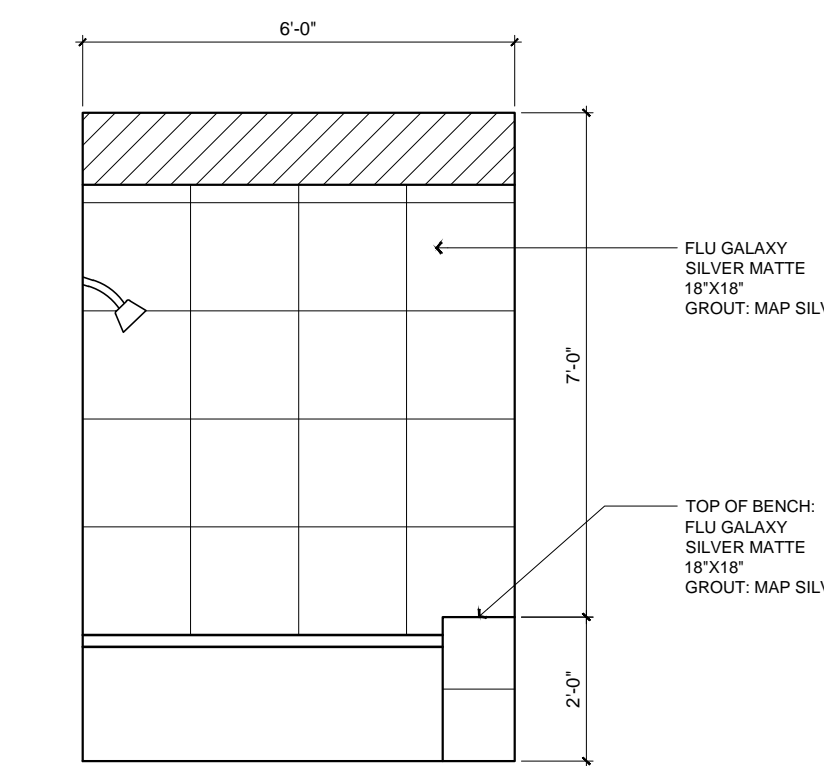
GUEST BATH #2 TILE DETAILS  
SCALE: 3/8" = 1'-0"



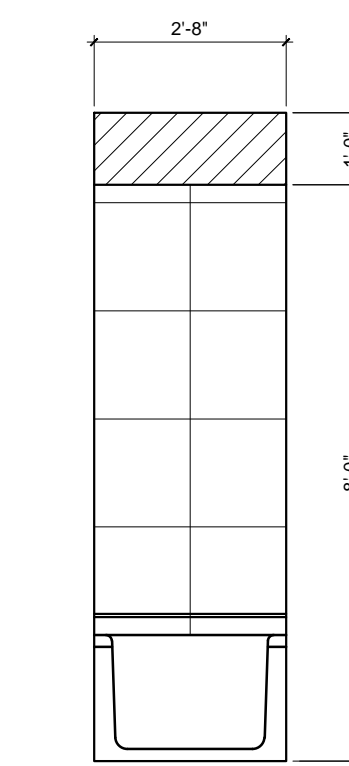
GUEST BATH #2 TILE DETAILS  
SCALE: 3/8" = 1'-0"



GUEST BATH #3 TILE DETAILS  
SCALE: 3/8" = 1'-0"



GUEST BATH #3 TILE DETAILS  
SCALE: 3/8" = 1'-0"



GUEST BATH #3 TILE DETAILS  
SCALE: 3/8" = 1'-0"