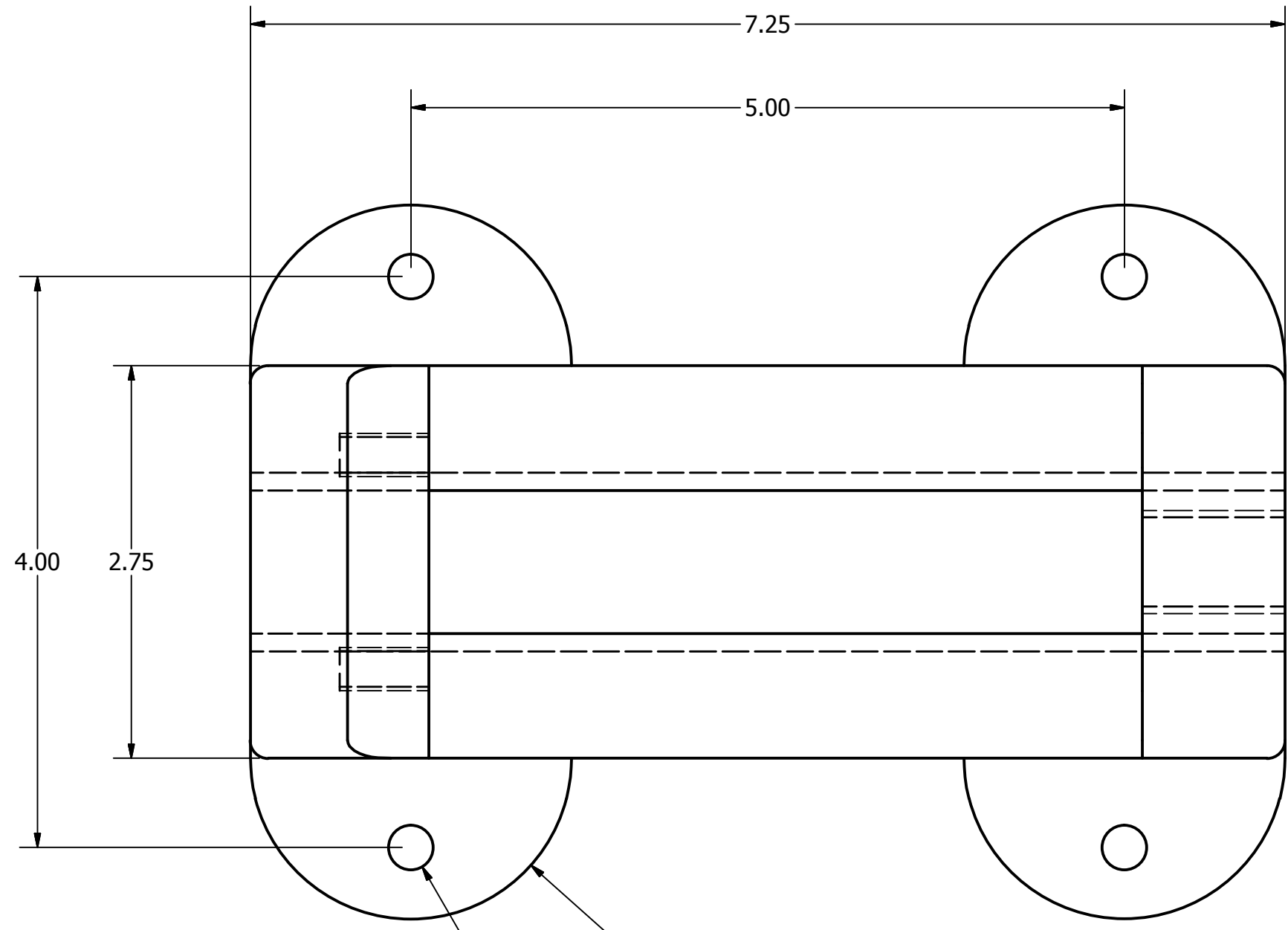


PARTS LIST	
ITEM	TITLE
1	1-BASE

D

D

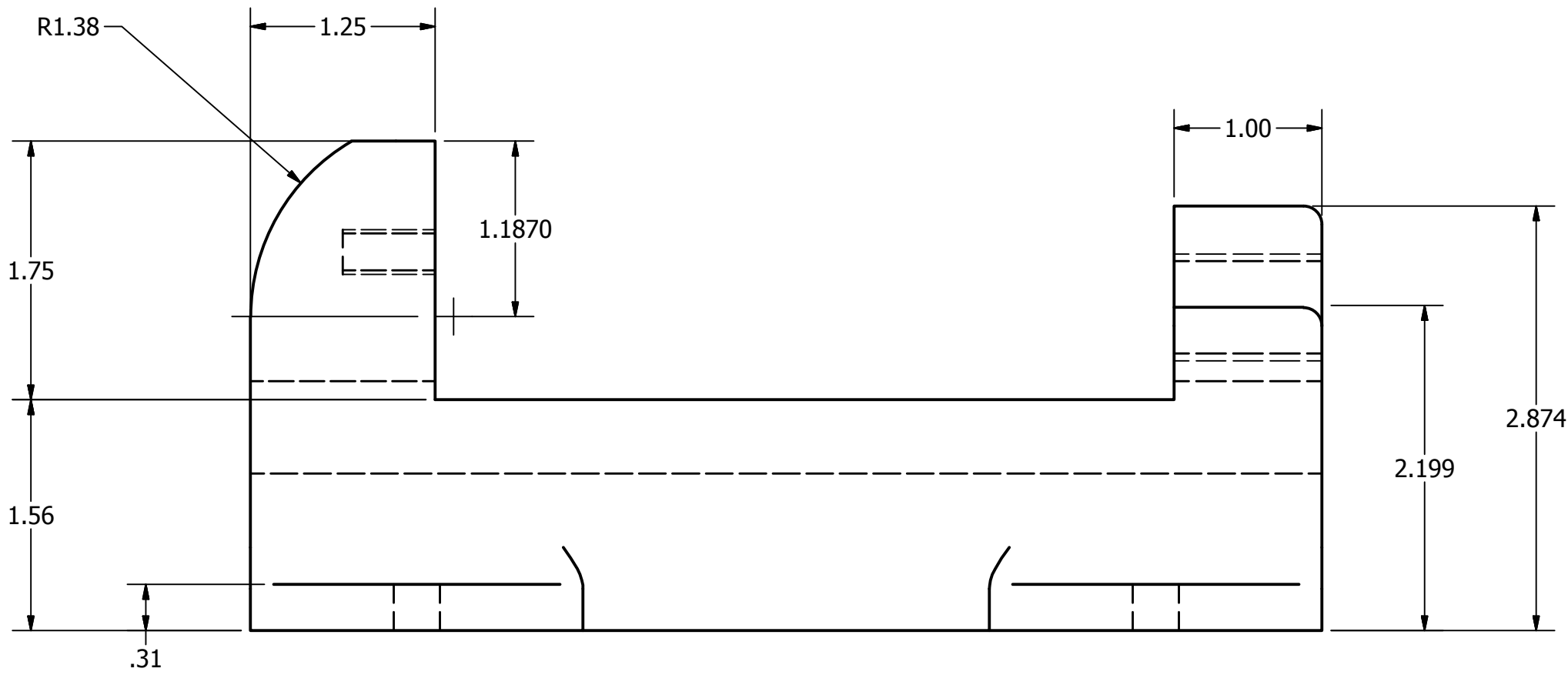


C

C

B

B

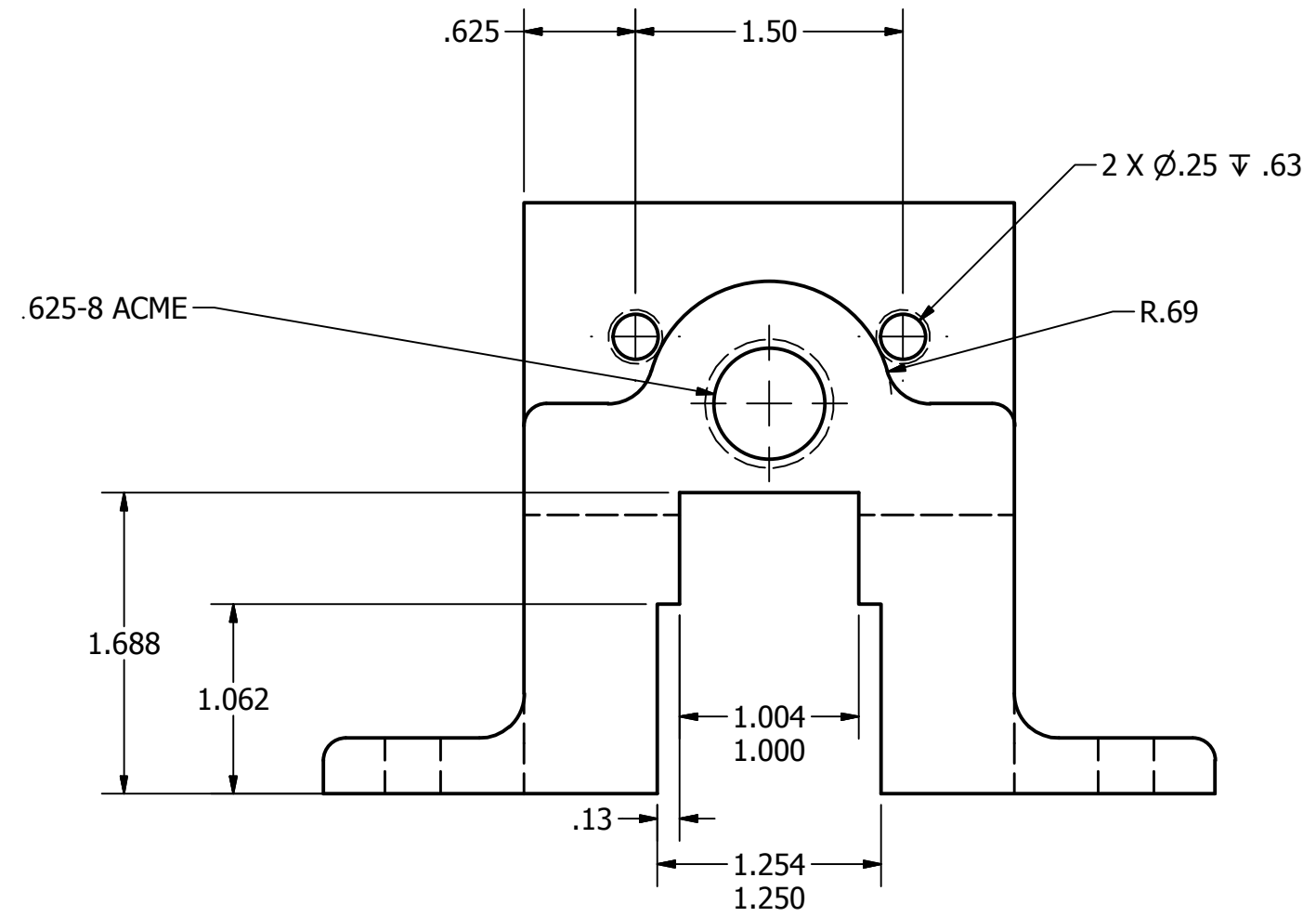


B

B

A

A



ITT TECHNICAL INSTITUTE		
SHEET 3 OF 7		
FINAL		
DWG NUMBER	ASSEMBLED VISE	SIZE: C
DRAWN BY: PI	SCALE: 1:1	7/12/2012