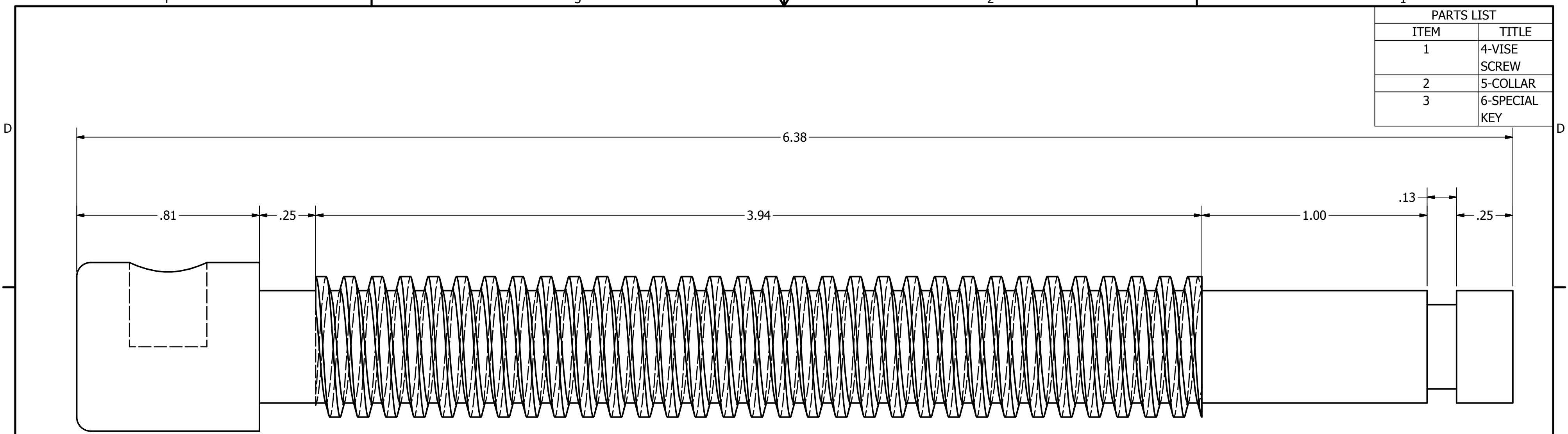
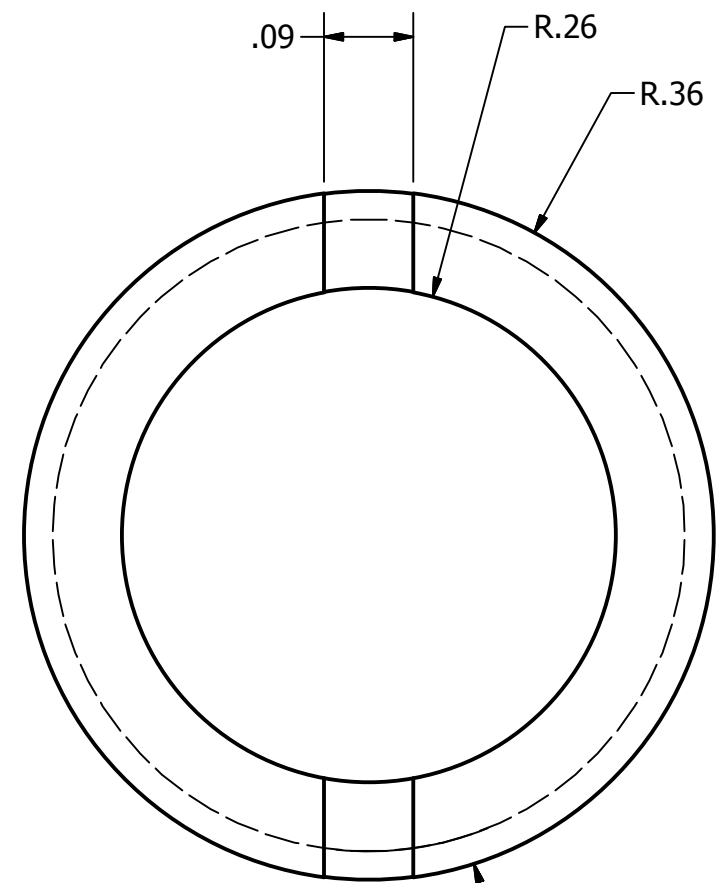
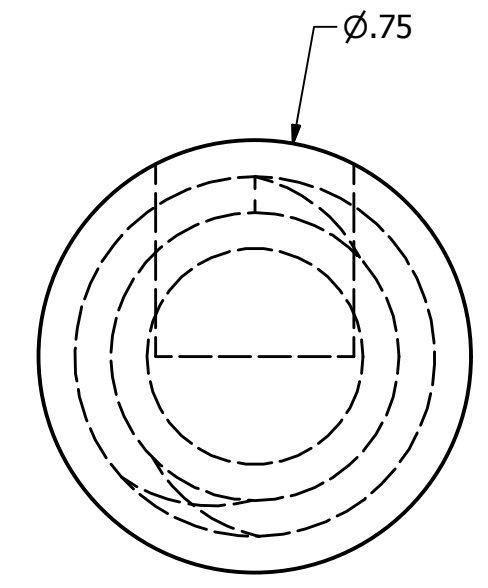


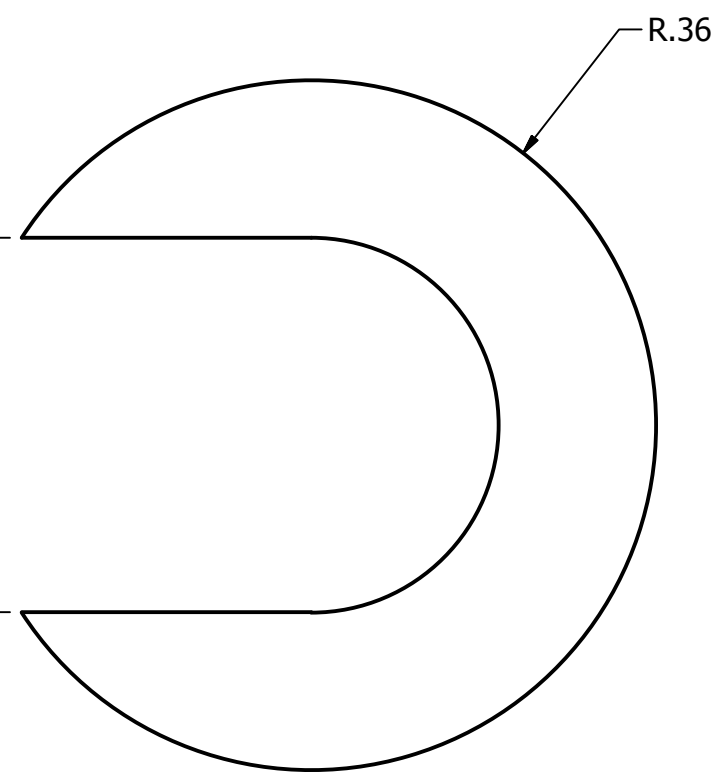
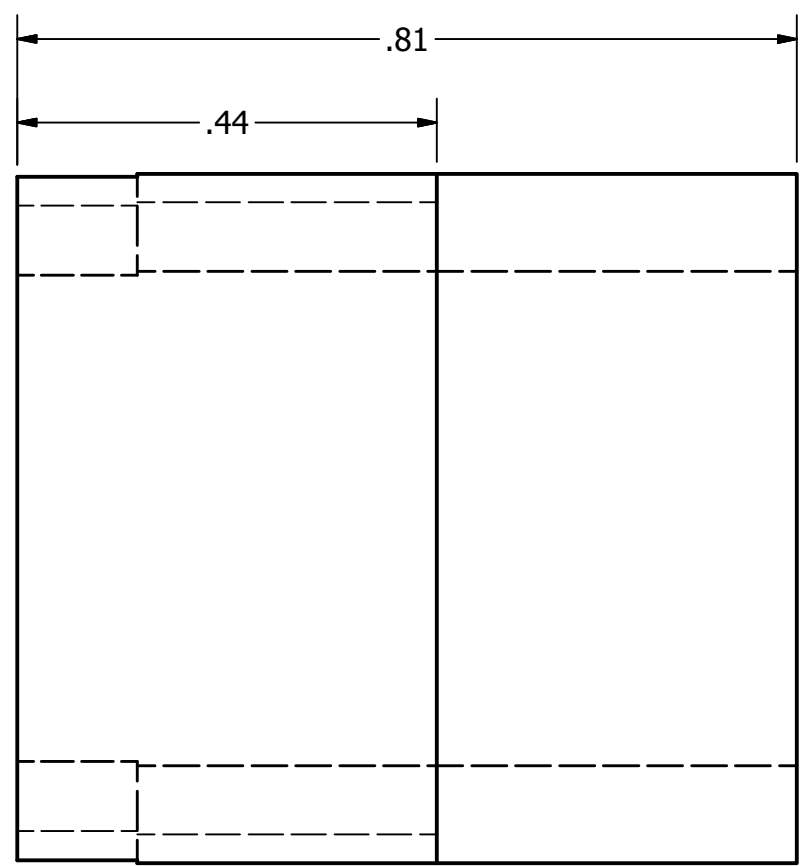
PARTS LIST	
ITEM	TITLE
1	4-VISE SCREW
2	5-COLLAR
3	6-SPECIAL KEY



WISE SCREW
SCALE 3:1



COLLAR
SCALE 5:1



SPECIAL KEY
SCALE 5:1

ITT TECHNICAL INSTITUTE SHEET 5 OF 7		
FINAL		
DWG NUMBER	ASSEMBLED VISE	SIZE: C
DRAWN BY: PI	SCALE: AS SEEN	7/12/2012

PRODUCED BY AN AUTODESK EDUCATIONAL PRODUCT

PRODUCED BY AN AUTODESK EDUCATIONAL PRODUCT