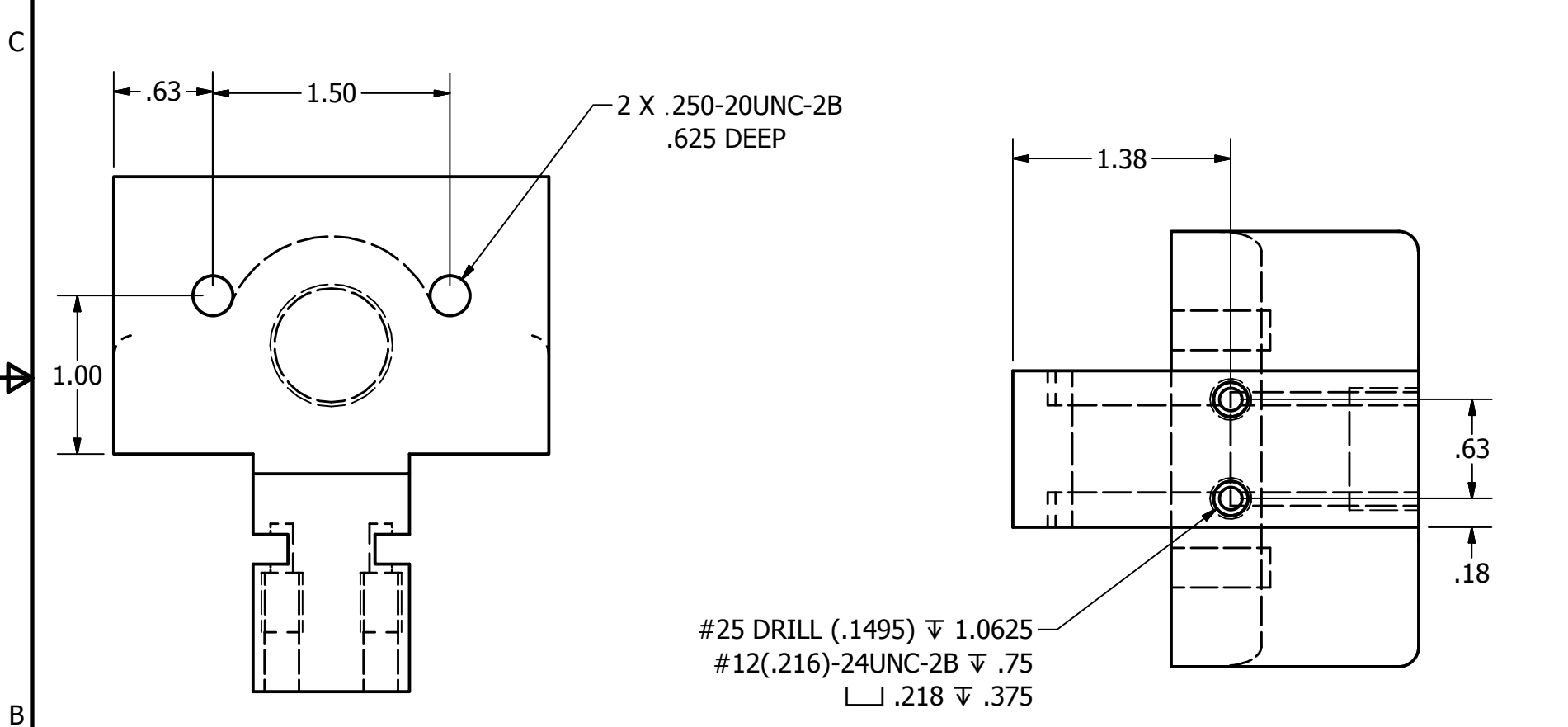
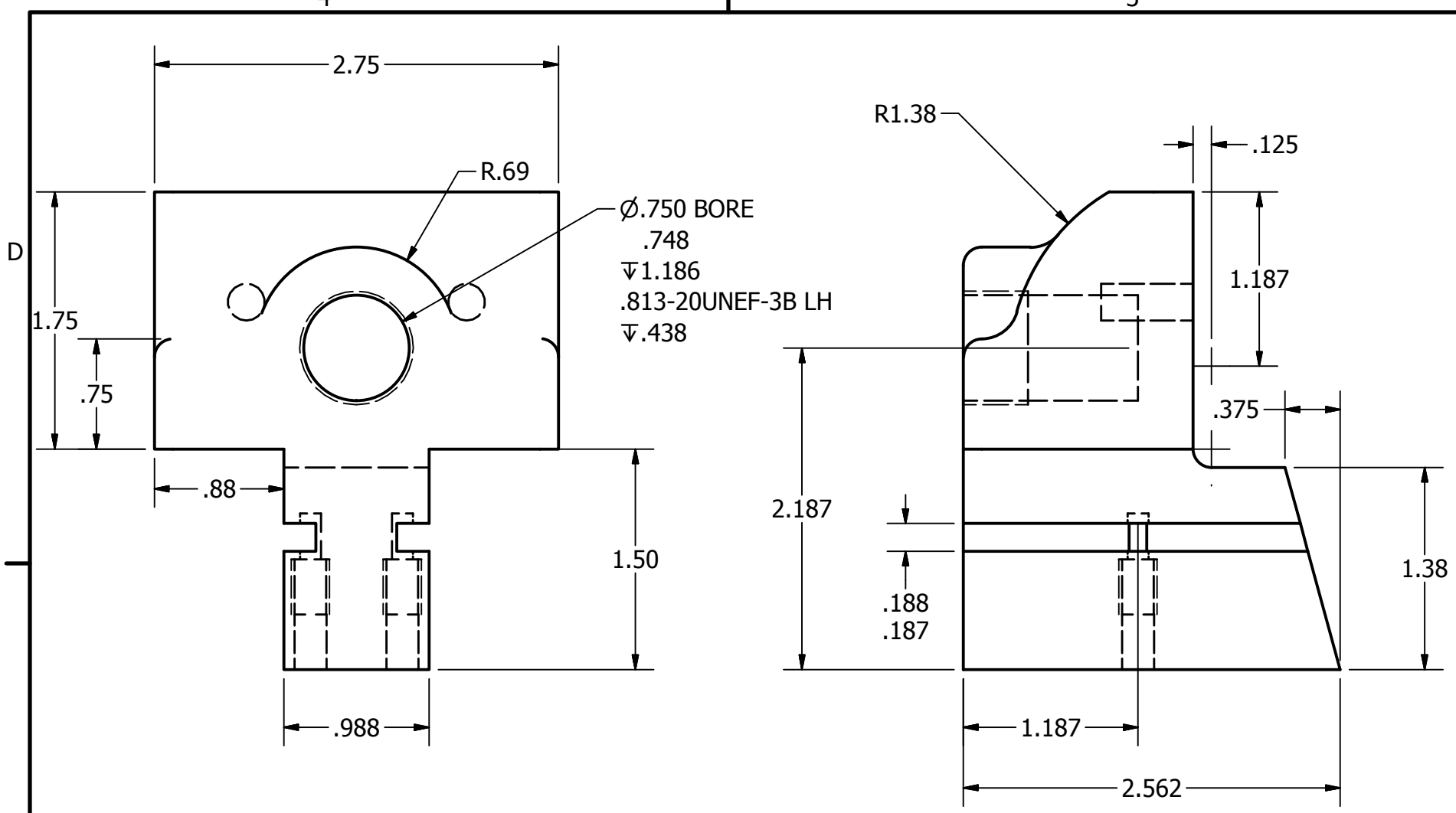
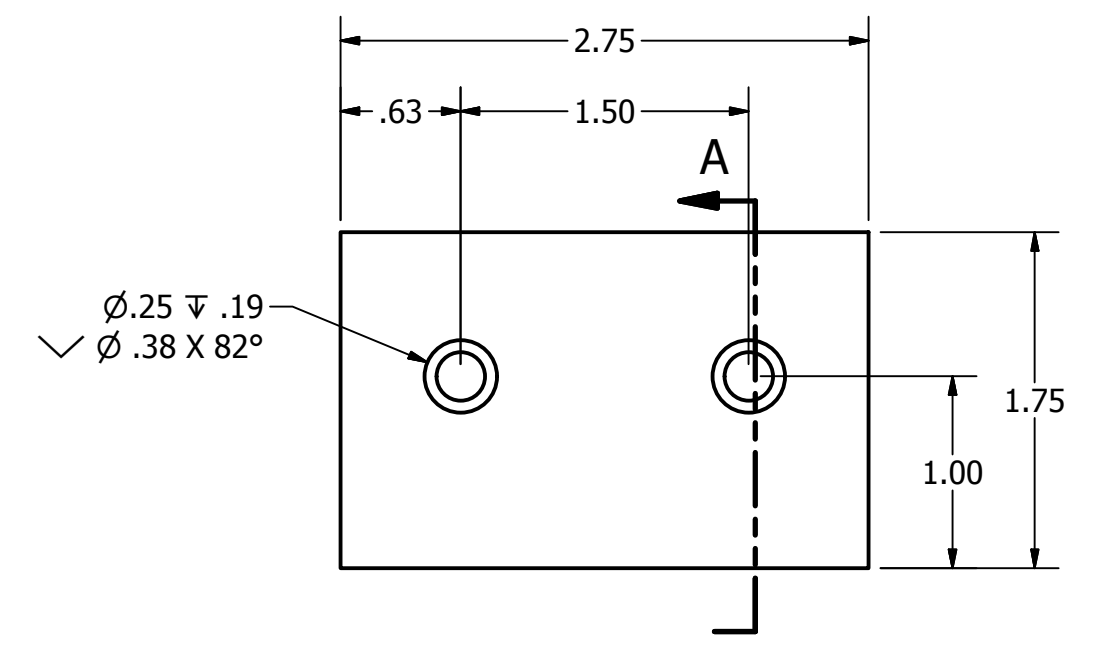


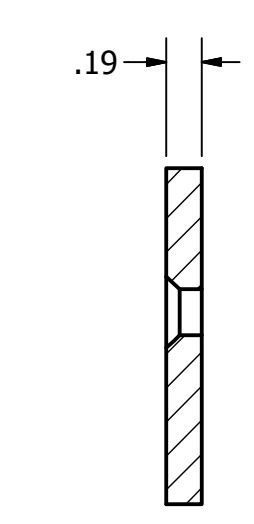
PARTS LIST	
ITEM	TITLE
1	2-SLIDING JAW
2	3-JAW PLATE



SLIDING JAW
SCALE 1:1



JAW PLATE
SCALE 1:1



SECTION A-A
SCALE 1 : 1

- #25 DRILL (.1495) ∇ 1.0625
- #12(.216)-24UNC-2B ∇ .75
- \square .218 ∇ .375

ITT TECHNICAL INSTITUTE SHEET 4 OF 7		
FINAL		
DWG NUMBER	ASSEMBLED VISE	SIZE: C
DRAWN BY: PI	SCALE: 1:1	7/12/2012