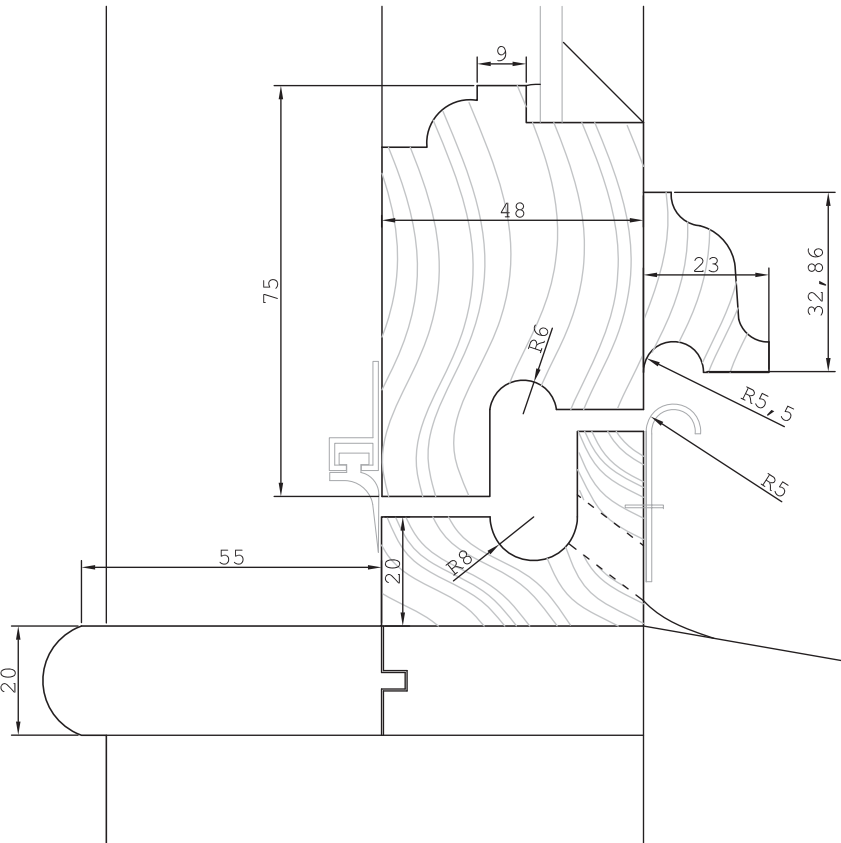
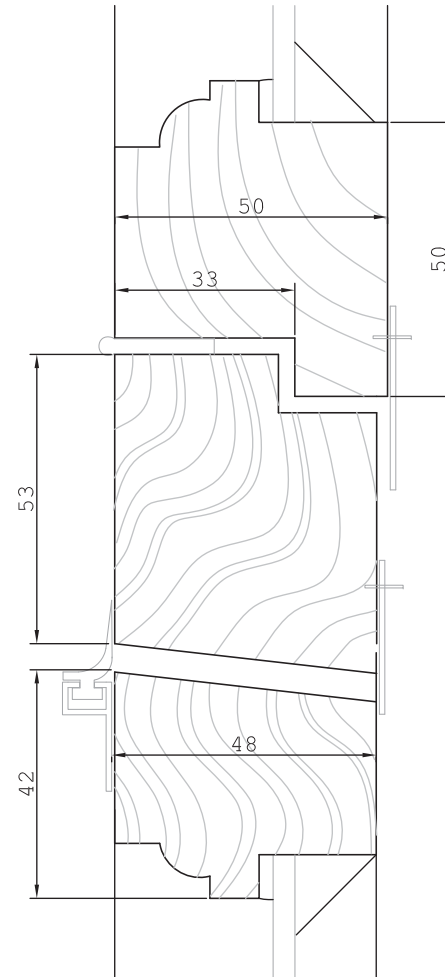


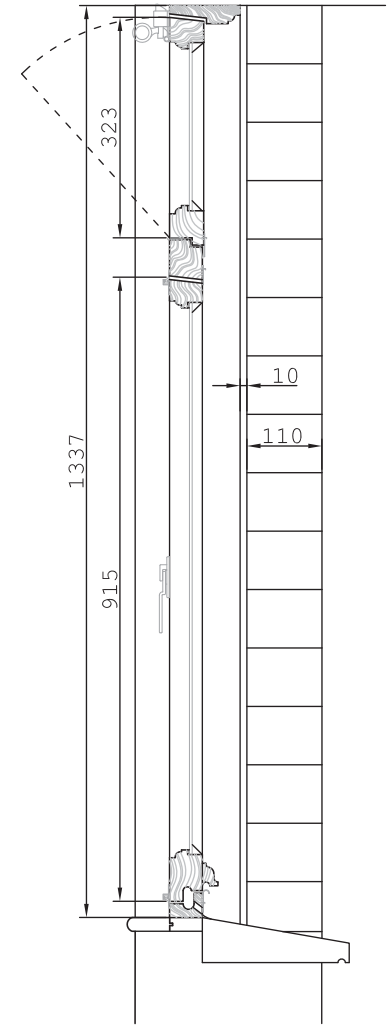
**1** WINDOW TOP  
SCALE: 1:1



**2** WINDOW BASE  
SCALE: 1:1



**3** WINDOW MIDDLE  
SCALE: 1:1



**4** WINDOW FULL VIEW  
SCALE: 1:8

Notes:			
Project: Nurses Home Leeson Street			
Client: Office of Public Works			
Drawing Title: Typical Casement Window Details			
Drawing no.	Scale	Job no.	Date
54	1:1		March 2014