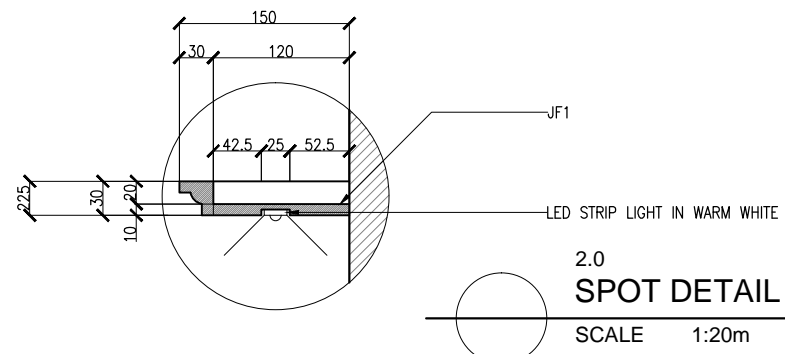
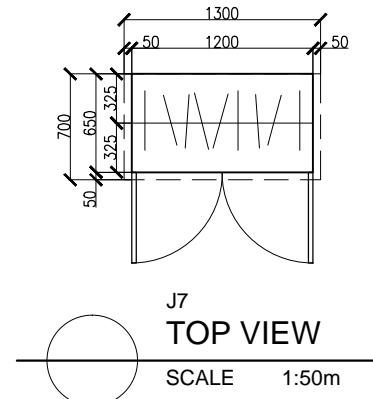


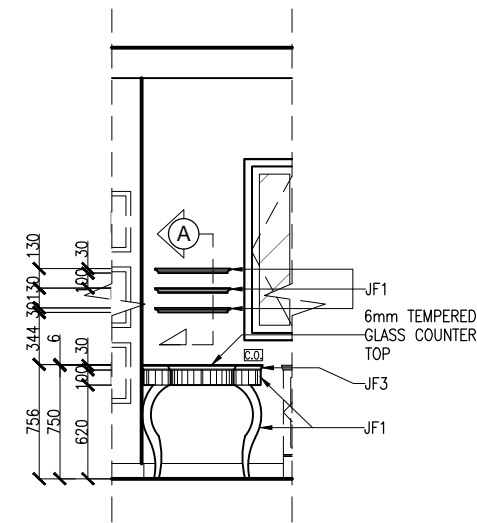
J6
TOP VIEW
SCALE 1:50m



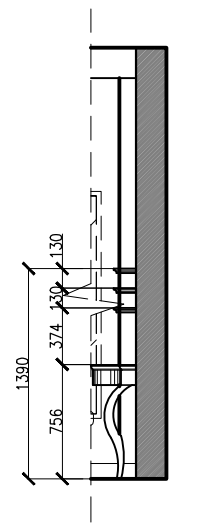
2.0
SPOT DETAIL
SCALE 1:20m



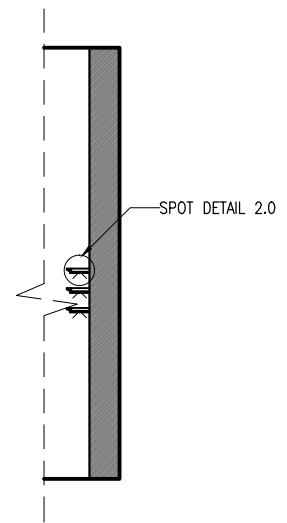
J7
TOP VIEW
SCALE 1:50m



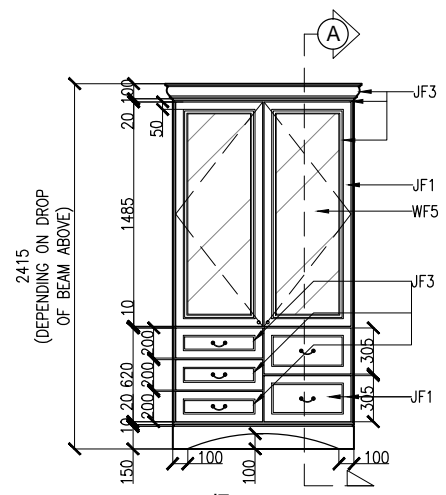
J6
FRONT VIEW
SCALE 1:50m



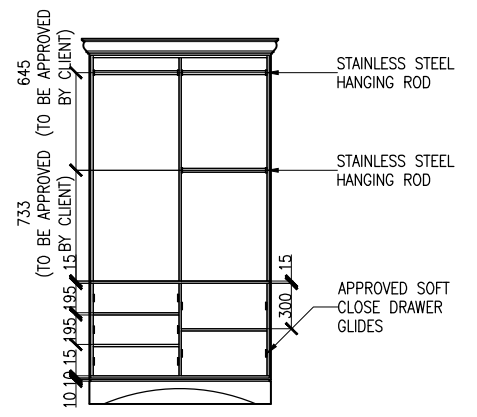
J6
FRONT VIEW
SCALE 1:50m



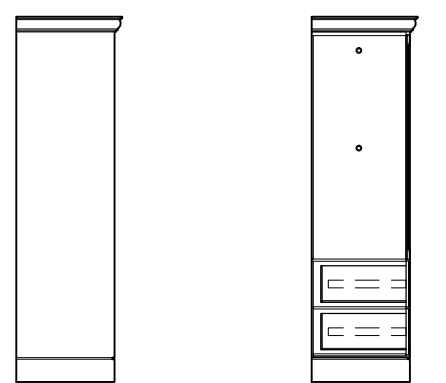
J6
SIDE VIEW
SCALE 1:50m



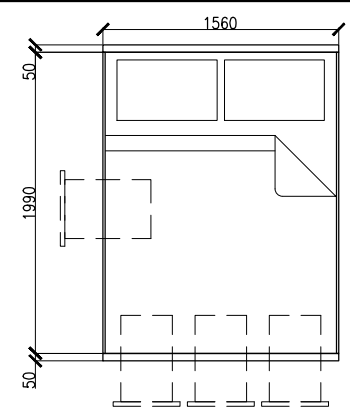
J7
FRONT VIEW
SCALE 1:50m



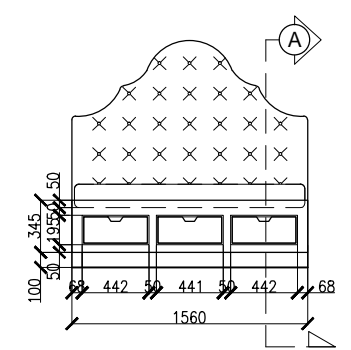
J7 W/O DOORS
FRONT VIEW
SCALE 1:50m



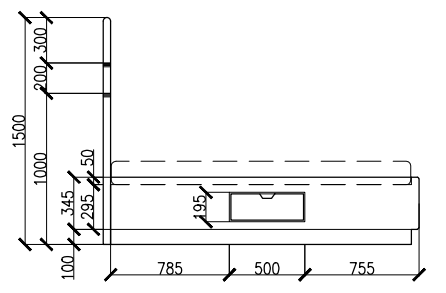
J7
SIDE VIEW
SCALE 1:50m



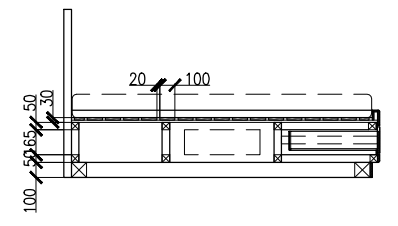
J8
TOP VIEW
SCALE 1:50m



J8
FRONT VIEW
SCALE 1:50m



J8
SIDE VIEW
SCALE 1:50m



SECTION A
SCALE 1:50m

	IDR. DOROTHY TAN SAN JUAN	PROJECT TITLE:	OWNER:	ADDRESS:	SHEET CONTENTS:	DESIGNED BY:	D. TAN	SHEET NO.
		STUDIO UNIT	MA. KATRINA C. DE RIVERA	18H MORGAN SUITES EXECUTIVE RESIDENCES FLORENCE WAY 1634 MCKINLEY HILL, TAGUIG, METRO MANILA	JOINERY DETAIL OF J6-J8	COORDINATED BY:	D. TAN	
						SCALE:	1:50m	
						DATE:	2017-02-03	
						DATE PRINTED:	2017-02-04	